



# JBL LX55

## SPECIFICATIONS

### ACOUSTIC & ELECTRICAL SPECIFICATIONS:

- Nominal Impedance: 8 ohm
- Power Rating: 10W to 200W
- Frequency Response: 40 Hz to 20 kHz
- Sensitivity: 92 dB SPL\*
- Crossover Frequencies: 800 Hz/4 kHz

### SYSTEM COMPONENTS:

- Cabinet: 70530-01 (Blk Ash)  
70530-02 (Walnut)
- Grille: 70685
- Low Frequency Transducer: 254mm (10.0 in.) High Polymer Laminate (410G)

\*1 Watt (2.83 V RMS) @ 1 Meter

### SYSTEM COMPONENTS: (cont'd)

- Mid Frequency Transducer: 127mm (5 in.) High Polymer Laminate (405G)
- High Frequency Transducer: 25mm (1 in.) Pure Titanium Dome (026Ti)
- Crossover Network: 70672

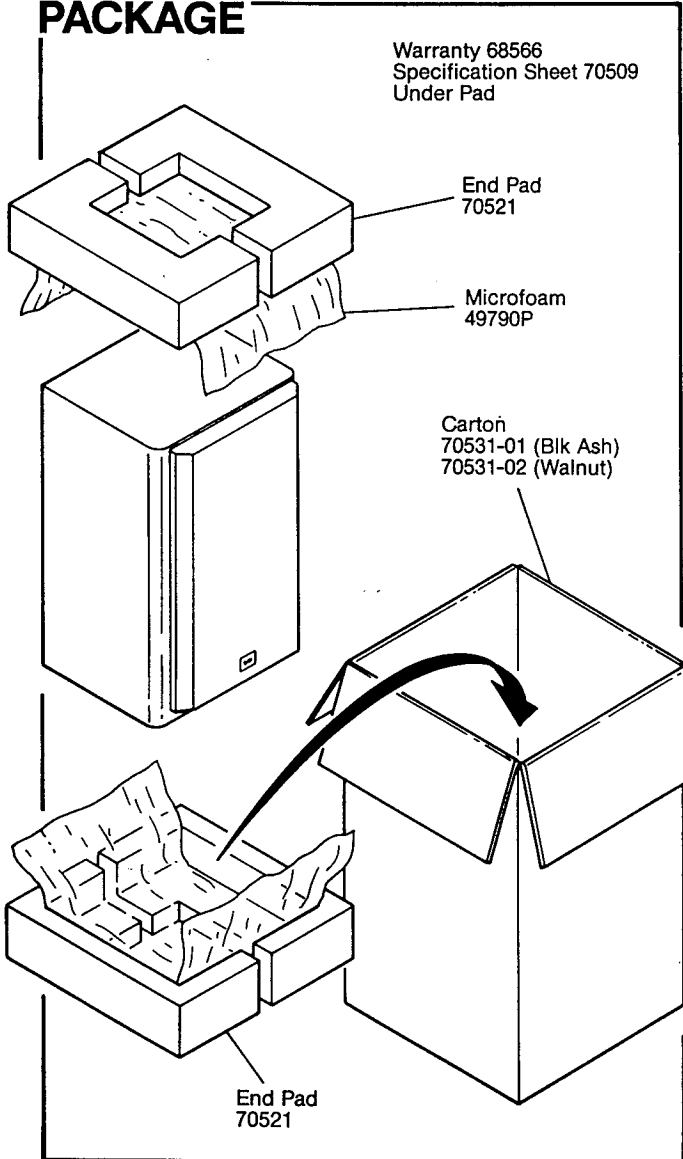
### PHYSICAL SPECIFICATIONS:

- Enclosure Dimensions: 660mm x 343mm x 298mm D (26.25 x 13.75 x 11.75 in. D)
- Shipping Weight: 62 lbs.

### WARRANTY INFORMATION:

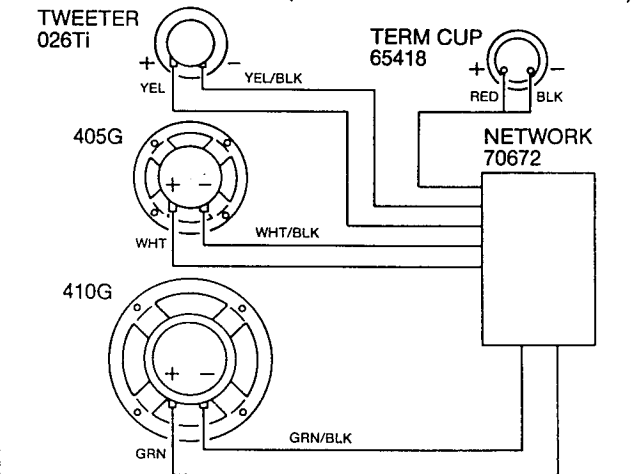
- Refer to the Warranty Statement packed with each product.

## PACKAGE

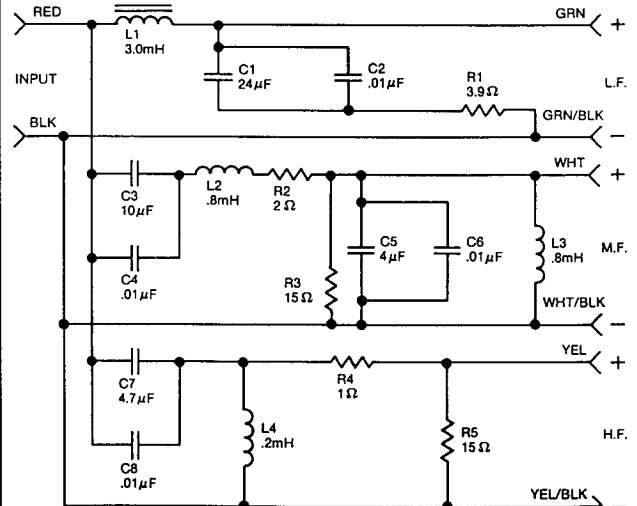


## WIRING DIAGRAM

(NETWORK ASSY PART NO. 70672)



### SCHEMATIC LX55



NOTE: Individual parts for the above crossover are not available. A complete replacement assembly should be ordered.

JBL LX55 REV A

DRIVER	TEST VOLTAGE	SWEEP FREQUENCY	DCR MIN-MAX.
026Ti	2	2KHZ-20KHZ	3.5-4.2 OHMS
405G	4	20HZ-5KHZ	4.1-4.5 OHMS
410G	4	20HZ-20KHZ	4.5-5.0 OHMS

# JBL LX55

## COMPONENT EXPLODED VIEW

