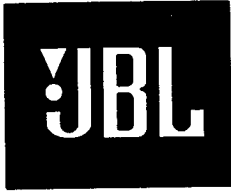


LX70



SPECIFICATIONS

ACOUSTIC & ELECTRICAL SPECIFICATIONS:

- * Nominal Impedance: 6 ohm
- * Recommended Amp Power: 10-175W
- * Frequency Response: 35 Hz - 20 kHz (-6dB)
- * Sensitivity: 88 dB / 2,83V / 1 m
- * Crossover frequency: 600 HZ / 2,5 KHZ

SYSTEM COMPONENTS:

- * Cabinet: CLX70 (Not for sale)
- * Grille: GLX70 (2409390)
- * Woofer: LX210-497 210mm Woofer
38mm voice coil
- DC Resistance: 5 ohm
- * Midrange: LX130-97M 130mm Midrange
30mm voice coil

SYSTEM COMPONENTS: (cont'd)

- DC Resistance: 4,6 ohm
- * Tweeter: LX026T-97 25mm
Titanium Dome Tweeter
- DC Resistance: 4,3 ohm
- * Crossover Network: NLX70 (2709360)

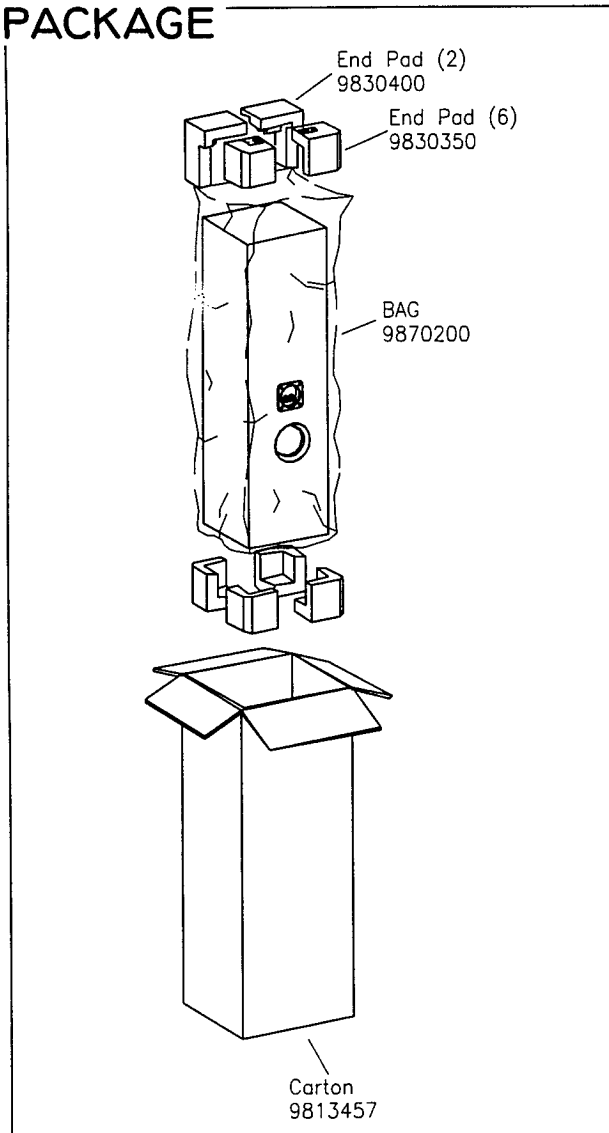
PHYSICAL SPECIFICATIONS:

- * Enclosure Dimensions (H.W.D): 37x10,4x12,2 In. D
(940x264x309mm D)
- * Shipping Weight: 44 lbs. (20 kg.)

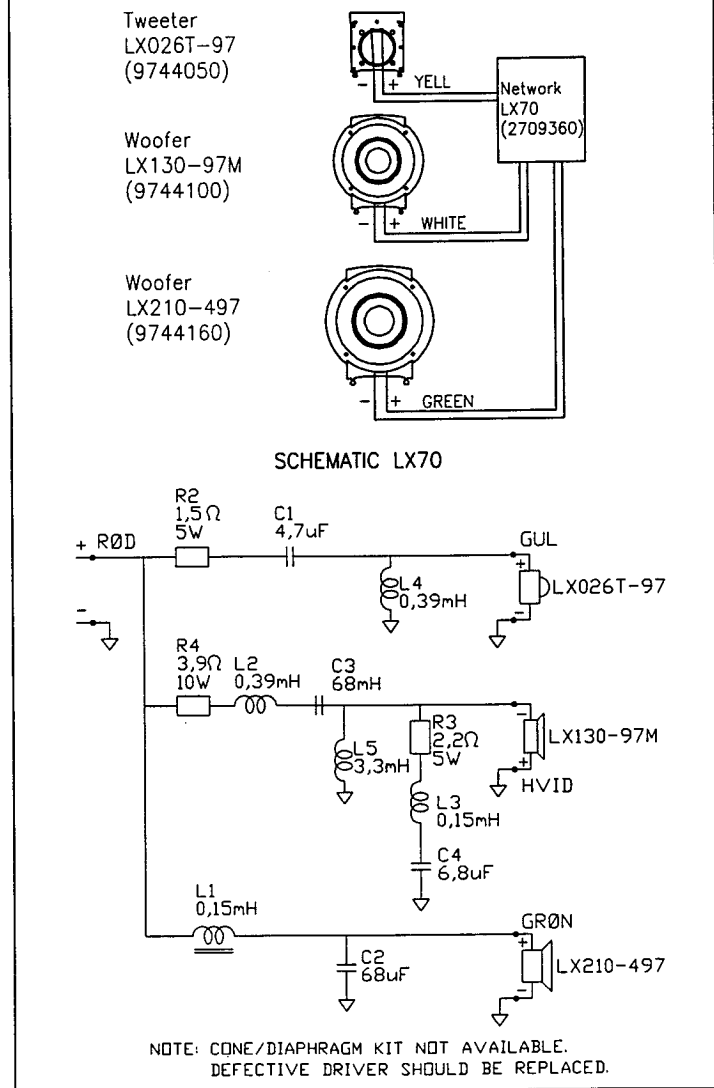
WARRANTY INFORMATION:

- * Refer to the Warranty Statement packed with each product

PACKAGE



WIRING DIAGRAM



LX70

Valid from serial no. 01001
Rev. 20/11-1997

LX70

COMPONENT EXPLODED VIEW

