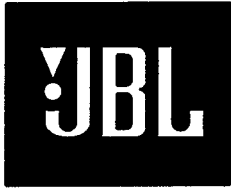


LX8



SPECIFICATIONS

ACOUSTIC & ELECTRICAL SPECIFICATIONS:

- * Nominal Impedance: 6 ohm
- * Recommended Amp Power: 10-200W
- * Frequency Response: 45 Hz - 20 kHz (-6dB)
- * Sensitivity: 88 dB / 2,83V / 1 m
- * Crossover frequency: 600 HZ / 2,5 KHZ

SYSTEM COMPONENTS:

- * Cabinet: CLX8 (Not for sale)
- * Grille: GLX8 (2409180)
- * Woofer: LX170-10 165mm Woofer
30mm voice coil
- DC Resistance: 9,2 ohm
- * Midrange: LX130-M 130mm Midrange
30mm voice coil

SYSTEM COMPONENTS: (cont'd)

- DC Resistance: 4,6 ohm
- * Tweeter: LX026T 25mm
Titanium Dome Tweeter
- DC Resistance: 4,3 ohm
- * Crossover Network: NLX8 (2709180)

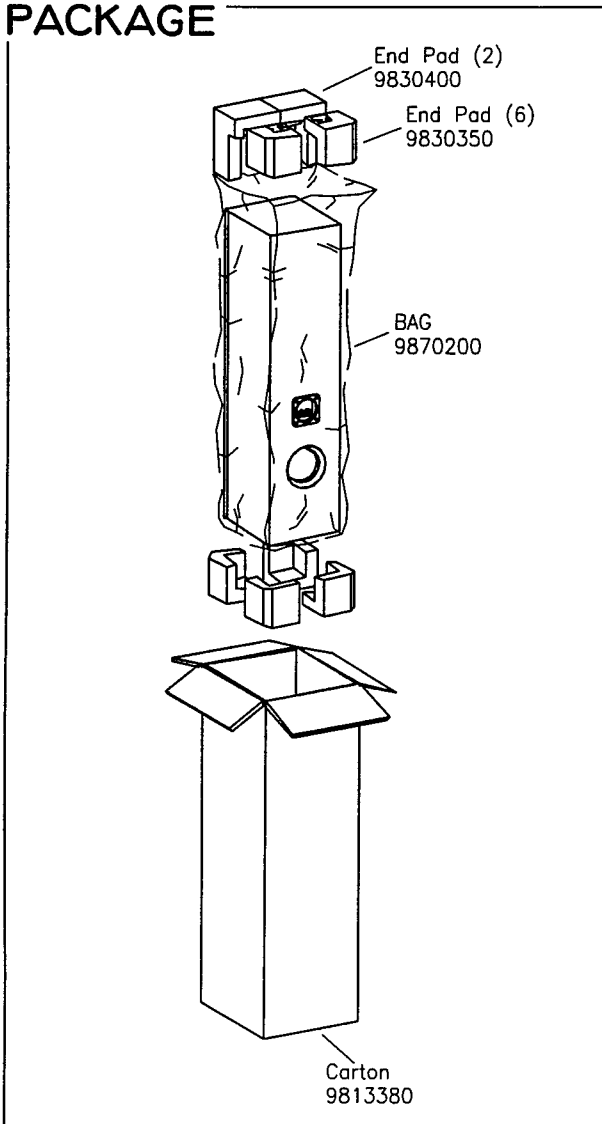
PHYSICAL SPECIFICATIONS:

- * Enclosure Dimensions (H.W.D): 35,4x8,7x11,4 In. D
(900x220x289mm D)
- * Shipping Weight: 37 lbs. (17 kg.)

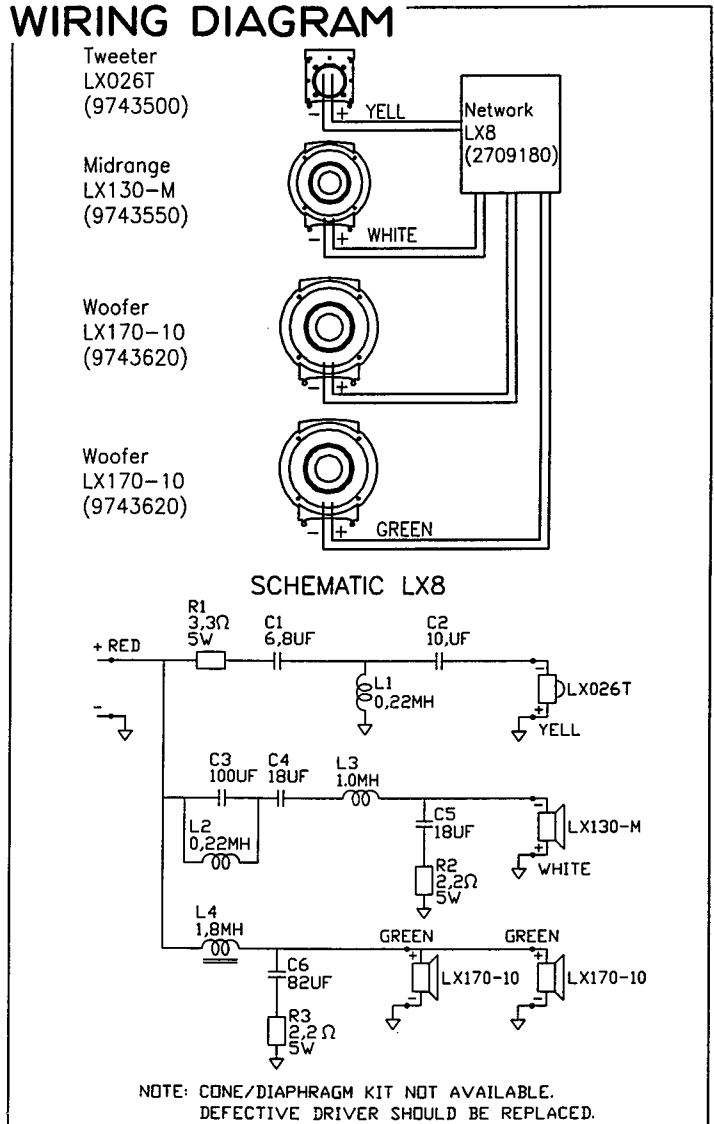
WARRANTY INFORMATION:

- * Refer to the Warranty Statement packed with each product

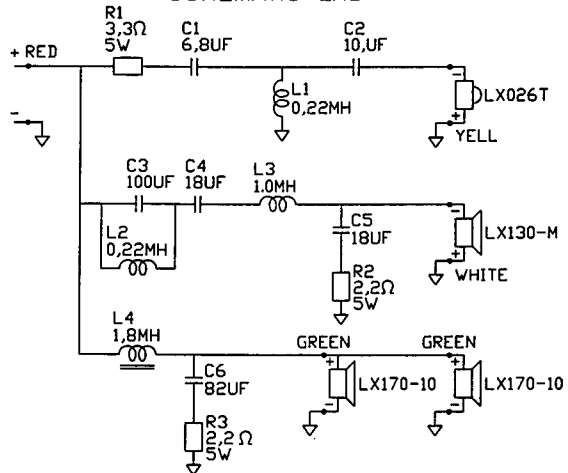
PACKAGE



WIRING DIAGRAM



SCHEMATIC LX8



NOTE: CONE/DIAPHRAGM KIT NOT AVAILABLE.
DEFECTIVE DRIVER SHOULD BE REPLACED.

LX8

Valid from serial no. 01001
Rev. 12/09-1996

COMPONENT EXPLODED VIEW

