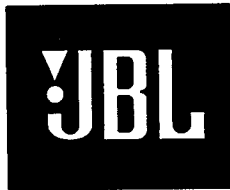


# LX80



## SPECIFICATIONS

### ACOUSTIC & ELECTRICAL SPECIFICATIONS:

- \* Nominal Impedance: 6 ohm
- \* Recommended Amp Power: 10-200W
- \* Frequency Response: 45 Hz - 20 kHz (-6dB)
- \* Sensitivity: 88 dB / 2,83V / 1 m
- \* Crossover frequency: 600 HZ / 2,5 KHZ

### SYSTEM COMPONENTS:

- \* Cabinet: CLX80 (Not for sale)
- \* Grille: GLX80 (2409400)
- \* Woofer: LX170-897 165mm Woofer  
30mm voice coil
- DC Resistance: 9,2 ohm
- \* Midrange: LX130-97M 130mm Midrange  
30mm voice coil

### SYSTEM COMPONENTS: (cont'd)

- DC Resistance: 4,6 ohm
- \* Tweeter: LX026T-97 25mm  
Titanium Dome Tweeter
- DC Resistance: 4,3 ohm
- \* Crossover Network: NLX80(2709400)

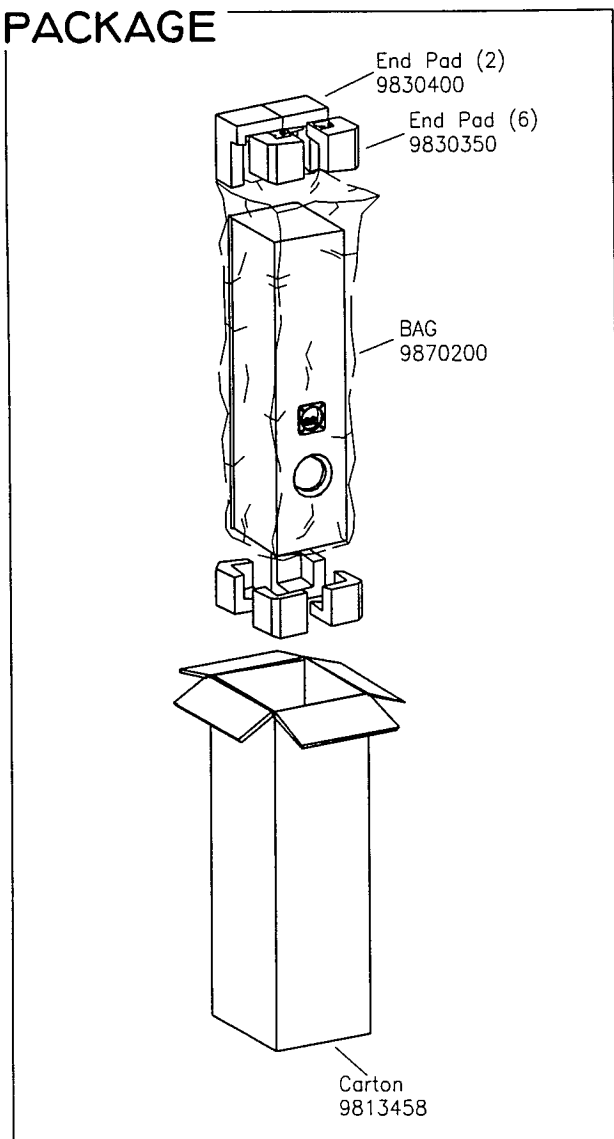
### PHYSICAL SPECIFICATIONS:

- \* Enclosure Dimensions (H.W.D): 35,4x8,7x11,4 in. D  
(900x220x289mm D)
- \* Shipping Weight: 37 lbs. (17 kg.)

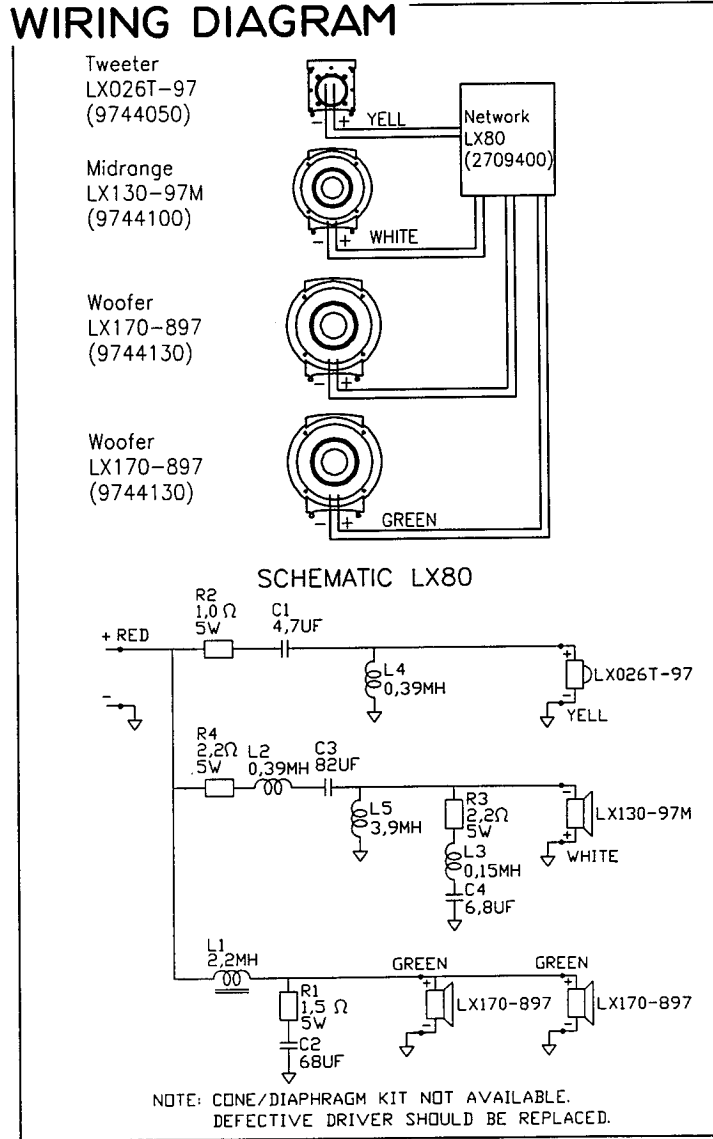
### WARRANTY INFORMATION:

- \* Refer to the Warranty Statement packed with each product

## PACKAGE



## WIRING DIAGRAM



LX80T

Valid from serial no. 01001  
Rev. 28/10-1997

# LX80

## COMPONENT EXPLODED VIEW

