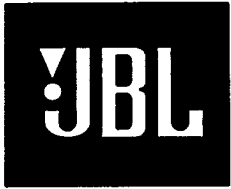


# Technical Manual

# LX90



## SPECIFICATIONS

### ACOUSTIC & ELECTRICAL SPECIFICATIONS:

- \* Nominal Impedance: 6 ohm
- \* Recommended Amp Power: 10-250W
- \* Frequency Response: 45 Hz - 20 kHz (-6dB)
- \* Sensitivity: 90 dB / 2,83V / 1 m
- \* Crossover frequency: 600 HZ / 2,5 KHZ

### SYSTEM COMPONENTS:

- \* Cabinet: CLX90 (Not for sale)
- \* Grille: GLX90 (2409420)
- \* Woofer: LX210-897 210mm Woofer  
30mm voice coil
- DC Resistance: 10,5 ohm
- \* Midrange: LX130-97M 130mm Midrange  
30mm voice coil

### SYSTEM COMPONENTS: (cont'd)

- DC Resistance: 4,6 ohm
- \* Tweeter: LX026T-97 25mm  
Titanium Dome Tweeter
- DC Resistance: 4,3 ohm
- \* Crossover Network: NLX90 (2709420)

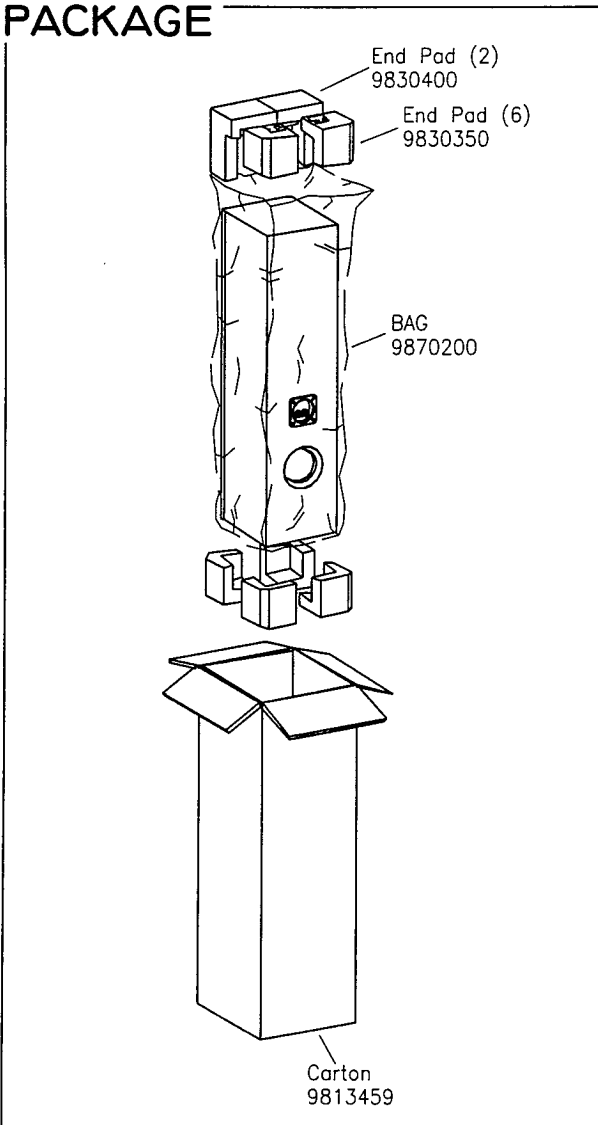
### PHYSICAL SPECIFICATIONS:

- \* Enclosure Dimensions (H.W.D): 41x10,4x13,4 In. D  
(1040x264x340mm D)
- \* Shipping Weight: 54 lbs. (24,5 kg.)

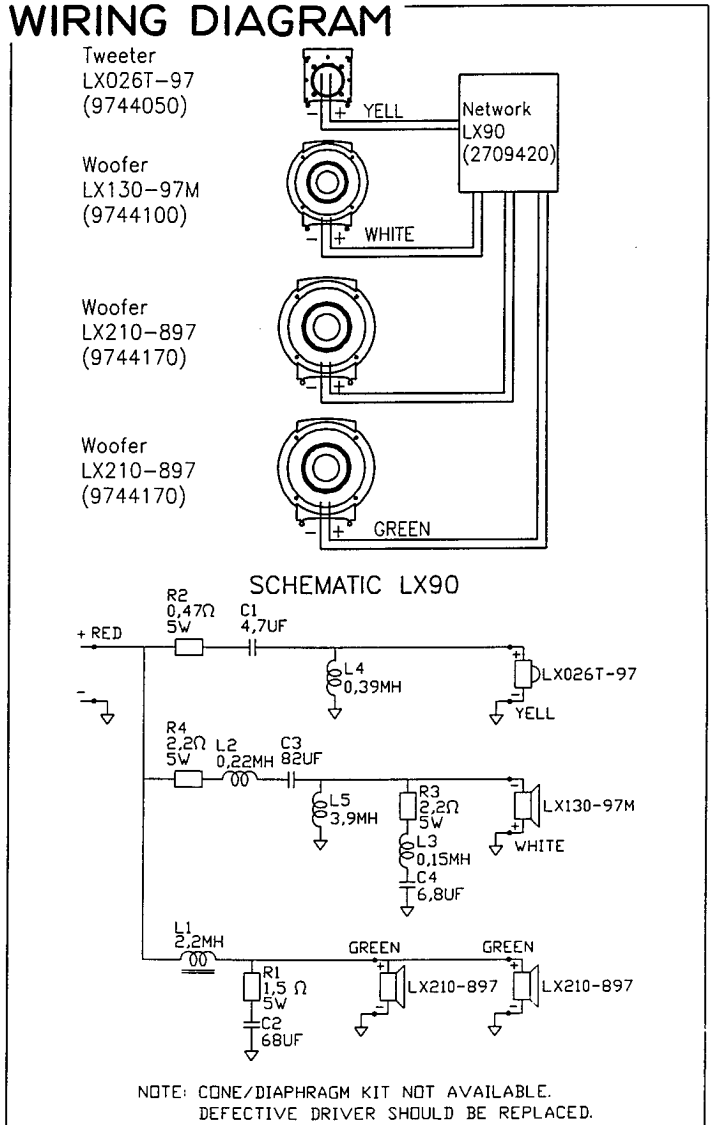
### WARRANTY INFORMATION:

- \* Refer to the Warranty Statement packed with each product

## PACKAGE



## WIRING DIAGRAM

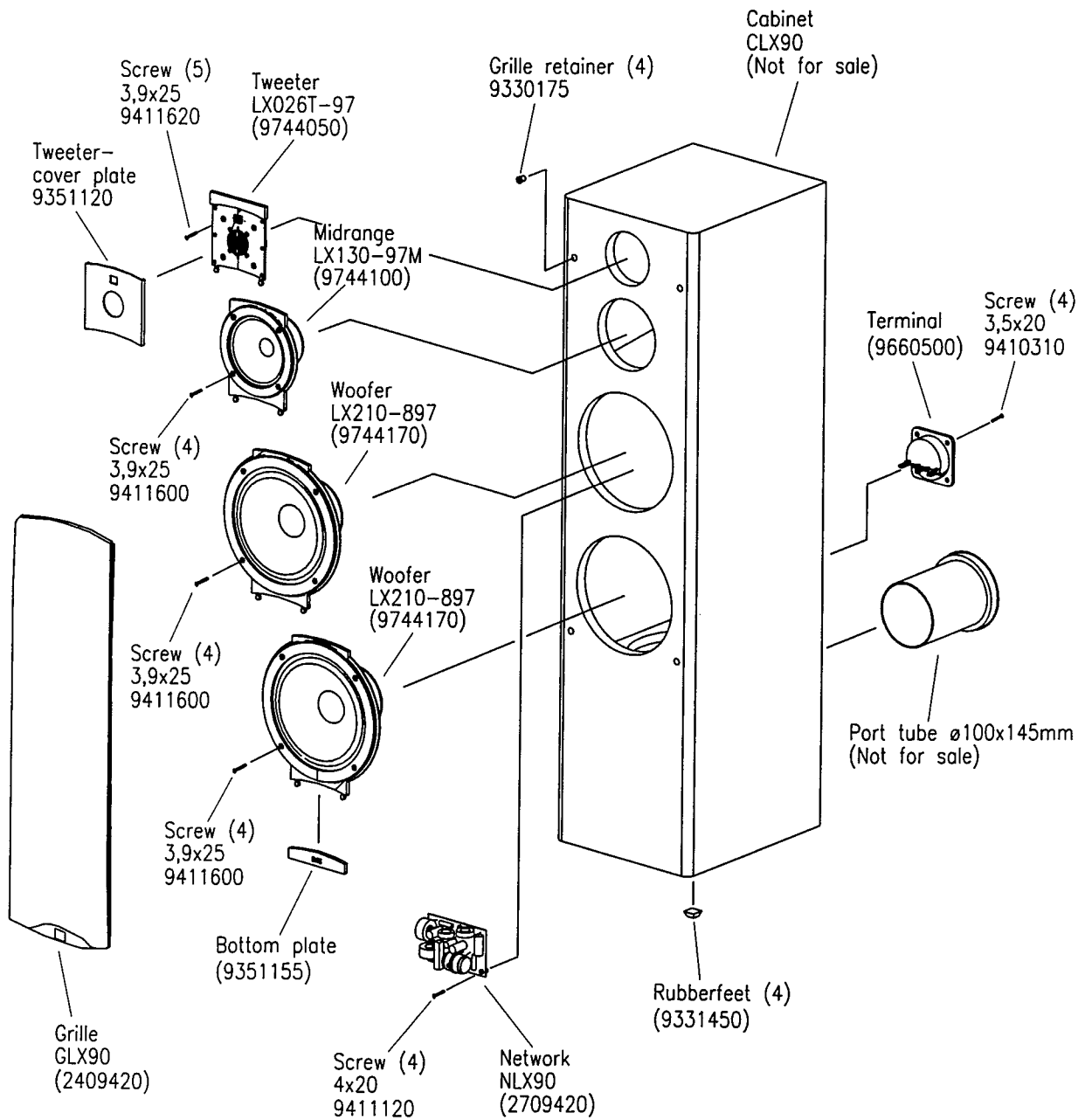


LX90

Valid from serial no. 01001  
Rev. 05/02-1998

# LX90

## COMPONENT EXPLODED VIEW



LX90