



LXE330

SPECIFICATIONS

ACOUSTIC & ELECTRICAL SPECIFICATIONS:

- Nominal Impedance: 8 ohm
- Recommended Amp Power: 10W to 125W
- Frequency Response: 55 Hz to 23 kHz (-6 dB)
- Sensitivity: 90 dB SPL*
- Crossover Frequency: 3.7 kHz

SYSTEM COMPONENTS:

- Cabinet: CLXE330 (Not For Sale)
- Grille: GLXE330 (308296-001)
- Low Frequency Transducer: 406G-2 6.5 in. (165mm) High Polymer Laminate Cone Transducer (70497-02)
- DC Resistance: 5.8 ohm \pm 10% Copper Wire
- High Frequency Transducer: 027Ti 1 in. (25mm) Pure Titanium Dome Transducer (74528)

SYSTEM COMPONENTS: (cont'd)

- DC Resistance: 4.0 ohm \pm 10% Copper Wire
- Crossover Network: NLXE330 (308351-001)

AURAL SWEEP TEST SPECIFICATIONS:

- A. System Aural Sweep Test: 6.0V Input, 20 Hz to 20 kHz
- B. L.F. Aural Sweep Test: 6.0V Input, 20 Hz to 2.7 kHz
- C. H.F. Aural Sweep Test: 2.83V Input, 2 kHz to 20 kHz

PHYSICAL SPECIFICATIONS:

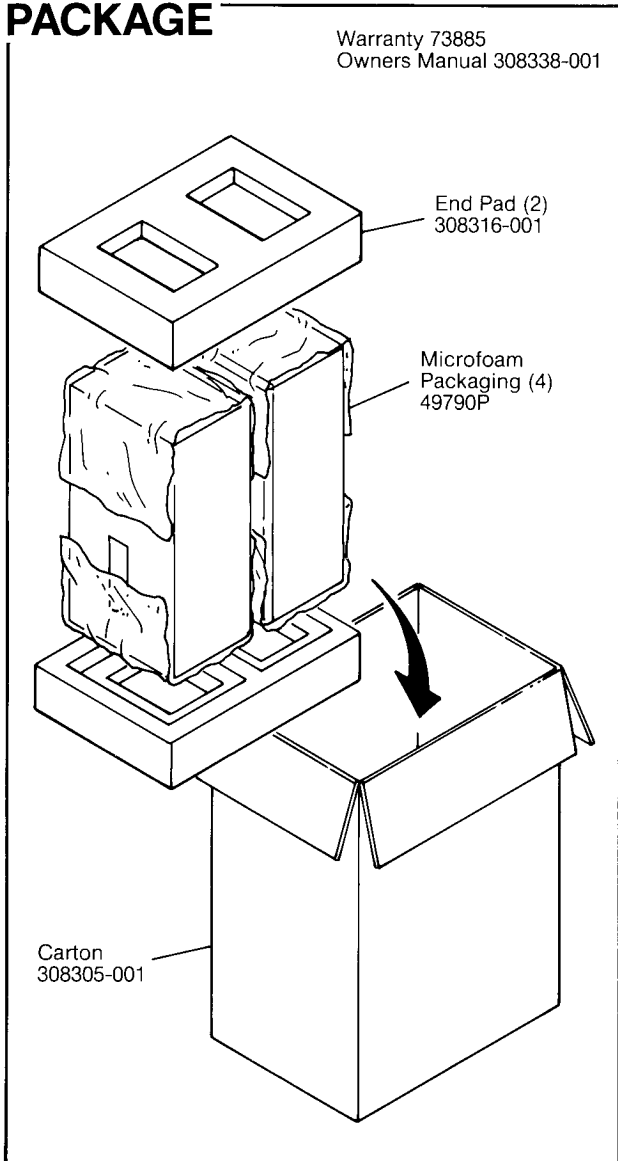
- Enclosure Dimensions: 17.38 x 9.62 x 6.75 in. D (442mm x 245mm x 172mm D)
- Shipping Weight: 34 lbs. (15.4 kg.) Pair

WARRANTY INFORMATION:

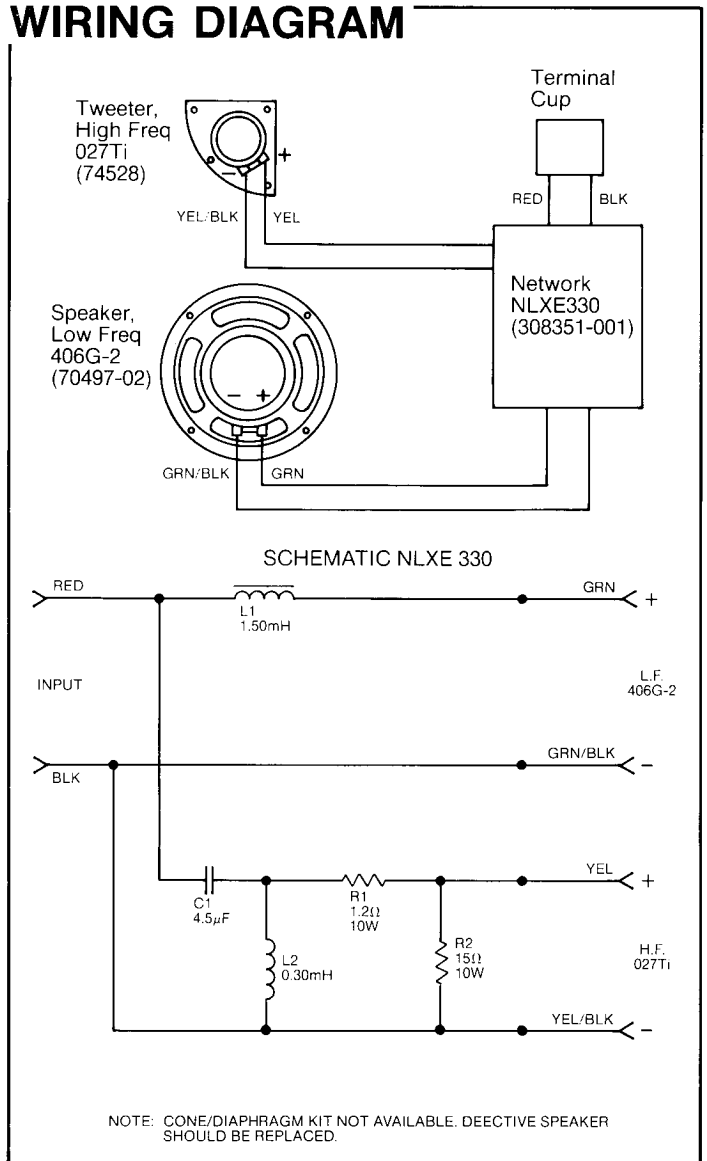
- Refer to the Warranty Statement packed with each product.

*1 Watt @ 1 Meter

PACKAGE



WIRING DIAGRAM



LXE330

LXE330

COMPONENT EXPLODED VIEW

