



LXE770

SPECIFICATIONS

ACOUSTIC & ELECTRICAL SPECIFICATIONS:

- Nominal Impedance: 8 ohm
- Recommended Amp Power: 10W to 150W
- Frequency Response: 41 Hz to 23 kHz (-6 dB)
- Sensitivity: 91 dB SPL*
- Crossover Frequency: 760 Hz and 3.7 kHz

SYSTEM COMPONENTS:

- Cabinet: CLXE770 (Not For Sale)
- Grille: GLXE770 (308668-001)
- Low Frequency Transducer: 408G-2 8 in. (200mm) High Polymer Laminate Cone Transducer (70460-02)
- DC Resistance: 5.5 ohm \pm 10% Copper Wire
- Mid Range Transducer: 405G-2 5 in. (127mm) High Polymer Laminate Cone Transducer (70575-02)
- DC Resistance: 5.0 ohm \pm 10% Copper Wire

*1 Watt @ 1 Meter

SYSTEM COMPONENTS: (cont'd)

- High Frequency Transducer: 027Ti 1 in. (25mm) Pure Titanium Dome Transducer (74528)
- DC Resistance: 4.0 ohm \pm 10% Copper Wire
- Crossover Network: NLXE770 (308712-001)

AURAL SWEEP TEST SPECIFICATIONS:

- A. System Aural Sweep Test: 6.0V Input, 20 Hz to 20 kHz
- B. L.F. Aural Sweep Test: 6.0V Input, 20 Hz to 1 kHz
- C. M.F. Aural Sweep Test: 6.0V Input, 700 Hz to 5 kHz
- D. H.F. Aural Sweep Test: 2.83V Input, 2 kHz to 20 kHz

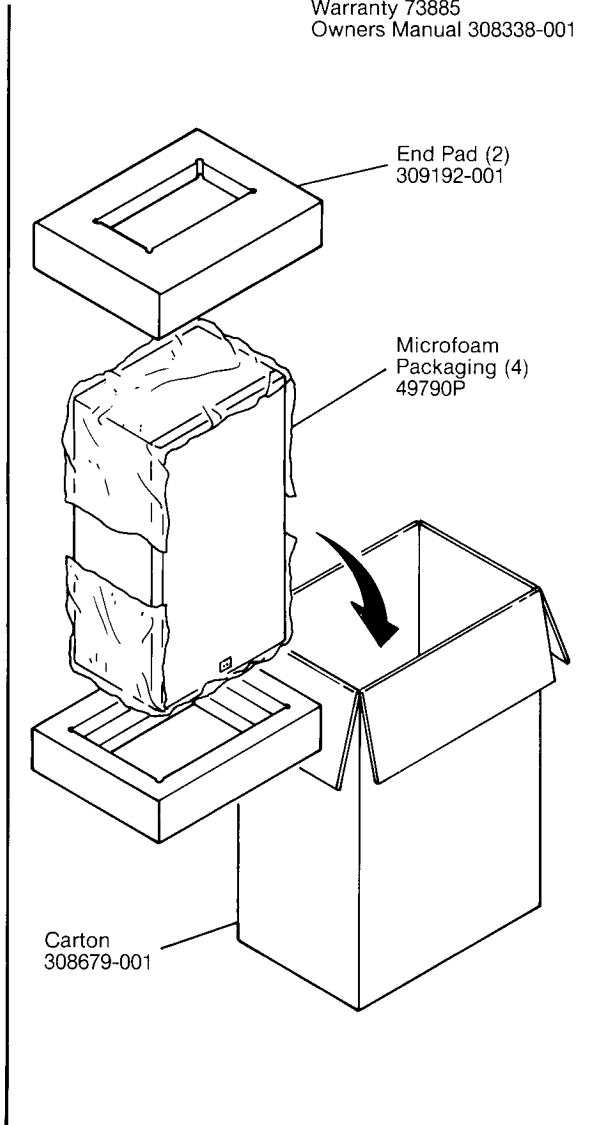
PHYSICAL SPECIFICATIONS:

- Enclosure Dimensions: 26.0 x 12.13 x 8.93 in. D (660mm x 308mm x 227mm D)
- Shipping Weight: 33 lbs. (15.0 kg.)

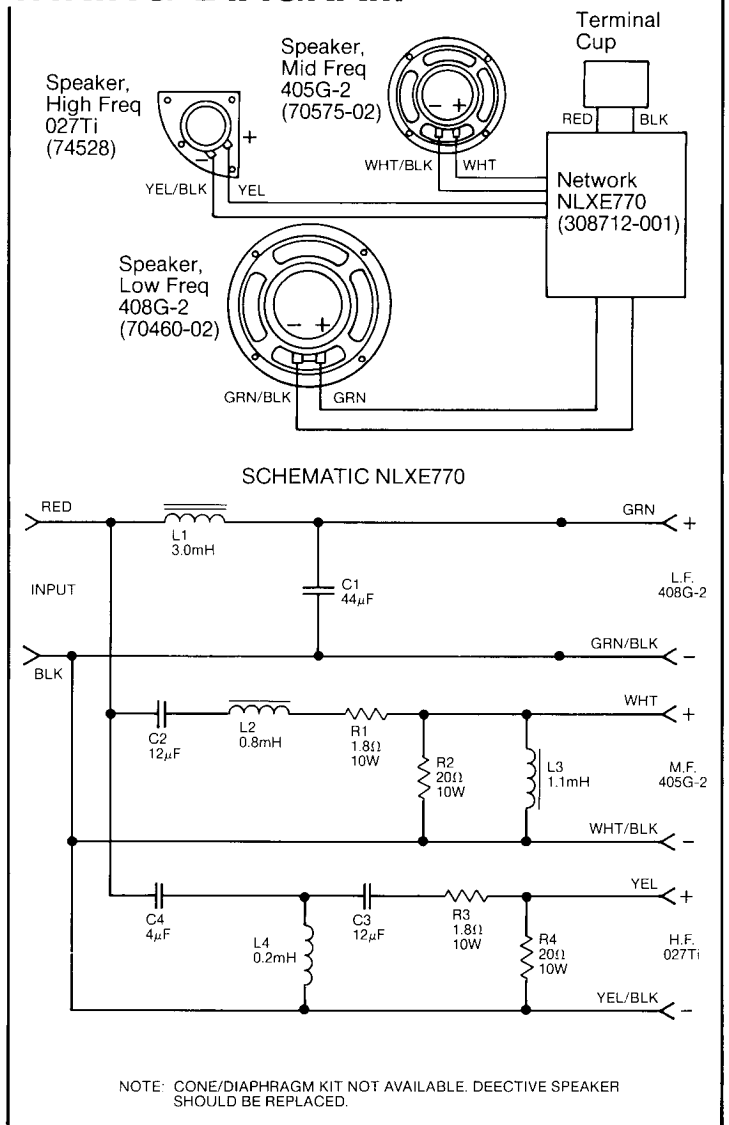
WARRANTY INFORMATION:

- Refer to the Warranty Statement packed with each product.

PACKAGE



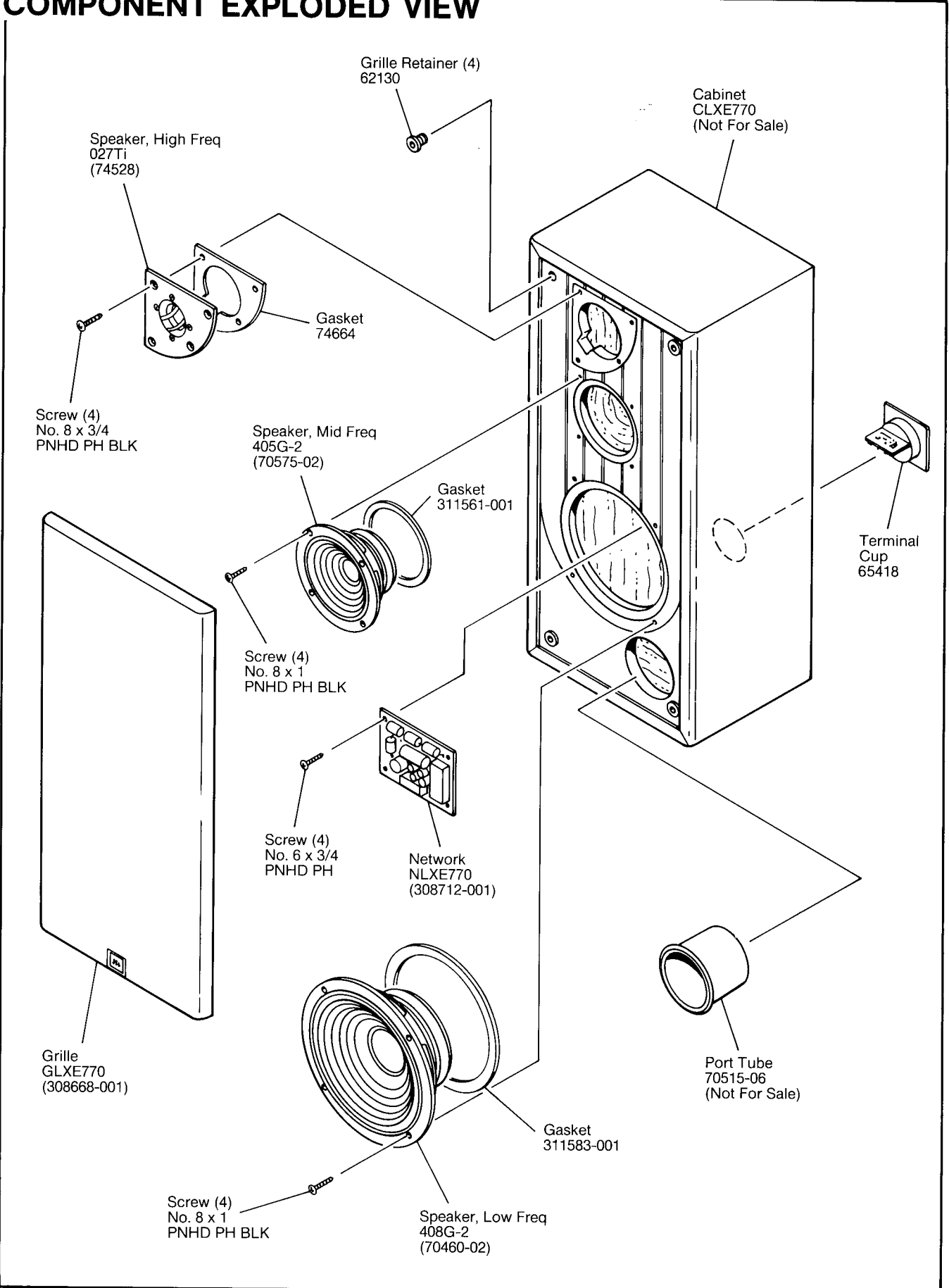
WIRING DIAGRAM



LXE770

LXE770

COMPONENT EXPLODED VIEW



LXE770