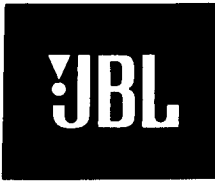


# Technical Manual

# JBL M360



## SPECIFICATIONS

### ACOUSTIC & ELECTRICAL SPECIFICATIONS:

- Nominal Impedance: 8 ohms
- Power Rating: 350 Watts IEC
- Frequency Responce: (-10 dB) 35 Hz - 22 KHz
- Sensitivity: 99 dB\*
- Crossover Frequency: 950 Hz - 4,5 KHz

### SYSTEM COMPONENTS: (cont'd)

- Midrange Frequency Transducer: 200 mm (8 Inch) CONE
- High Frequency Transducer: Pure Titanium Diaphragm Horn loaded tweeter
- Crossover Network: NM360

### SYSTEM COMPONENTS:

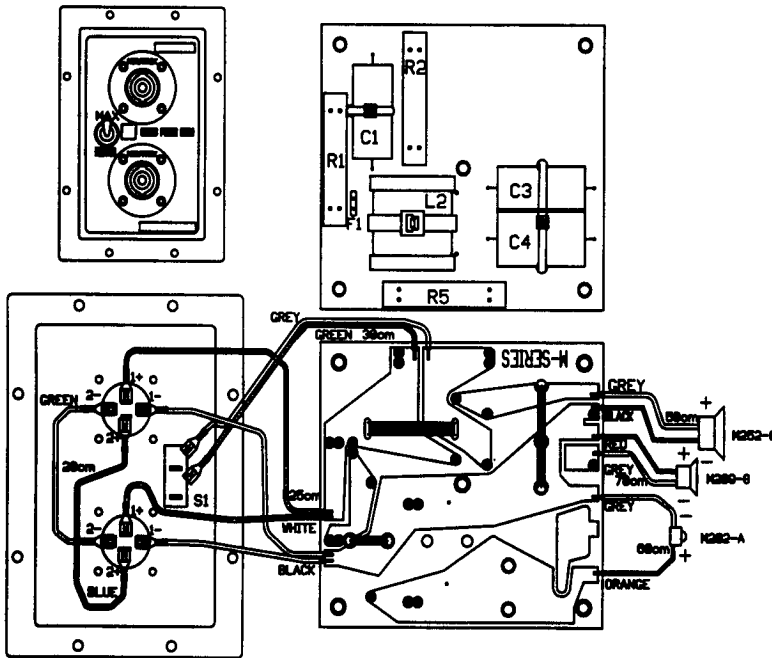
- Cabinets: CM360
- Grille: GM360
- Low Frequency Transducer: 380 mm (15 Inch) CONE

### PHYSICAL SPECIFICATIONS:

- Enclosure Dimensions: 900 x 520 x 430 (D) mm  
35,4 x 20,5 x 16,9 (D) Inch
- Shipping Weight: 50 Kg  
110,5 lbs

\*1 Watt (2,83 V RMS) @ 1 Meter

## WIRING DIAGRAM

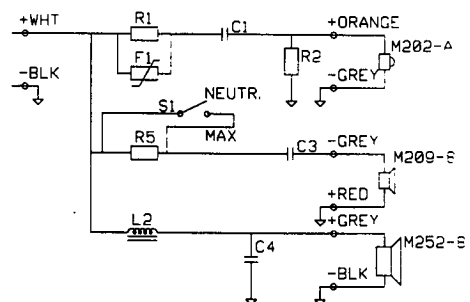


F1	FUSE MF-R075	968091
R1	6,8 ohm/20W	964503
R2	12 ohm/20W	964506
R5	6,8 ohm/20W	964503
C1	4 uF/250V	963602
C3	10 uF/250V	963607
C4	14 uF/250V	963613
L2	3,8 mH/1,2mm	965527
S1	SWITCH	968040
	PCB	961195

## PACKAGE

CARTON  
981762

### SCHEMATIC M360



# JBL M360

## COMPONENT EXPLODED VIEW

