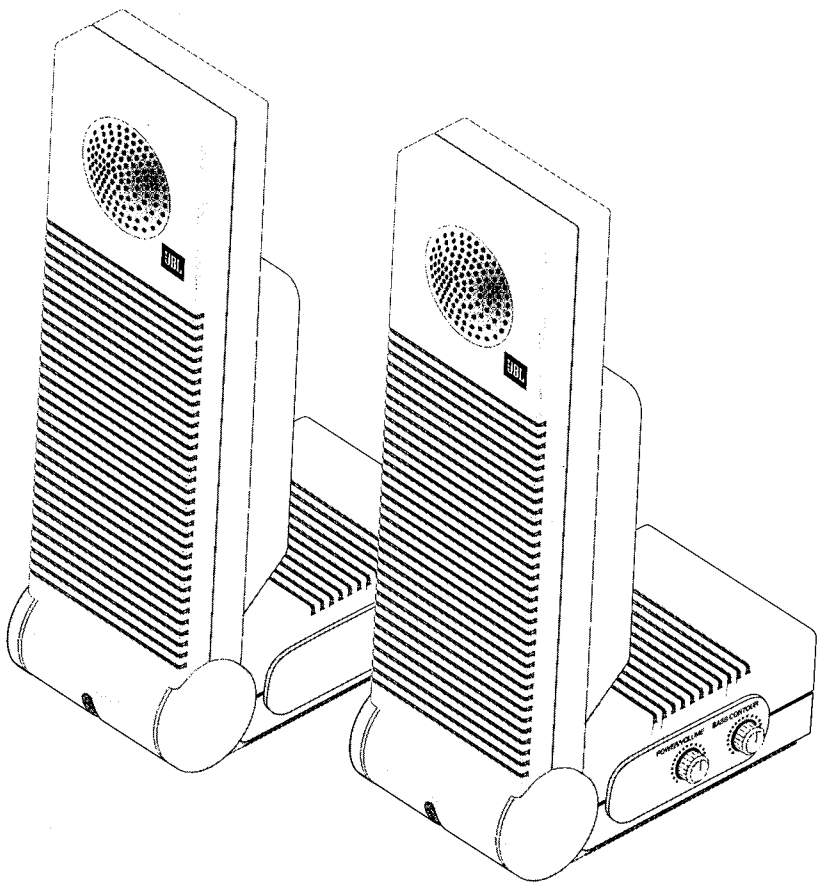




Media 2

2-way 3" Powered Multimedia Speaker System

TECHNICAL MANUAL



JBL Consumer Products Inc.
80 Crossways Park West
Woodbury, N.Y. 11797
1-800-336-4JBL in the USA

H A Harman International Company

Part No.: MEDIA2SM Rev A

TABLE OF CONTENTS

Features.....	1	Printed Circuit Boards	5
Specifications	1	Electrical Parts List	6
Dissassembly Procedures.....	2	Packaging Exploded View & Parts List.....	7
Trouble Shooting	2	Integrated Circuit Diagrams	8
Master Speaker Exploded View (with amp).....	3	Block Diagram	8
Slave Speaker Exploded View (without amp).....	4	Schematic Diagram	9

FEATURES

- Two-way speaker system.
- 10 watt stereo amplifier.
- Auto turn-on / turn-off circuitry.
- Speakers are magnetically shielded for flicker-free use alongside computer monitors.
- Dual stereo inputs.
- For use with both Mac and PC-based computer systems.
- Built-in electronic equalization for smooth frequency response.
- Variable bass contour control.
- Subwoofer output.

SPECIFICATIONS

Speaker System Full Range: . . . Two-Way Speaker System
 Speaker Size: 3" Woofer, 1.5" Tweeter
 Total Amplifier Output Power: . . 10W at 10% THD
 Frequency Response: 100Hz - 20kHz
 Input Impedance: 50K ohms
 Subwoofer Output Jack: Stereo miniplug (1/8")
 Signal Input Jacks: Stereo miniplug (1/8")

External Dimensions:
 Height 11.5" (292mm)
 Width 3.75" (95mm)
 Depth 6" (152mm)
 Weight 4 lbs. (1.82 kgs) per pair

DISASSEMBLY PROCEDURES

Step 1. Unscrew 6 screws (#14) from *Rear Case* (#2) and remove *Rear Case* (#2).

Step 2. Unscrew 4 screws (#15) from bottom of "*Down Case*" (#4) and lift "*Up Case*" (#3 for the *Slave Speaker* or #21 for the *Master Speaker*) off of "*Down Case*"

To separate the "*Front Case*" (#1 for the *Slave Speaker* or #20 for the *Master Speaker*) from the "*Down Case*" (#4), pinch interior clip of "*Axis Covers*" (#6) and force out of hole. These should snap out.

TROUBLE SHOOTING

1. If the power LED Fails

- A. Check if the accessory adaptor is properly fitted.
- B. Check if the adaptor is plugged into the DC jack.

2. No sound from the Master Speaker

- A. Check if the adaptor is plugged into the input jack and audio signal is lighted.
- B. Check if the power switch is on.
- C. Check to see if the volume knob is turned up half-way.

3. No sound from the Slave Speaker

- A. Check to see if it is well connected to the Master Speaker.

4. The power signal is RED (normally it should be GREEN)

- A. Check if the adaptor is plugged into the jack.

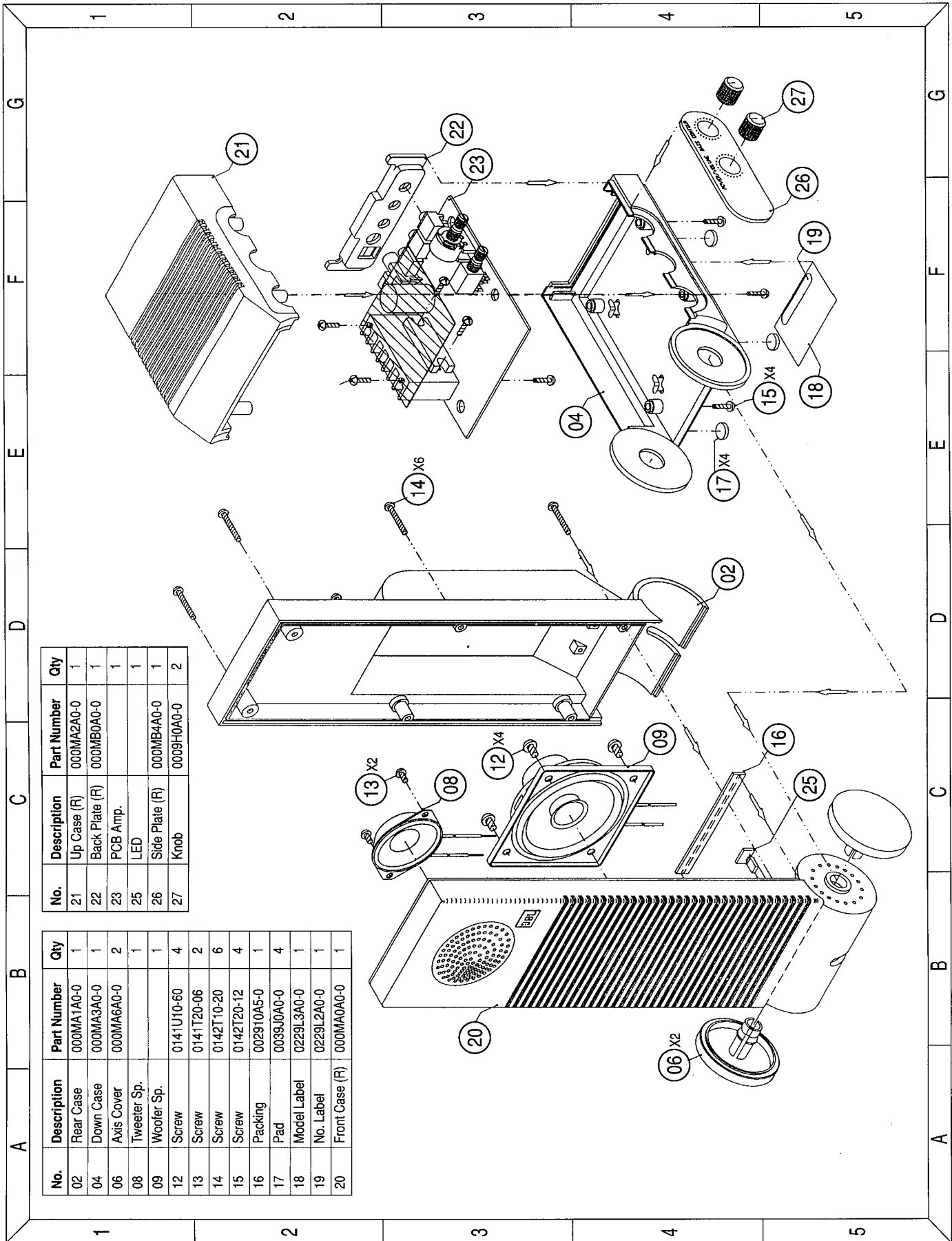
5. No volume

- A. Check to see if both the treble and bass knobs are turned up half-way.

6. Distortion

- A. Check if input jack 1 and input jack 2 are both connected.

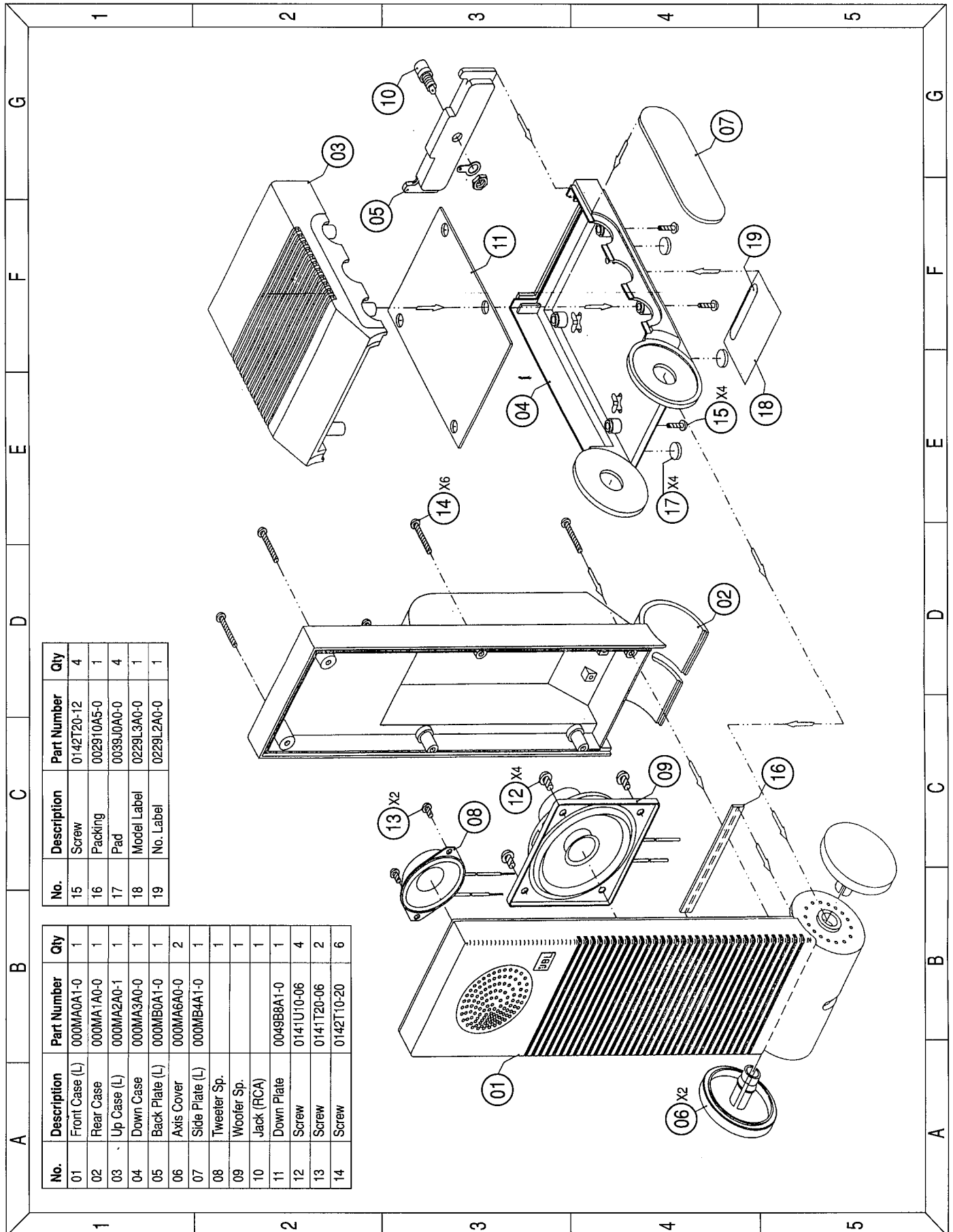
MASTER SPEAKER EXPLODED VIEW (with Amplifier)



No.	Description	Part Number	Qty
21	Up Case (R)	000MA2A0-0	1
22	Back Plate (R)	000MB0A0-0	1
23	PCB Amp.		1
25	LED		1
26	Side Plate (R)	000MB4A0-0	1
27	Knob	0009H0A0-0	2

No.	Description	Part Number	Qty
02	Rear Case	000MA1A0-0	1
04	Down Case	000MA3A0-0	1
06	Axis Cover	000MA6A0-0	2
08	Tweeter Sp.		1
09	Woofer Sp.		1
12	Screw	0141U10-60	4
13	Screw	0141T20-06	2
14	Screw	0142T10-20	6
15	Screw	0142T20-12	4
16	Packing	002910A5-0	1
17	Pad	0039J0A0-0	4
18	Model Label	0229L3A0-0	1
19	No. Label	0229L2A0-0	1
20	Front Case (R)	000MA0A0-0	1

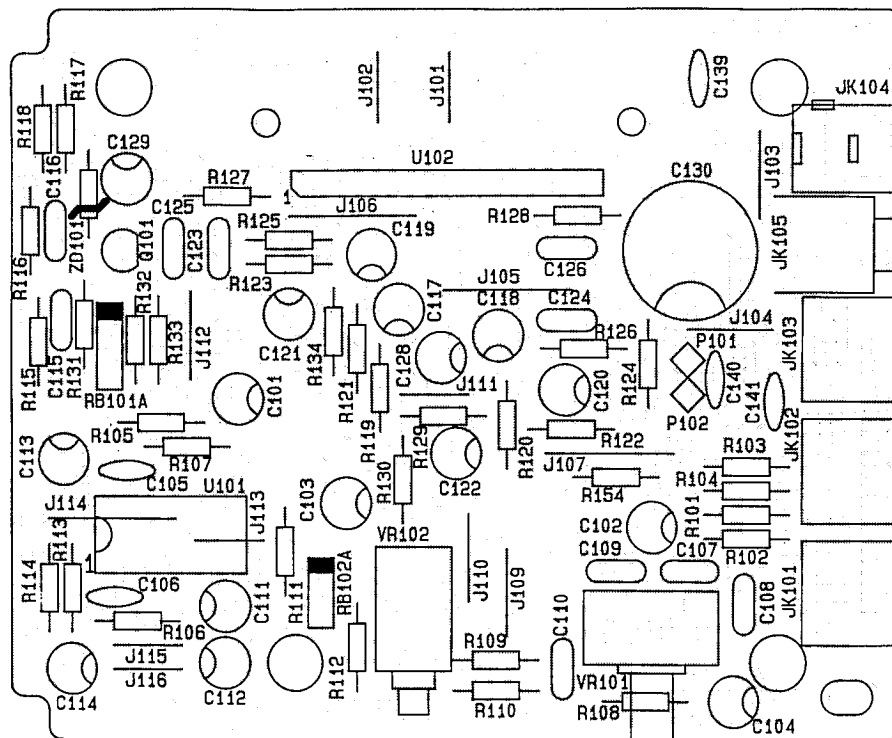
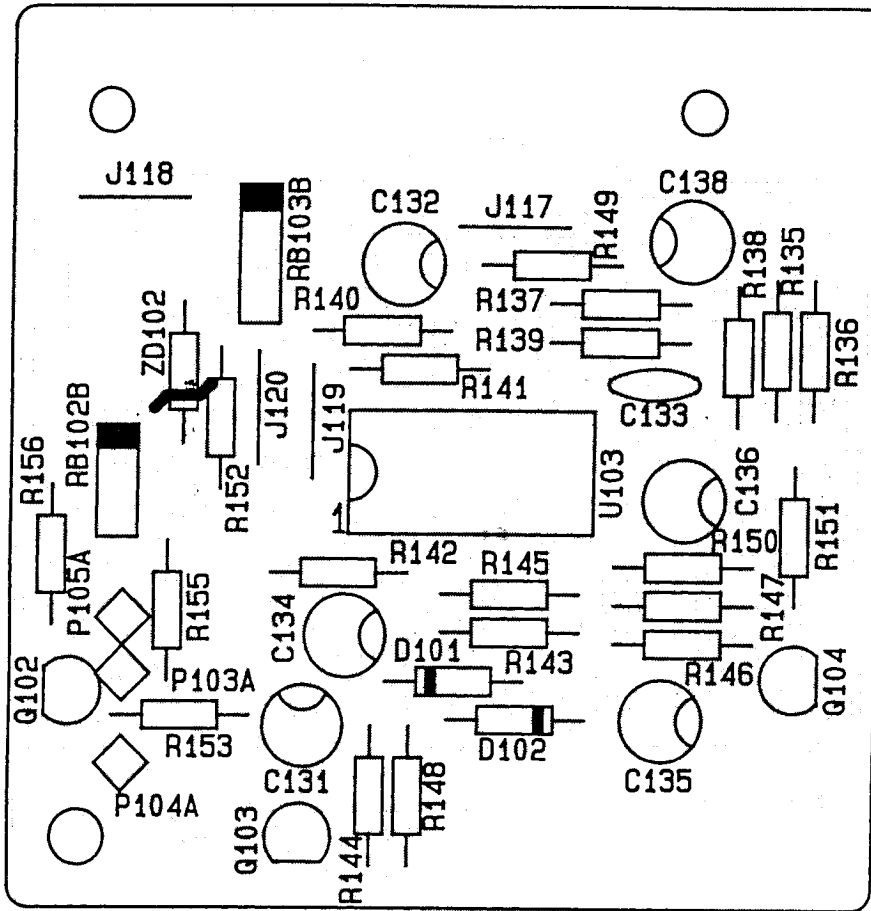
SLAVE SPEAKER EXPLODED VIEW (without Amplifier)



No.	Description	Part Number	Qty
15	Screw	0142T20-12	4
16	Packing	002910A5-0	1
17	Pad	0039J0A0-0	4
18	Model Label	0229L3A0-0	1
19	No. Label	0229L2A0-0	1

No.	Description	Part Number	Qty
01	Front Case (L)	000MA0A1-0	1
02	Rear Case	000MA1A0-0	1
03	Up Case (L)	000MA2A0-1	1
04	Down Case	000MA3A0-0	1
05	Back Plate (L)	000MB0A1-0	1
06	Axis Cover	000MA6A0-0	2
07	Side Plate (L)	000MB4A1-0	1
08	Tweeter Sp.		1
09	Woofer Sp.		1
10	Jack (RCA)		1
11	Down Plate	0049B8A1-0	1
12	Screw	0141U10-06	4
13	Screw	0141T20-06	2
14	Screw	0142T10-20	6

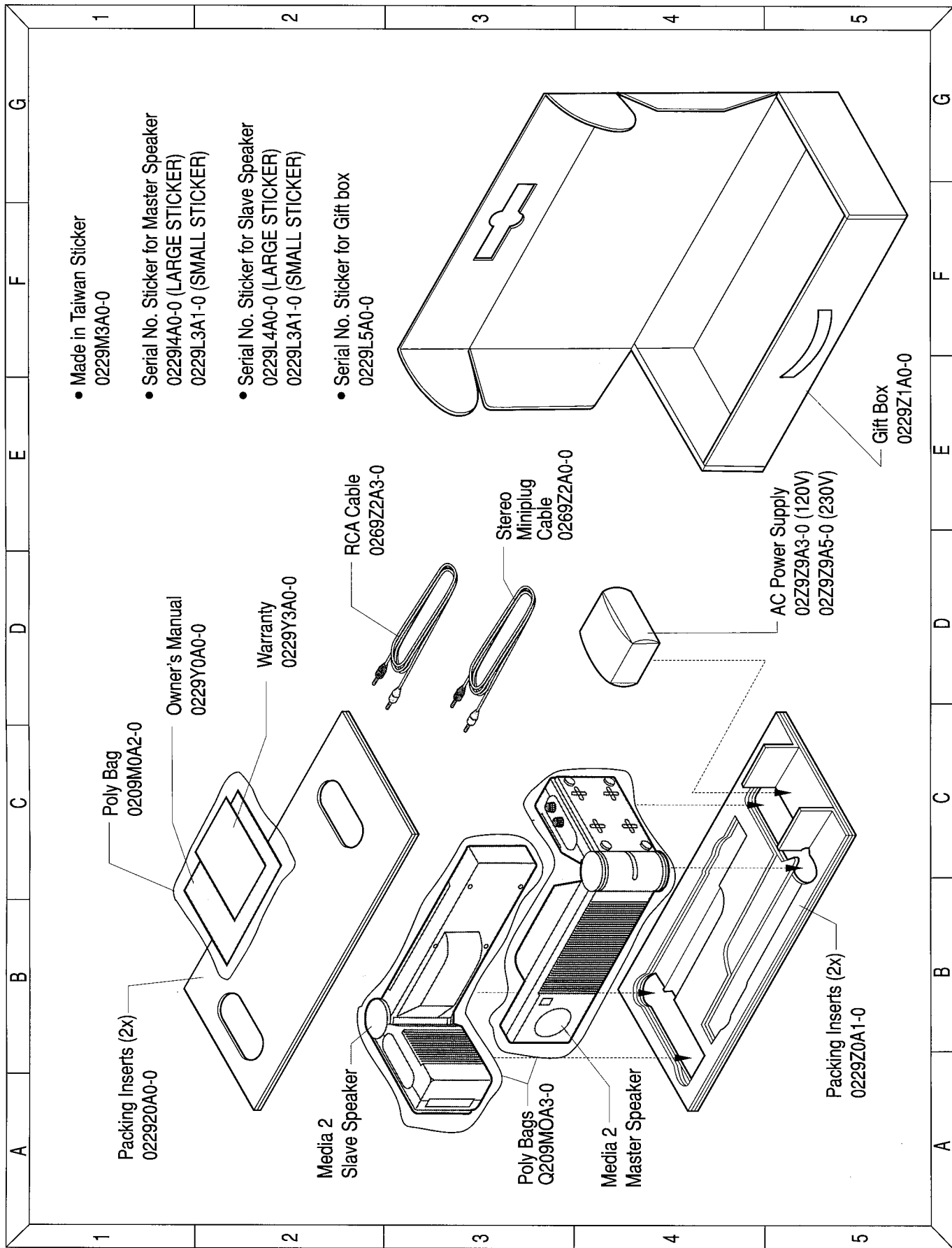
PRINTED CIRCUIT BOARDS



ELECTRICAL PARTS LIST

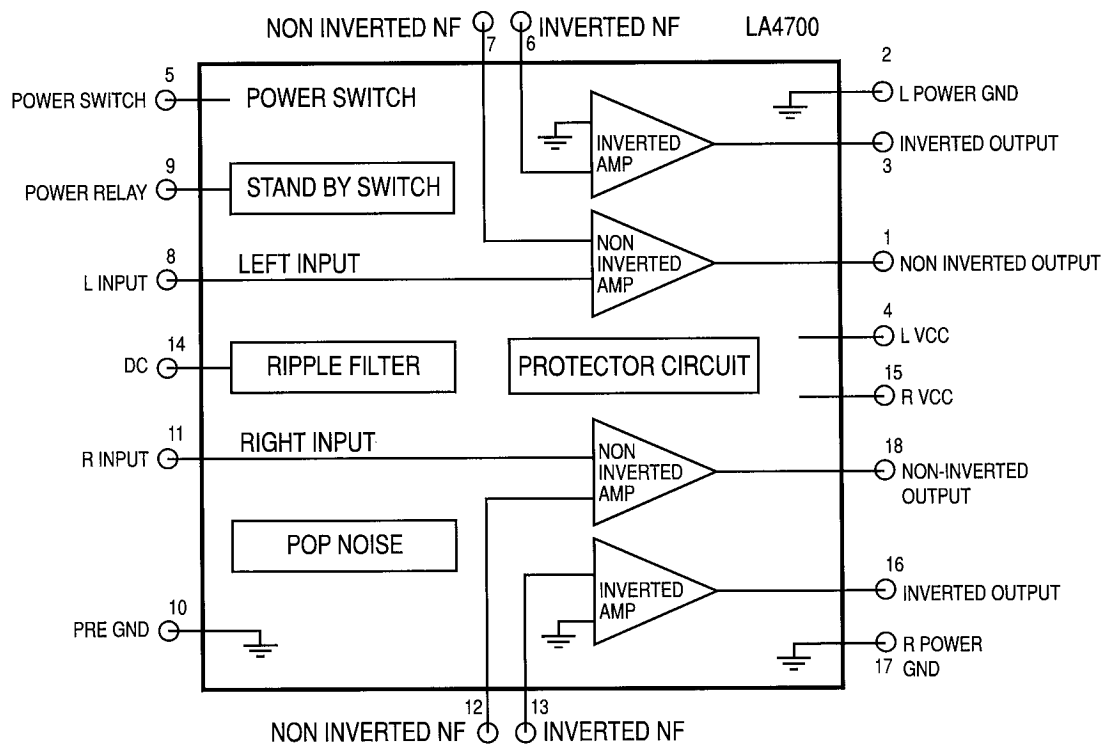
REF. NO.	PART NO.	DESCRIPTION	QTY	REF. NO.	PART NO.	DESCRIPTION	QTY
Transistors							
Q101, 102, 103, 104	1020945161	2SC945P	4	C101, 102, 103, 104, 111, 112, 113, 114	1546105112	50V 1 μ F 85°C \pm 20%	8
Diode							
D101, 102	125200032	1N4148	2	C134, C138	1546106112	50V 10 μ F 85°C \pm 20%	2
Diode (Zener)							
ZD101, 102	1253000022	1/2W 9.1V (MTZ9.1B)	2	C131	1546475112	50V 0.47 μ F 85°C \pm 20%	1
Diode (LED)				Capacitors (Polyester)			
LD101	1257000041	2x5 m/m RED/GREEN	1	C123, 124, 125, 126	1631104420	50V 0.1 μ F \pm 10%	4
Integrated Circuits							
U101, 103	1281000021	TLO74CN Op Amp	2	C115, 116	1631472420	50V 0.0047 μ F \pm 10%	2
U102	1281000031	LA4700 Power Amp	1	C107, 108, 109, 110	1631683420	50V 0.068 μ F \pm 10%	4
Resistor (Carbon)				Capacitors (Ceramic)			
R132	1312010061	1/4W 10 Ω \pm 5%	1	C105, 106	1723470142	50V 47PF CH \pm 5%	2
R119, 120, 121 122, 134	1312010161	1/4W 100 Ω \pm 5%	5	C141	1732101142	50V 100PF CH \pm 5%	1
R154	1312010261	1/4W 1 K Ω \pm 5%	1	C133	1733221152	50V 220PF B \pm 10%	1
R109, 110, 111, 112, 123, 124, 130, 148, 149, 153, 156	1312010361	1/4W 10 K Ω \pm 5%	11	C139, 140	1733472272	50V 0.0047 μ F F \pm 20%	2
R135, 136, 137 138, 147	1312010461	1/4W 100 K Ω \pm 5%	5	VR (Rotary)			
R107, 108	1312012361	1/4W 12 K Ω \pm 5%	2	VR102A, B	1951031601	10KAX2	1
R117, 118	1312015161	1/4W 150 Ω \pm 5%	2	VR101A, B	1951032402	10KBX2	1
R133	1312015261	1/4W 1.5 K Ω \pm 5%	1	PCB			
R139	1312015461	1/4W 150 K Ω \pm 5%	1		2001300300	PCB, FIGURED 1.6T 94V-0	1
R143	1312018461	1/4W 180 K Ω \pm 5%	1	Speakers			
R142	1312018561	1/4W 1.8 M Ω \pm 5%	1		2110040204	1-3/4" PIEZO SPEAKER	2
R140, 141	1312022261	1/4W 2.2 K Ω \pm 5%	2		2110075303	12 Ω 3" SHIELDED SPEAKER	2
R129, 150	1312022361	1/4W 22 K Ω \pm 5%	2	Wires			
R125, 126, 127, 128	1312022961	1/4W 2.2 Ω \pm 5%	4	P105A, B	2280062203	VINYL COAT WIRE 220-5-5 AWG26 UL1007 BLACK	1
R113, 114, 115, 116	1312027261	1/4W 2.7 K Ω \pm 5%	4	P103A, B	2282062203	VINYL COAT WIRE 220-5-5 AWG26 UL1007 RED	1
R131	1312033061	1/4W 33 Ω \pm 5%	1		2284053803	VINYL COAT WIRE 380-5-5 AWG24 UL1007 YELLOW	2
R144, 152	1312033161	1/4W 330 Ω \pm 5%	2	P104A, B	2285062203	VINYL COAT WIRE 220-5-5 AWG26 UL1007 GREEN	1
R101, 102, 103 104	1312033361	1/4W 33 K Ω \pm 5%	4		2286053803	VINYL COAT WIRE 380-5-5 AWG24 UL1007 BLUE	1
R145	1312039461	1/4W 390 K Ω \pm 5%	1	J101, 102, 111, 113, 115, 116, 117, 118, 119, 120	2350607500	JUMPER WIRE 0.6 \varnothing - 7.5	10
R105, 106	1312056361	1/4W 56 K Ω \pm 5%	2	J103, 104, 109, 110, 112	2350610000	JUMPER WIRE 0.6 \varnothing - 10	5
R155	1312068161	1/4W 680 Ω \pm 5%	1	J105, 106, 107, 114	2350615000	JUMPER WIRE 0.6 \varnothing - 15	4
R151	1312068261	1/4W 6.8 K Ω \pm 5%	1	RB101A, B	2360100002	CONNECTIVE CORD 5C-100 AWG26 UL1007	1
R146	1312082461	1/4W 820 K Ω \pm 5%	1	RB102A, B	2360130001	CONNECTIVE CORD 4C-130 AWG26 UL1007	1
Capacitors (Electrolytic)				Jacks			
C117, 118, 119, 120, 121, 122, 128, 132	1542107112	10V 100 μ F 85°C \pm 20%	8	JK101, 102, 103	2460103003	JACK (EAR), 3P ST-3.5 \varnothing -3P LJE0361-3RT	3
C135, 136	1542227112	10V 220 μ F 85°C \pm 20%	2	JK105	2460601001	JACK (RCA), 1P RJ-1034-30BL-02	1
C129	1544107112	25V 100 μ F 85°C \pm 20%	1		2460601002	JACK (RCA), 1P NUT TYPE SCJ-0363B	1
C130	1544228111	25V 2200 μ F 85°C \pm 20%	1	JK104	2460801004	JACK (DC) 2.0 DIA DC-014	1

PACKAGING EXPLODED VIEW

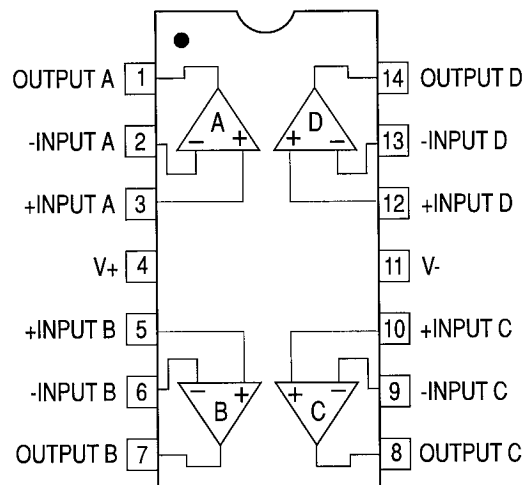


INTEGRATED CIRCUIT DIAGRAMS

IC - U102 - LA4700 Power Amp Diagram

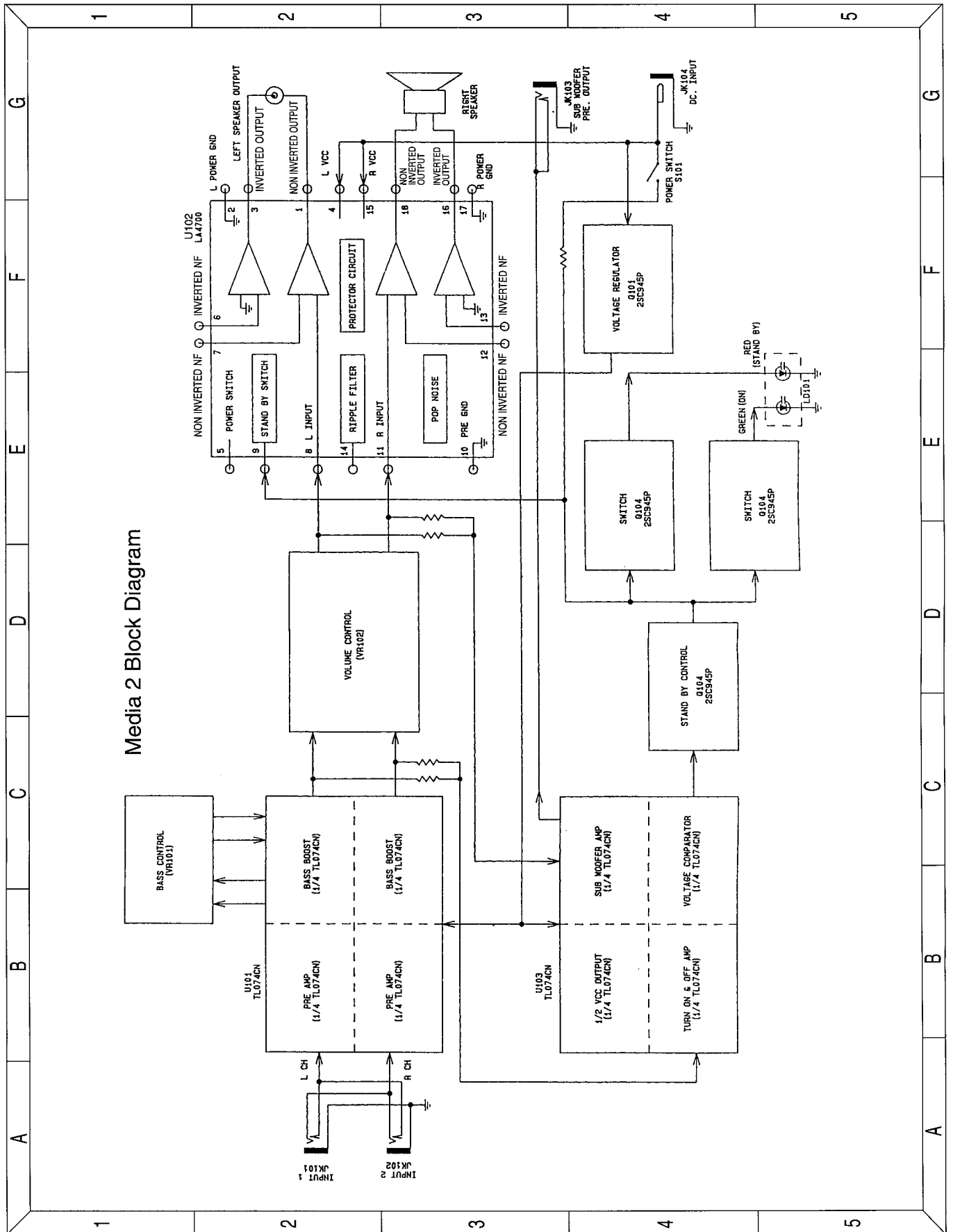


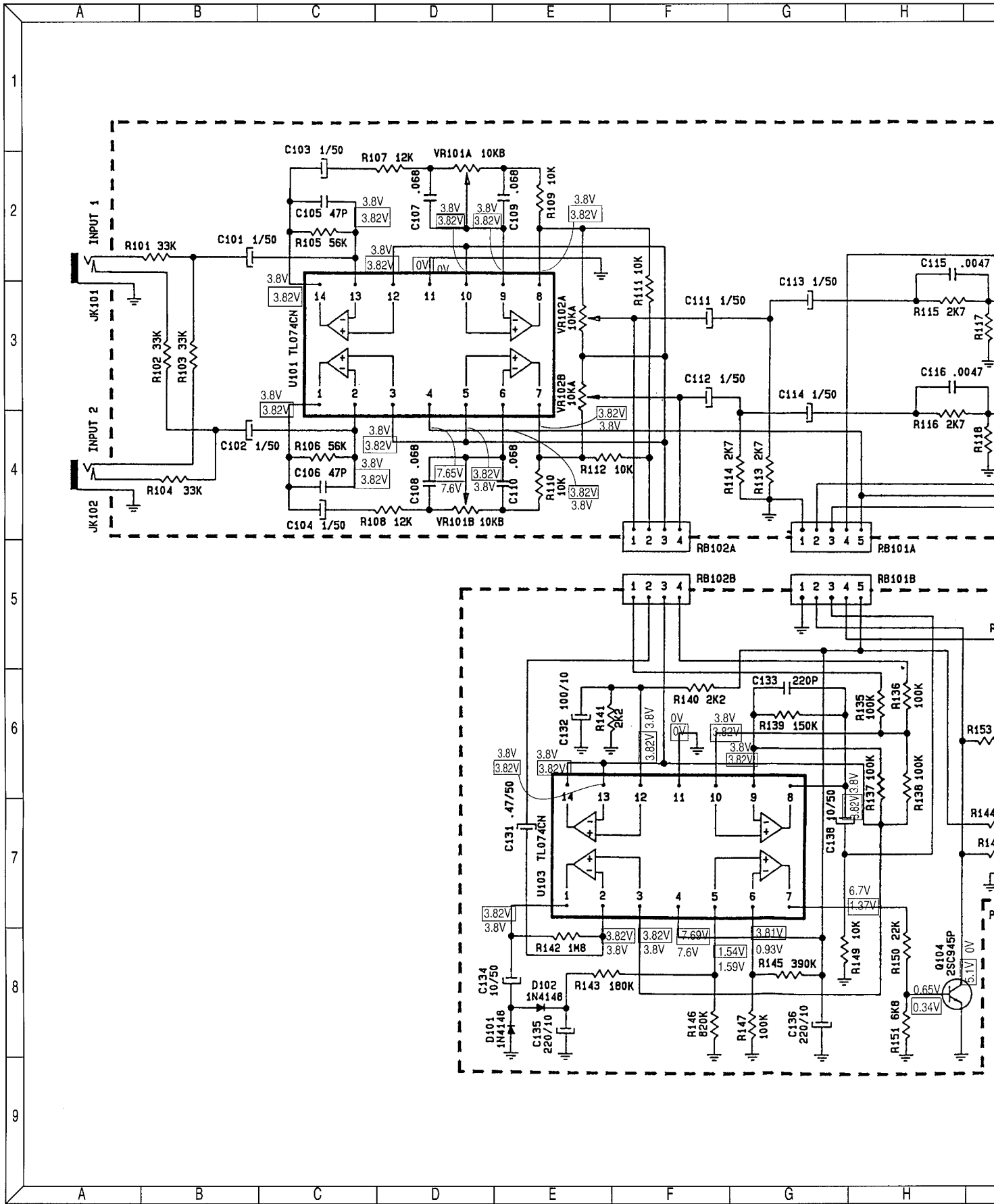
IC's - U101/U103 - TL074CN Op Amp



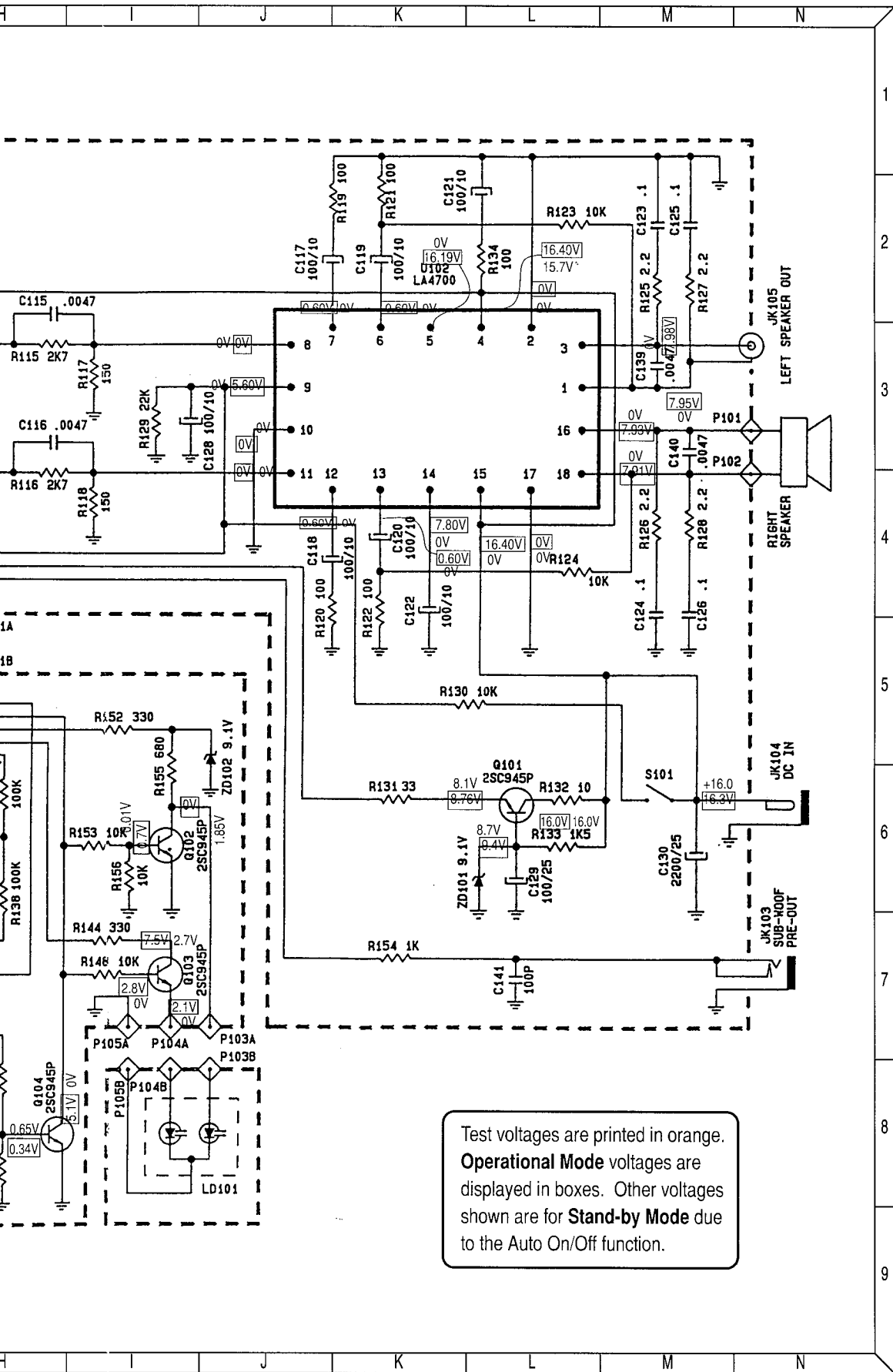
BLOCK DIAGRAM

Media 2 Block Diagram





Diagram



Test voltages are printed in orange.
Operational Mode voltages are displayed in boxes. Other voltages shown are for **Stand-by Mode** due to the Auto On/Off function.