

Technical Manual



JBL MI-630

SPECIFICATIONS

ACOUSTIC & ELECTRICAL SPECIFICATIONS:

- Nominal Impedance: 8 ohm
- Power Capacity: Continuous Pink Noise: 150W
Continuous Program: 300W
- Frequency Range: 60 Hz to 15 kHz
- Sensitivity: 100 dB SPL*
- Crossover Frequencies: 2 kHz

SYSTEM COMPONENTS:

- Cabinet: CMI-630
- Grille: N/A
- Low Frequency Transducer: 305mm (12 in.) Cone Transducer (MI-12-1)
- DC Resistance: 5.6 ohm $\pm 10\%$ Aluminum Wire

SYSTEM COMPONENTS: (cont'd)

- High Frequency Transducer: 25mm (1 in.) Pure Titanium Diaphragm Compression Driver (2415H)
- DC Resistance: 4.9 ohm $\pm 10\%$ Copper Wire
- Crossover Network: NMI-630/631 (64459)

AURAL SWEEP TEST SPECIFICATIONS:

- A. System Aural Sweep Test: 7.0V Input, 20 Hz to 20 kHz
- B. L.F. Aural Sweep Test: 8.0V Input, 20 Hz to 1.2 kHz
- C. H.F. Aural Sweep Test: 2.83V Input, 550 Hz to 1.2 kHz

PHYSICAL SPECIFICATIONS:

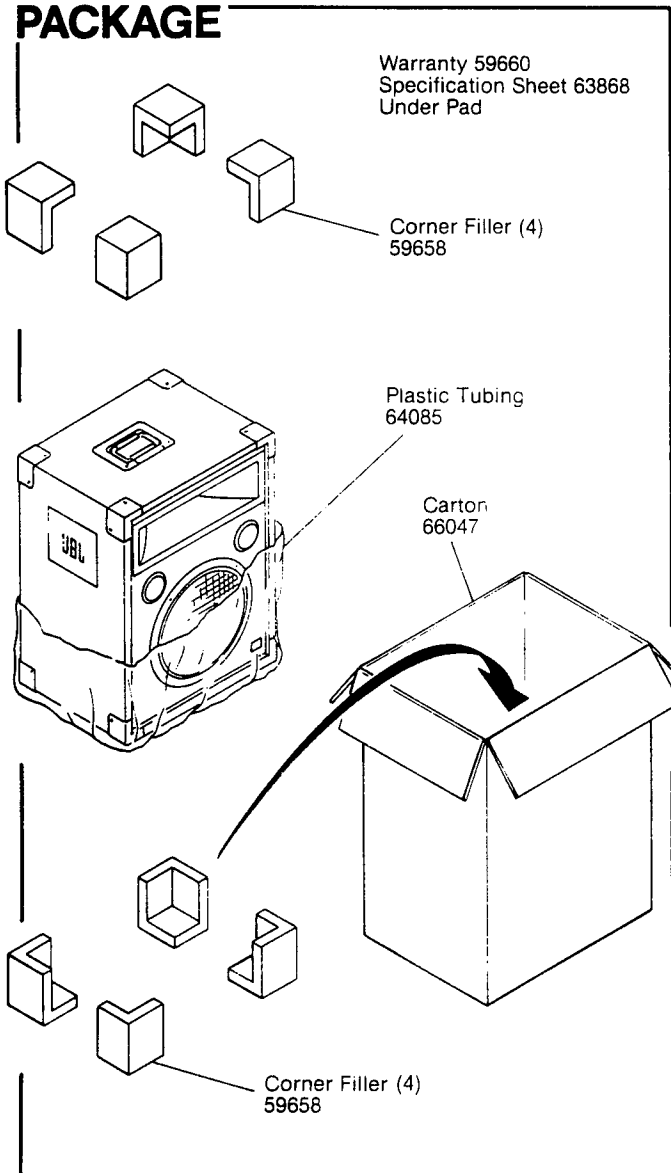
- Enclosure Dimensions: 533mm x 454mm x 287mm D (21.0 x 17.87 x 11.31 in. D)
- Shipping Weight: 48 lbs. (21.8 kg)

WARRANTY INFORMATION:

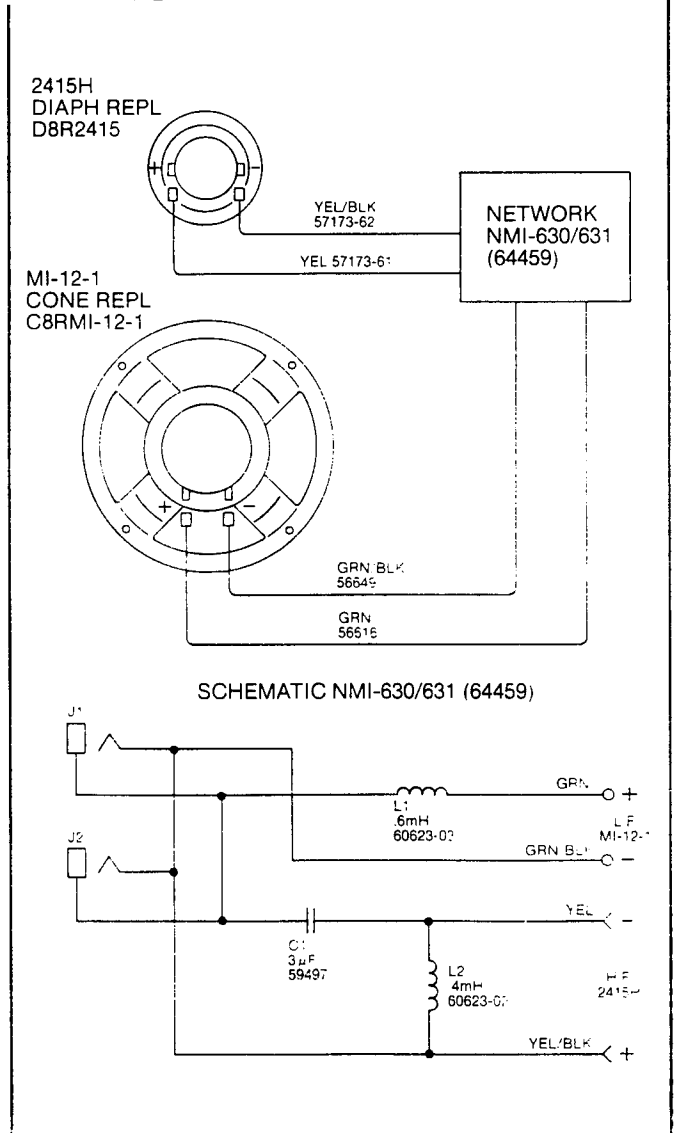
- Refer to the Warranty Statement packed with each product.

*1 Watt (2.83 V RMS) @ 1 Meter

PACKAGE

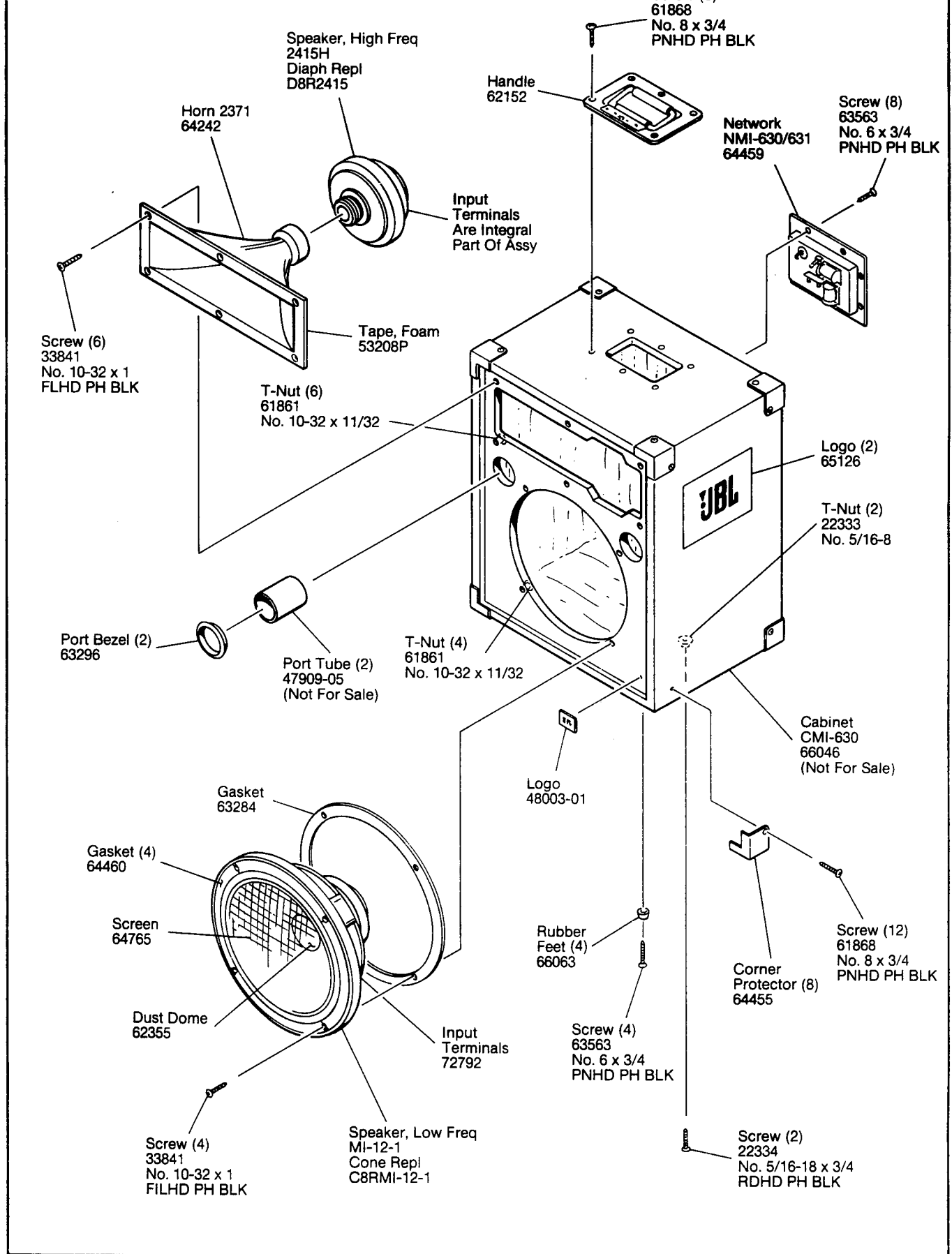


WIRING DIAGRAM



JBL MI-630

COMPONENT EXPLODED VIEW



JBL MI-630