

# Technical Manual



# JBL MI-261

## SPECIFICATIONS

### ACOUSTIC & ELECTRICAL SPECIFICATIONS:

- Nominal Impedance: 8 ohm
- Power Capacity: Continuous Pink Noise: 150W  
Continuous Program: 300W
- Frequency Range: 1.5 kHz to 15 kHz
- Sensitivity: 105 dB SPL\*
- Crossover Frequencies: 1.5 kHz

### SYSTEM COMPONENTS:

- Cabinet: CMI-261
- Grille: N/A
- High Frequency Transducer: 25mm (1 in.) Pure Titanium Diaphragm Compression Driver (2415H)
- DC Resistance: 4.9 ohm  $\pm$  10% Copper Wire

### SYSTEM COMPONENTS: (cont'd)

- Crossover Network: NMI-261 (65559)

### AURAL SWEEP TEST SPECIFICATIONS:

- A. System Aural Sweep Test: 7.0V Input, 20 Hz to 20 kHz
- B. H.F. Aural Sweep Test: 2.83V Input, 550 Hz to 1.2 kHz

### PHYSICAL SPECIFICATIONS:

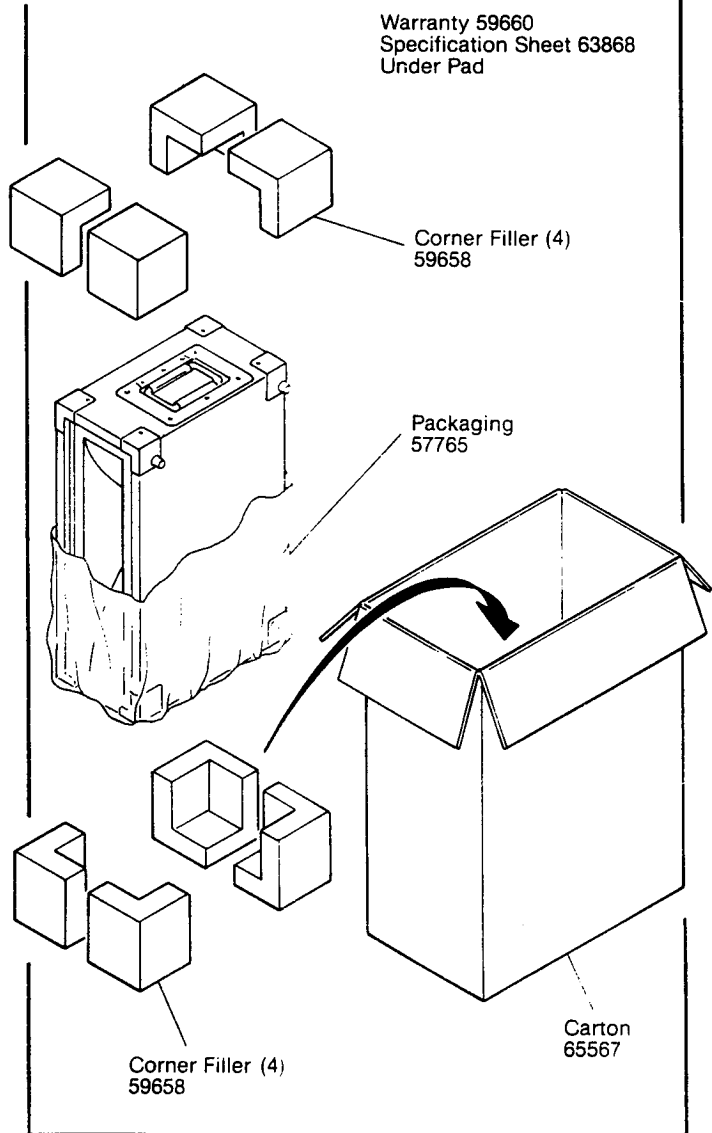
- Enclosure Dimensions: 438mm x 181mm x 282mm D  
(17.25 x 7.12 x 11.12 in. D)
- Shipping Weight: 25 lbs. (11.3 kg)

### WARRANTY INFORMATION:

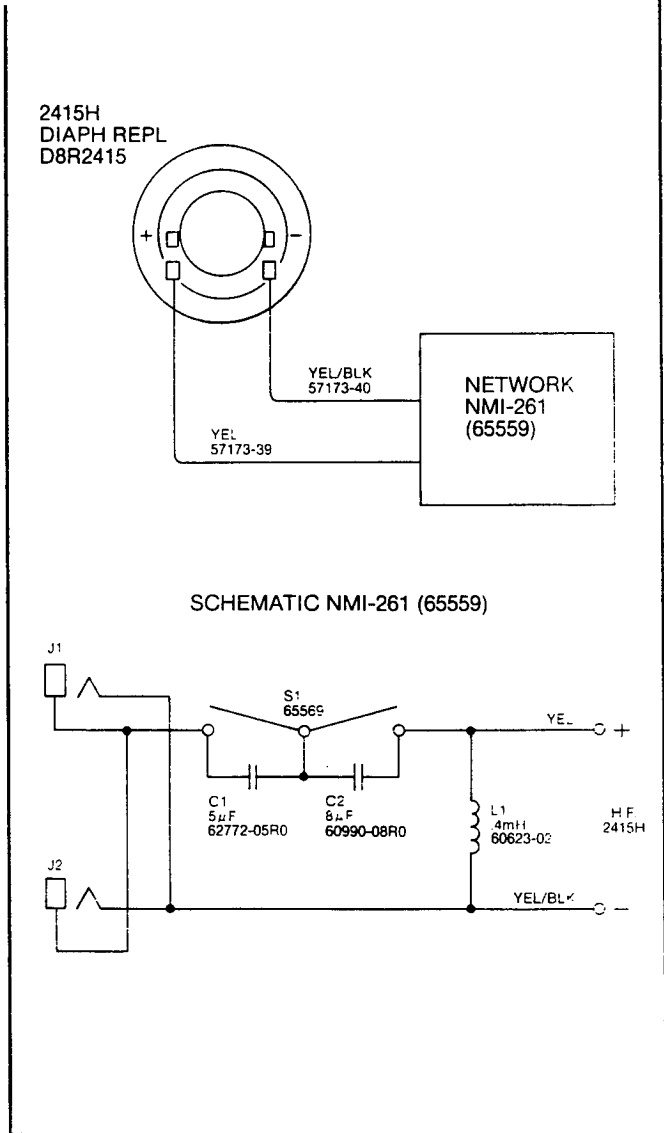
- Refer to the Warranty Statement packed with each product.

\*1 Watt (2.83 V RMS) @ 1 Meter

## PACKAGE



## WIRING DIAGRAM



JBL MI-261 REV B

# JBL MI-261

## COMPONENT EXPLODED VIEW

