

# Technical Manual



# JBL MI-634

## SPECIFICATIONS

### ACOUSTIC & ELECTRICAL SPECIFICATIONS:

- Nominal Impedance: 8 ohm
- Power Capacity: Continuous Pink Noise: 150W  
Continuous Program: 300W
- Frequency Range: 50 Hz to 15 kHz
- Sensitivity: 102 dB SPL\*
- Crossover Frequencies: 1.5 kHz

### SYSTEM COMPONENTS:

- Cabinet: CMI-634
- Grille: Kick Screen 66497
- Low Frequency Transducer: 380mm (15 in.) Cone Transducer (MI-15A)
- DC Resistance: 5.8 ohm  $\pm 10\%$  Copper Wire

### SYSTEM COMPONENTS: (cont'd)

- High Frequency Transducer: 25mm (1 in.) Pure Titanium Diaphragm Compression Driver (2415H)
- DC Resistance: 4.9 ohm  $\pm 10\%$  Copper Wire
- Crossover Network: NMI-634 (66489)

### AURAL SWEEP TEST SPECIFICATIONS:

- A. System Aural Sweep Test: 7.0V Input, 20 Hz to 20 kHz
- B. L.F. Aural Sweep Test: 8.0V Input, 20 Hz to 1.2 kHz
- C. H.F. Aural Sweep Test: 2.83V Input, 550 Hz to 1.2 kHz

### PHYSICAL SPECIFICATIONS:

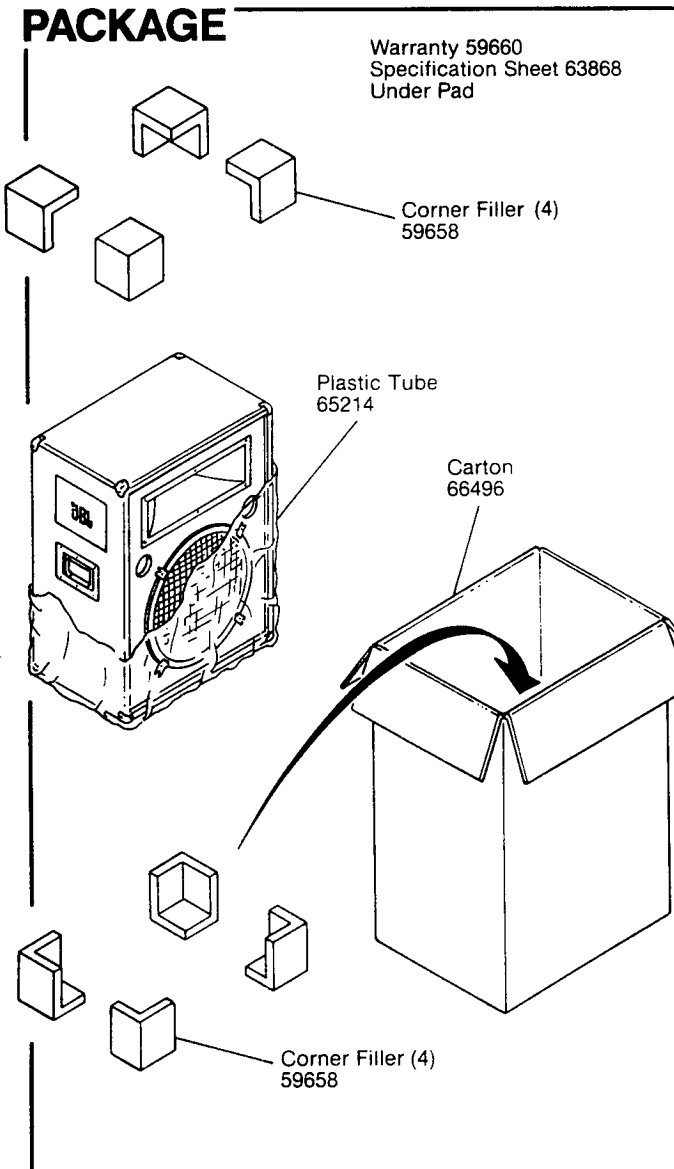
- Enclosure Dimensions: 686mm x 559mm x 292mm D (27.0 x 22.0 x 11.5 in. D)
- Shipping Weight: 75 lbs. (34 kg)

### WARRANTY INFORMATION:

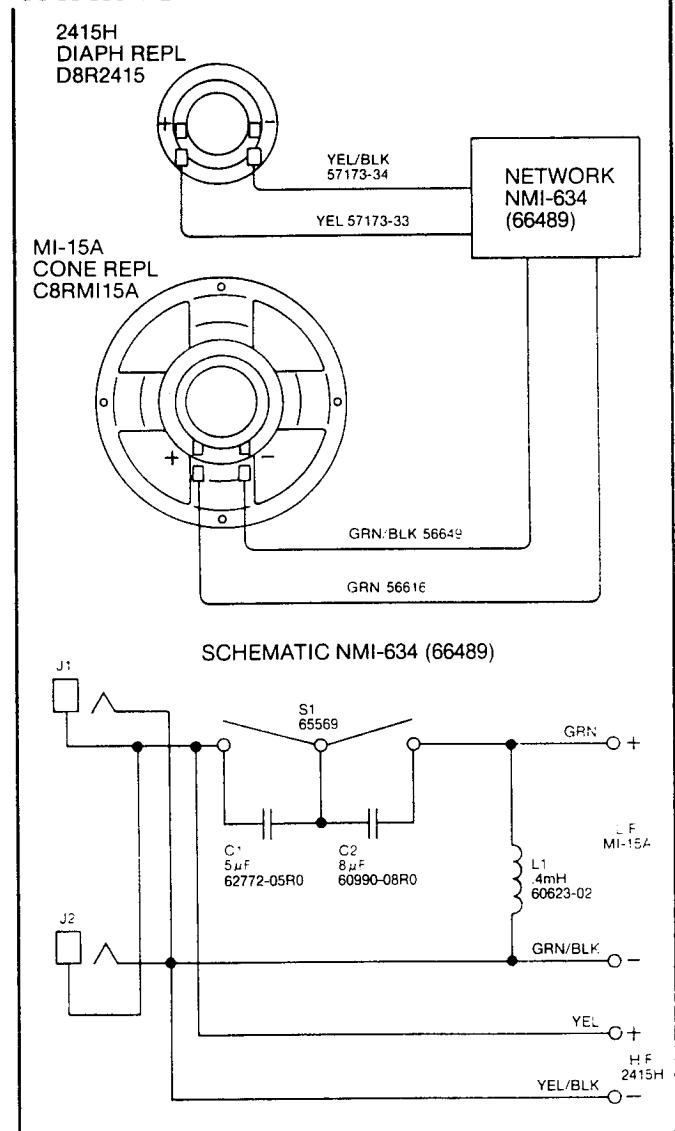
- Refer to the Warranty Statement packed with each product.

\*1 Watt (2.83 V RMS) @ 1 Meter

## PACKAGE

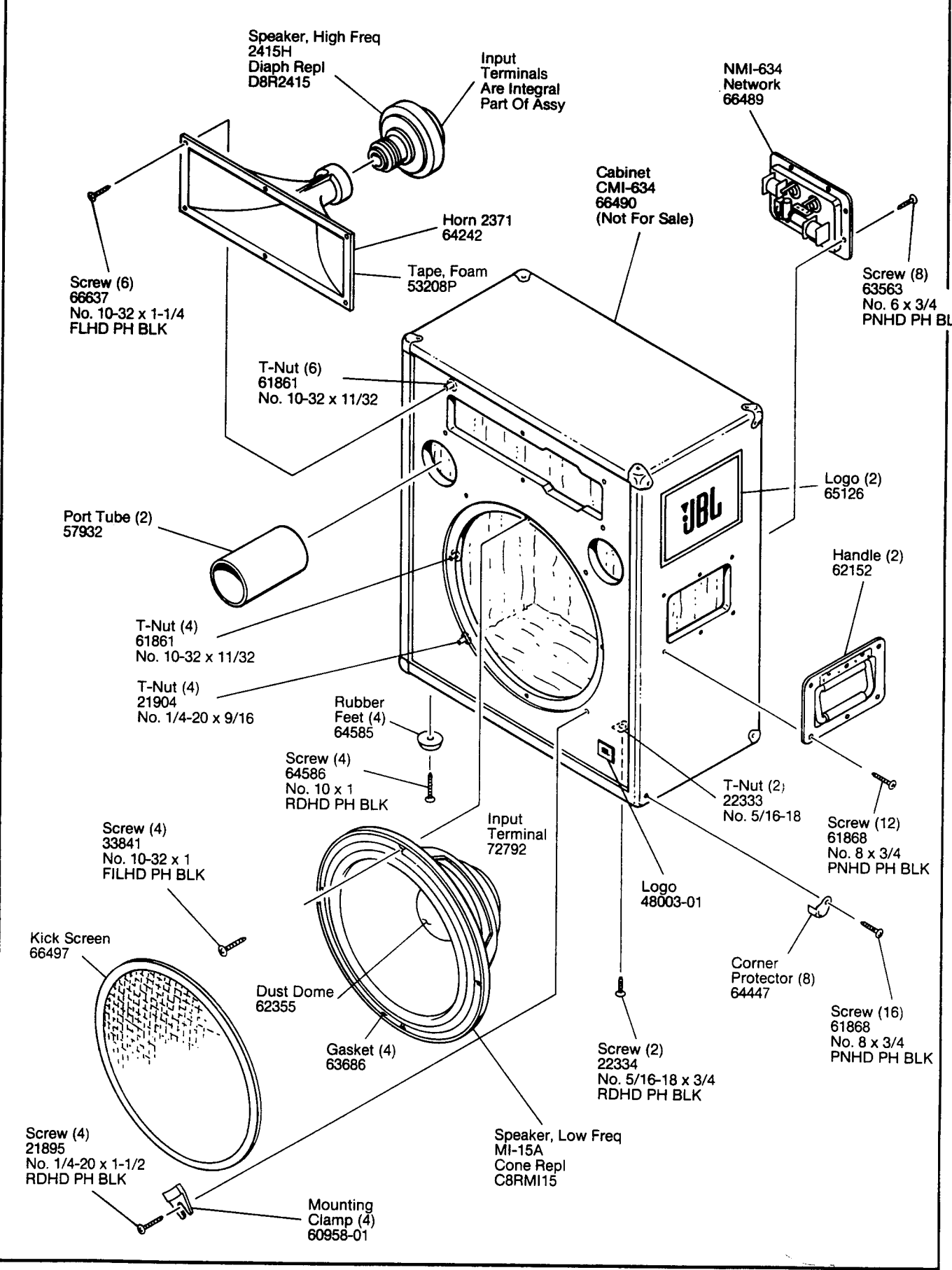


## WIRING DIAGRAM



# JBL MI-634

## COMPONENT EXPLODED VIEW



JBL MI-634