



MR CENTER

SPECIFICATIONS

ACOUSTIC & ELECTRICAL SPECIFICATIONS:

- Nominal Impedance: 8 ohm
- Recommended Amp Power: 10W to 80W
- Frequency Response: 80 Hz to 20 kHz (-6dB)
- Sensitivity: 87 dB SPL*
- Crossover Frequency: 4.5 kHz

SYSTEM COMPONENTS:

- Cabinet: CMR CENTER (Not For Sale)
- Grille: GMR CENTER (305016-001)
- Low Frequency Transducer: SE3.5HB 3-1/2 in. (90mm) (Neo Magnet) Nitrile Polymer Fibre Cone (74860-03) (2)
- DC Resistance: 9.0 ohm $\pm 5\%$

*1 Watt @ 1 Meter

SYSTEM COMPONENTS: (cont'd)

- High Frequency Transducer: (10mm) Composite Dome Transducer 302343-001
- DC Resistance: 5.5 ohm $\pm 10\%$
- Crossover Network: NMR CENTER (305005-001)

AURAL SWEEP TEST SPECIFICATIONS:

- A. System Aural Sweep Test: 5.0V Input, 20 Hz to 20 kHz
- B. L.F. Aural Sweep Test: 4.0V Input, 50 Hz to 5000 Hz
- C. H.F. Aural Sweep Test: 2.0V Input, 1 kHz to 20 kHz

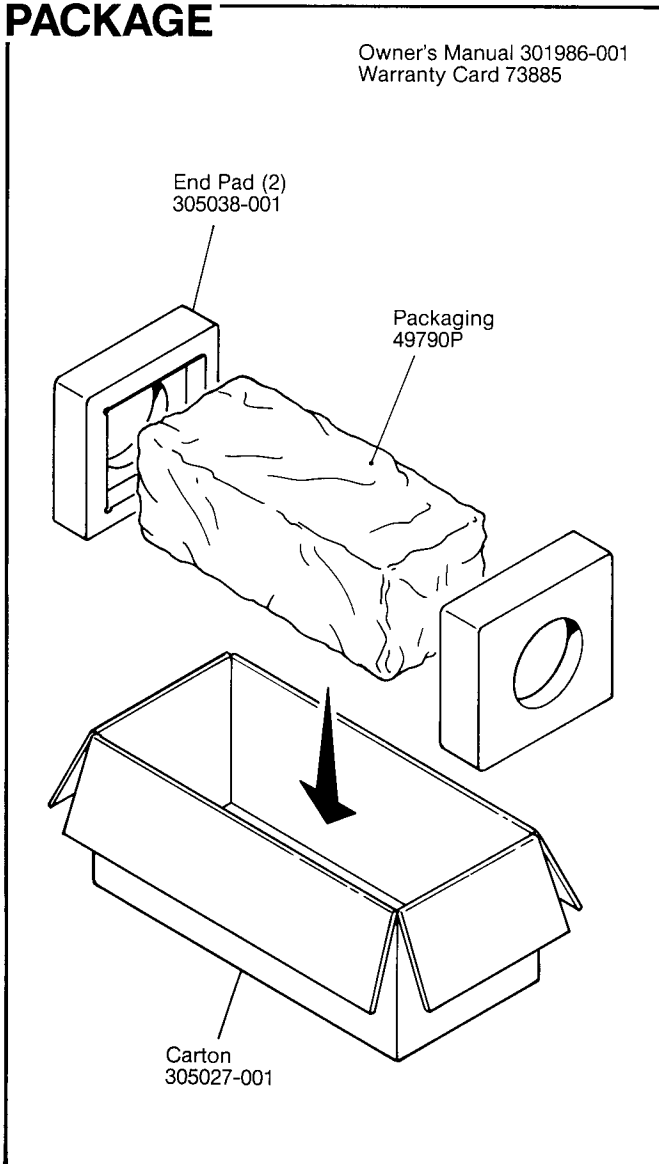
PHYSICAL SPECIFICATIONS:

- Enclosure Dimensions: 5.18 x 14.25 x 6.62 in. D (132mm x 362mm x 168mm D)
- Shipping Weight: 9 lbs. (4.1 kg.)

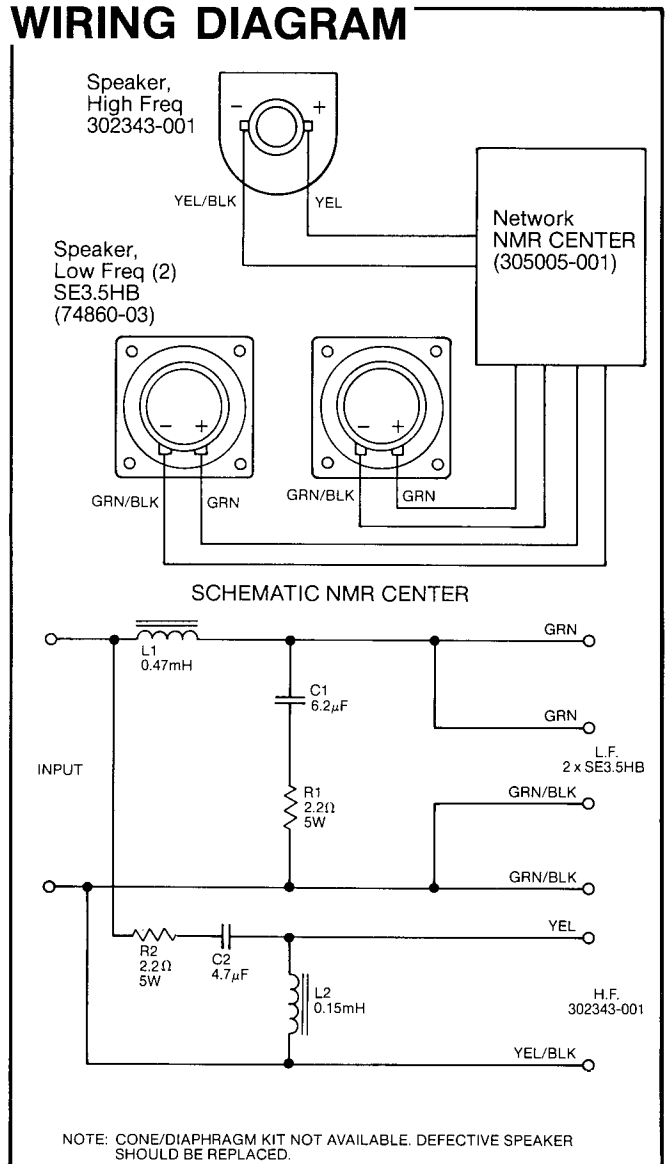
WARRANTY INFORMATION:

- Refer to the Warranty Statement packed with each product.

PACKAGE



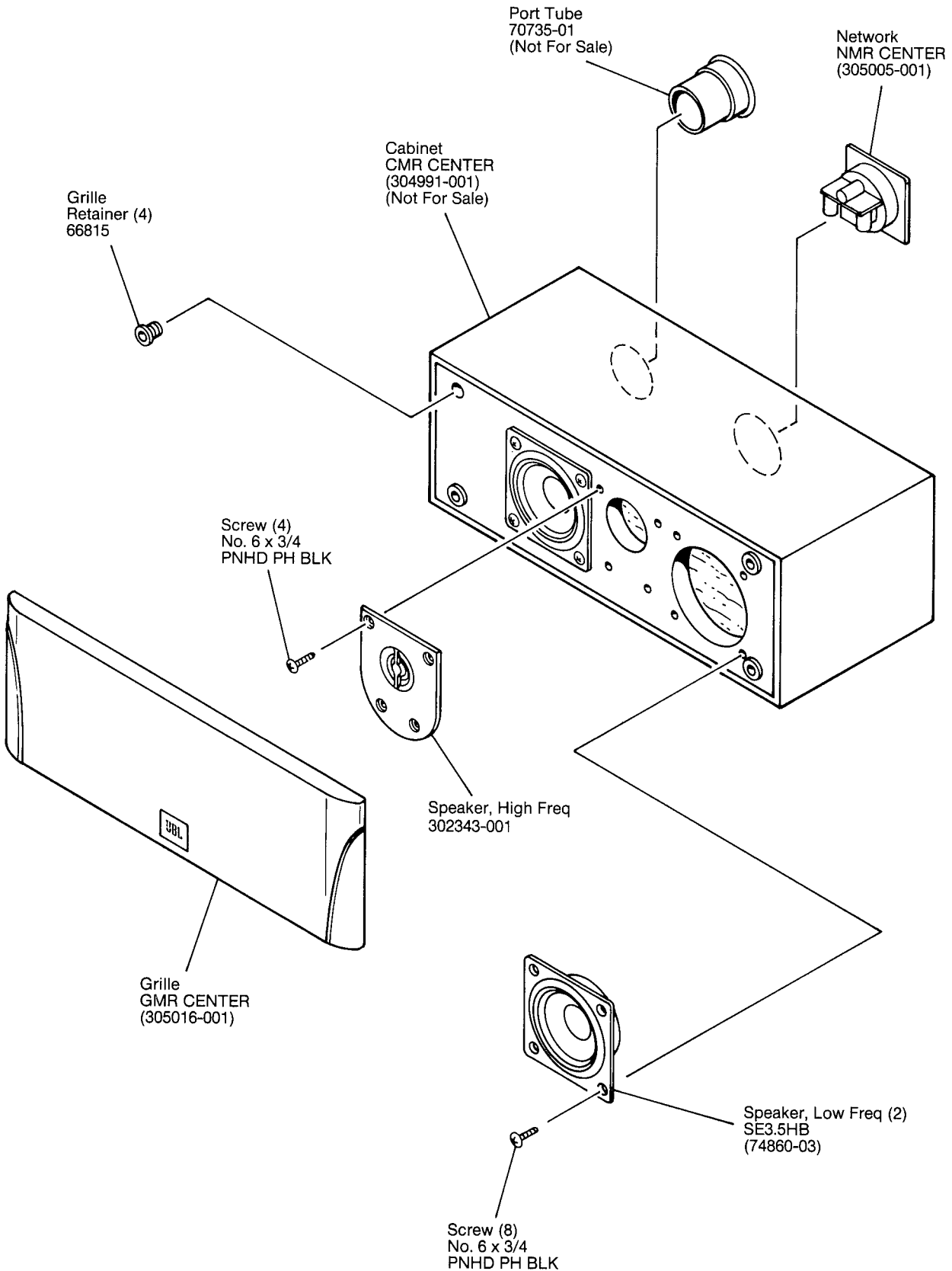
WIRING DIAGRAM



MR CENTER

MR CENTER

COMPONENT EXPLODED VIEW



MR CENTER