

# Technical Manual



# JBL MR802

## SPECIFICATIONS

### ACOUSTIC & ELECTRICAL SPECIFICATIONS:

- Nominal Impedance: 8 ohm
- Power Capacity: Continuous Pink Noise: 250W  
Peak Pink Noise: 1000W
- Frequency Range: 50 Hz to 20 kHz ( $\pm 10$ dB)
- Sensitivity: 100 dB SPL\*
- Crossover Frequencies: 2 kHz

### SYSTEM COMPONENTS:

- Cabinet: CMR802
- Grille: GMR822 (73223)
- Low Frequency Transducer: 300mm (12 in.) Cone Transducer 2022H (72778-01)
- DC Resistance: 4.65 ohm  $\pm 10\%$  - Aluminum Wire

### SYSTEM COMPONENTS: (cont'd)

- High Frequency Transducer: 25mm (1 in.) Pure Titanium Compression Driver 2416H-1 (64315-02)
- DC Resistance: 3.2 ohm  $\pm 8\%$  - Aluminum Wire
- Crossover Network: NMR802 (73224-01)

### AURAL SWEEP TEST SPECIFICATIONS:

- A. System Aural Sweep Test: 7.0V Input, 20 Hz to 20 kHz
- B. L.F. Aural Sweep Test: 7.0V Input, 20 Hz to 1.2 kHz
- C. H.F. Aural Sweep Test: 2.83V Input, 550 Hz to 1.2 kHz

### PHYSICAL SPECIFICATIONS:

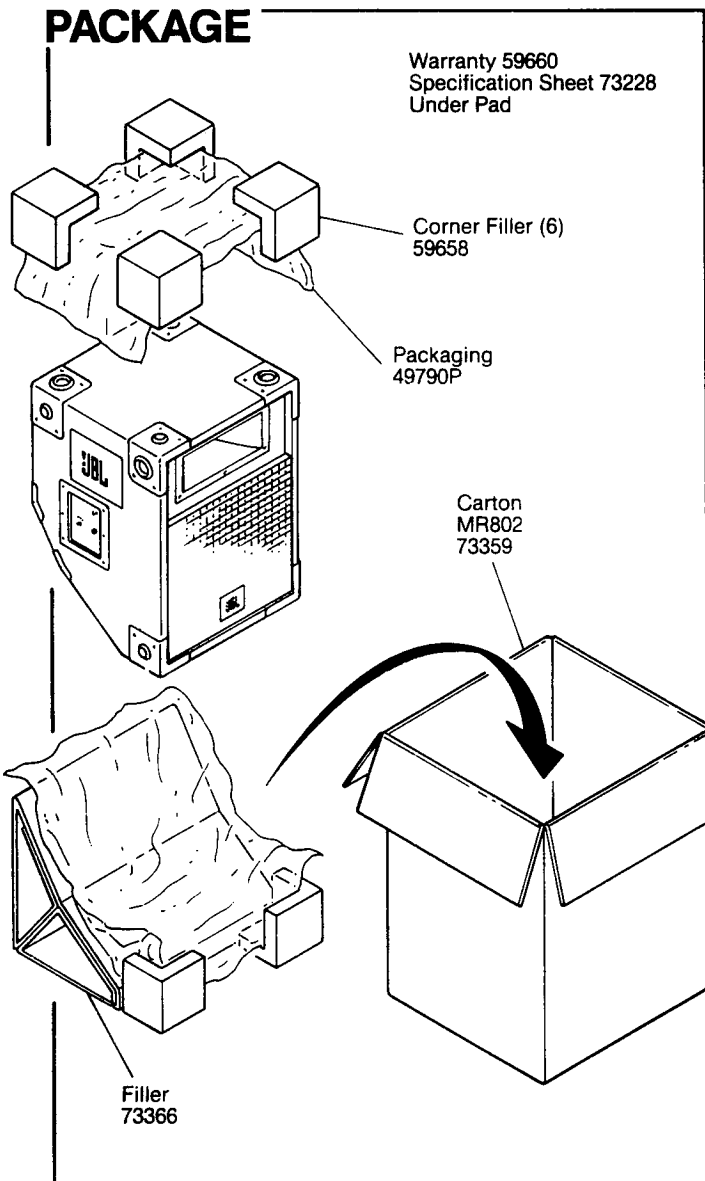
- Enclosure Dimensions: 441mm x 590mm x 403mm D (23.25 x 17.0 x 16.0 in. D)
- Shipping Weight: 60 lbs. (27.2 kg)

### WARRANTY INFORMATION:

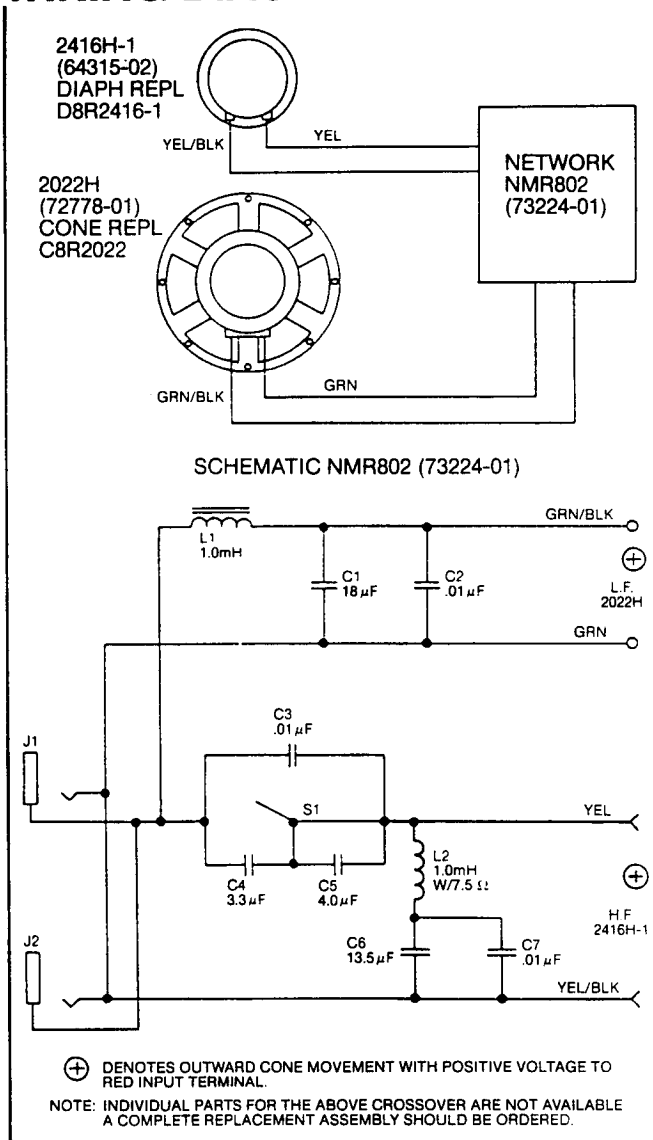
- Refer to the Warranty Statement packed with each product.

\*1 Watt (2.83 V RMS) @ 1 Meter

## PACKAGE

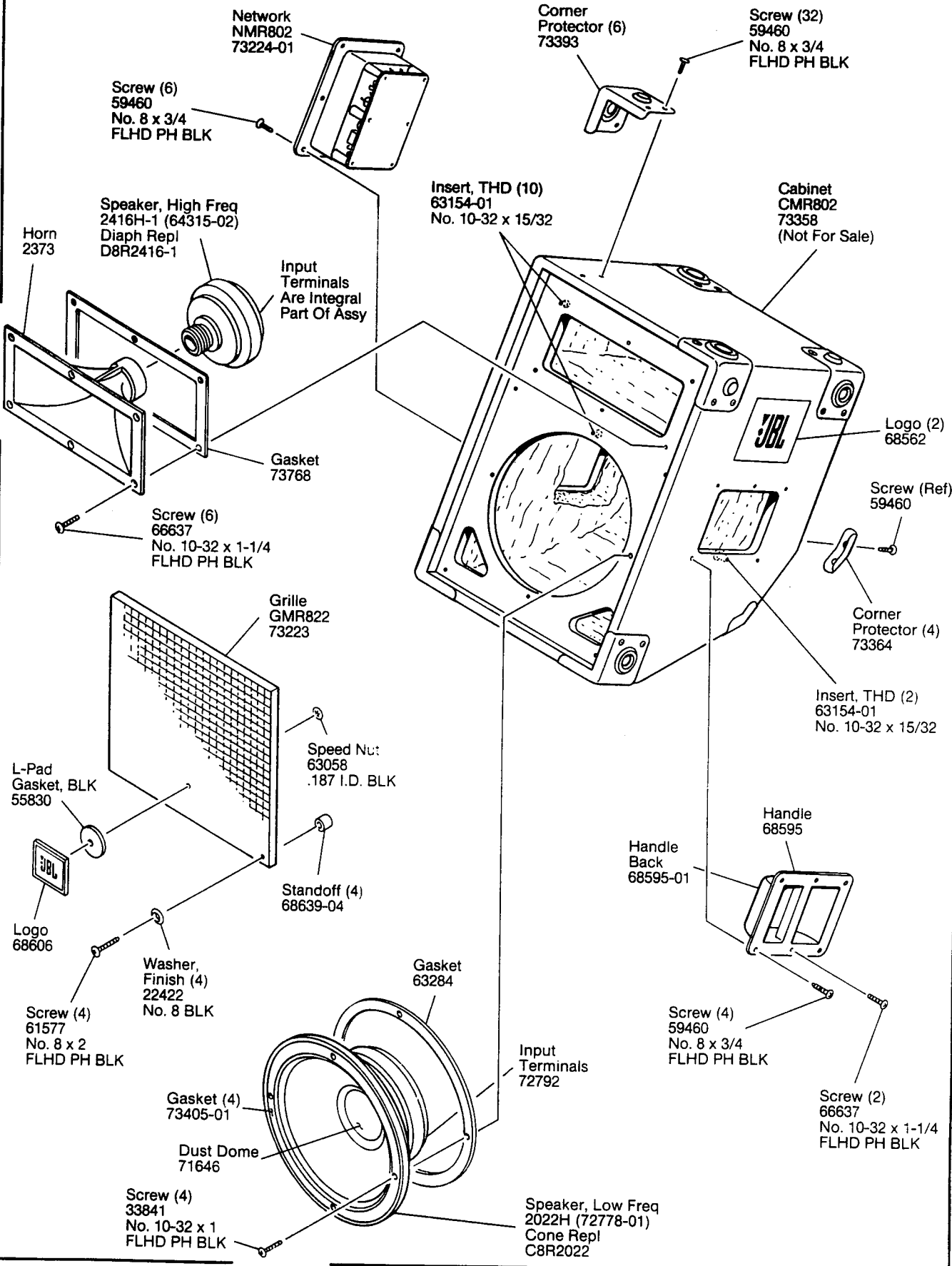


## WIRING DIAGRAM



# JBL MR802

## COMPONENT EXPLODED VIEW



JBL MR802