

Technical Manual



JBL MR815

SPECIFICATIONS

ACOUSTIC & ELECTRICAL SPECIFICATIONS:

- Nominal Impedance: 8 ohm
- Power Capacity: Continuous Pink Noise: 300W
Peak Pink Noise: 1200W
- Frequency Range: 55 Hz to 4 kHz (± 10 dB)
- Sensitivity: 100 dB SPL*
- Crossover Frequencies: N/A

SYSTEM COMPONENTS:

- Cabinet: CMR815
- Grille: GMR815 (73638)
- Low Frequency Transducer: 380mm (15 in.) Cone Transducer (M151-8)
- DC Resistance: 4.8 ohm $\pm 10\%$ - Aluminum Wire

*1 Watt (2.83 V RMS) @ 1 Meter

SYSTEM COMPONENTS: (cont'd)

- Crossover Network: NMR815 (73562)

AURAL SWEEP TEST SPECIFICATIONS:

- A. System Aural Sweep Test: 7.0V Input, 20 Hz to 20 kHz
- B. L.F. Aural Sweep Test: 7.0V Input, 20 Hz to 1.2 kHz

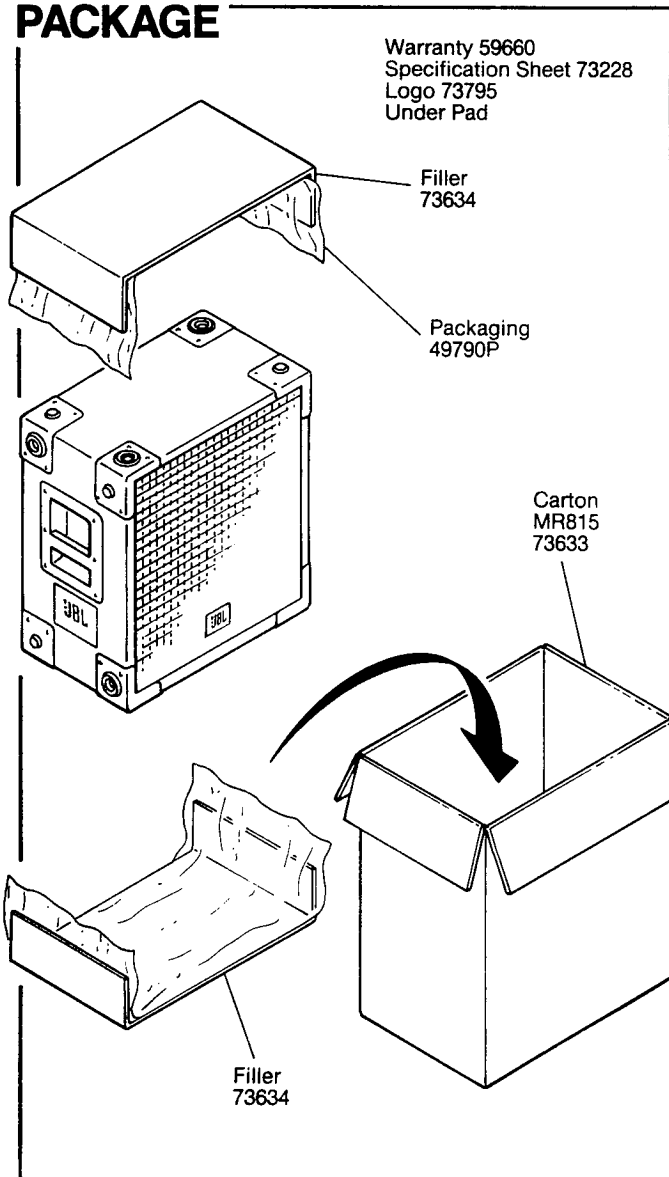
PHYSICAL SPECIFICATIONS:

- Enclosure Dimensions: 578mm x 527mm x 311mm D
(22.75 x 20.75 x 12.25 in. D)
- Shipping Weight: 56 lbs. (25.5 kg)

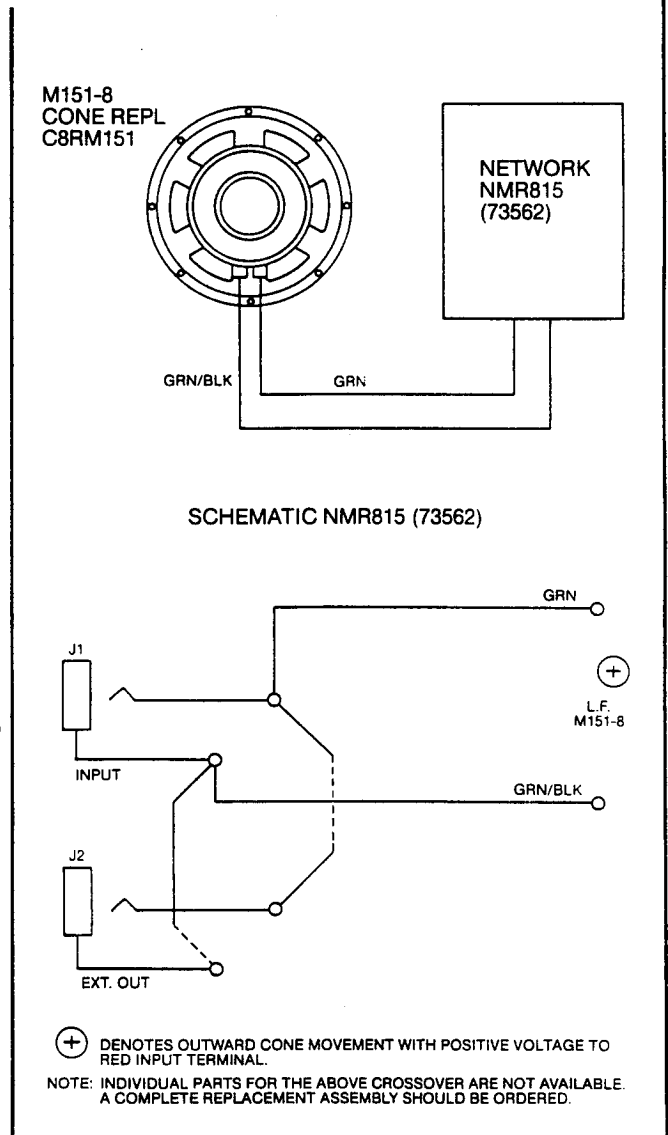
WARRANTY INFORMATION:

- Refer to the Warranty Statement packed with each product.

PACKAGE



WIRING DIAGRAM



JBL MR815

COMPONENT EXPLODED VIEW

