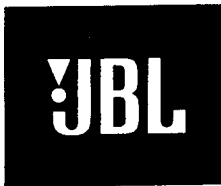


Technical Manual



JBL MR835

SPECIFICATIONS

ACOUSTIC & ELECTRICAL SPECIFICATIONS:

- Nominal Impedance: 8 ohm
- Power Capacity: Continuous Pink Noise: 250W
Peak Pink Noise: 1000W
- Frequency Range: 38 Hz to 20 kHz (± 10 dB)
- Sensitivity: 100 dB SPL*
- Crossover Frequencies: 850 Hz, 2.2 kHz

SYSTEM COMPONENTS:

- Cabinet: CMR835
- Grille: GMR835 (73387)
- Low Frequency Transducer: 380mm (15 in.) Cone Transducer 2032H (72782-01)
- DC Resistance: 4.25 ohm $\pm 10\%$ - Aluminum Wire
- Mid Frequency Transducer: 200mm (8 in.) Cone Transducer (2118H)
- DC Resistance: 5.3 ohm $\pm 10\%$ - Copper Wire

*1 Watt (2.83 V RMS) @ 1 Meter

SYSTEM COMPONENTS: (cont'd)

- High Frequency Transducer: 25mm (1 in.) Pure Titanium Compression Driver 2416H-1 (64315-02)
- DC Resistance: 3.2 ohm $\pm 8\%$ - Aluminum Wire
- Crossover Network: NMR835 (73388)

AURAL SWEEP TEST SPECIFICATIONS:

- A. System Aural Sweep Test: 7.0V Input, 20 Hz to 20 kHz
- B. L.F. Aural Sweep Test: 7.0V Input, 20 Hz to 1.2 kHz
- C. M.F. Aural Sweep Test: 7.0V Input, 20 Hz to 1.2 kHz
- D. H.F. Aural Sweep Test: 2.83V Input, 550 Hz to 1.2 kHz

PHYSICAL SPECIFICATIONS:

- Enclosure Dimensions: 714mm x 714mm x 457mm D (28.12 x 28.12 x 18.0 in. D)
- Shipping Weight: 100 lbs. (45.4 kg)

WARRANTY INFORMATION:

- Refer to the Warranty Statement packed with each product.

PACKAGE

Warranty 59660
Specification Sheet 73228
Under Pad

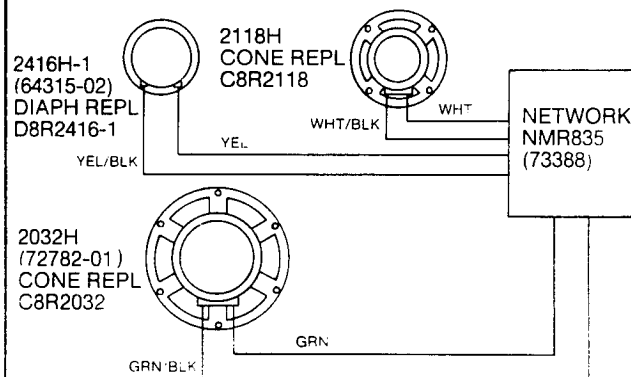
End Pad.
Front (2)
73226

Packaging
49790P

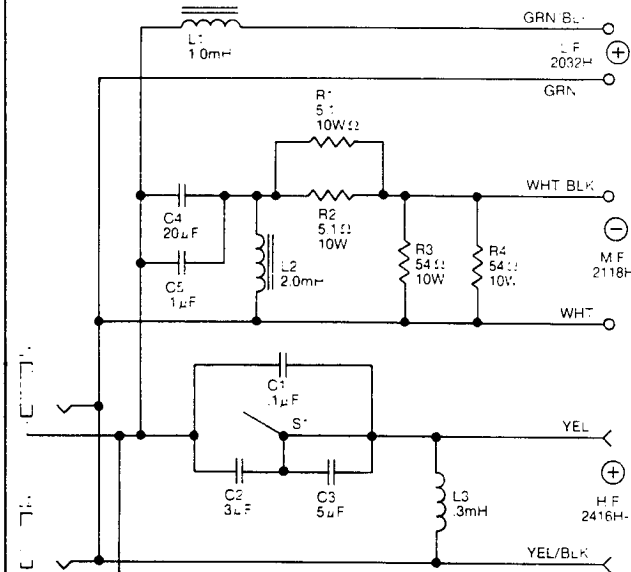
Carton
MR835
73385

End Pad,
Rear (2)
73380

WIRING DIAGRAM



SCHEMATIC NMR835 (73388)

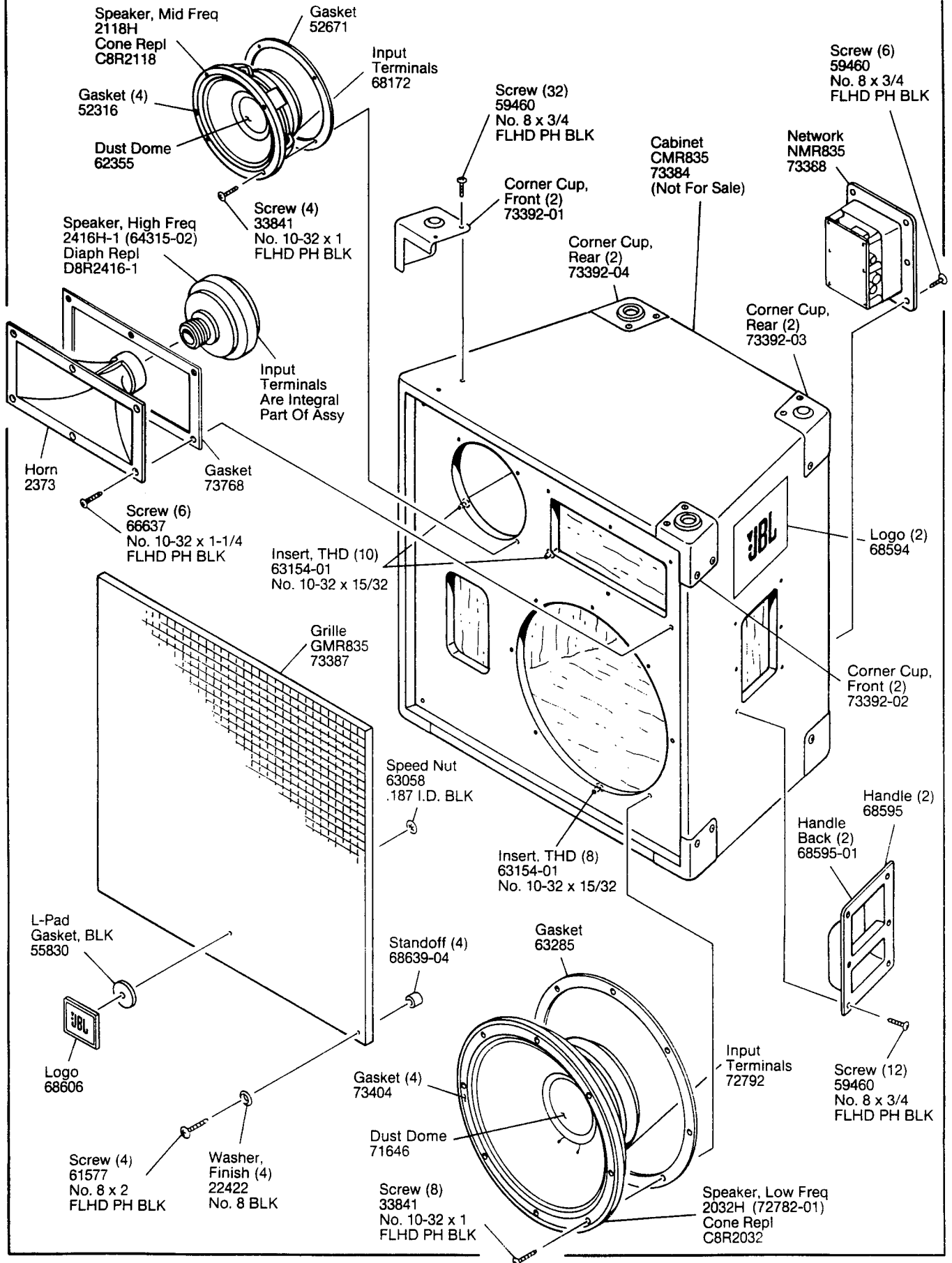


⊕ DENOTES OUTWARD CONE MOVEMENT WITH POSITIVE VOLTAGE TO RED INPUT TERMINAL

NOTE: INDIVIDUAL PARTS FOR THE ABOVE CROSSOVER ARE NOT AVAILABLE A COMPLETE REPLACEMENT ASSEMBLY SHOULD BE ORDERED

JBL MR835

COMPONENT EXPLODED VIEW



JBL MR835