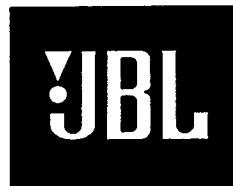


NJ-20



SPECIFICATIONS

ACOUSTIC & ELECTRICAL SPECIFICATIONS:

- Nominal Impedance: 8 ohm
- Recommended Amp Power: 10-125W
- Frequency Response: 50 Hz - 20 kHz (- 6dB)
- Sensitivity: 87 dB / 2,83V / 1 m
- Crossover frequency: 3 kHz

SYSTEM COMPONENTS:

- Cabinet: CNJ20 (Not for sale)
- Grille: GNJ20 (2408940)
- Woofer: NJ170-5 165mm Woofer
30mm voice coil
- DC Resistance: 4,8 ohm

SYSTEM COMPONENTS: (cont'd)

- Tweeter: NJ026T 25mm
Titanium Dome Tweeter
- DC Resistance: 4,3 ohm
- Crossover Network: NNJ20 (2708940)

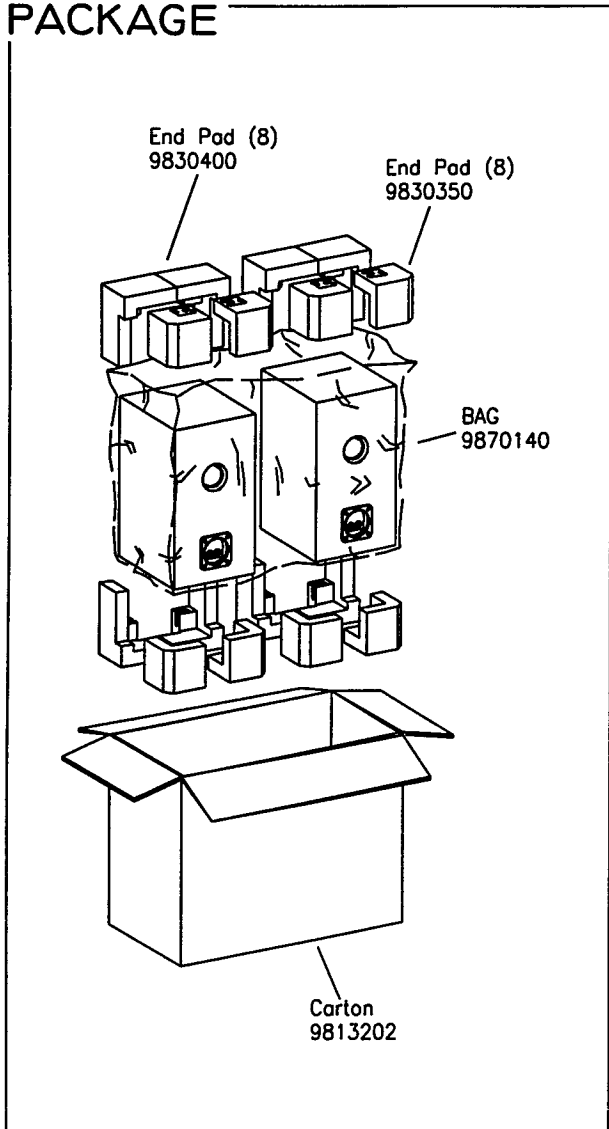
PHYSICAL SPECIFICATIONS:

- Enclosure Dimensions (H.W.D): 15,8x8,7x11,1 in. D
(400x220x283mm D)
- Shipping Weight: 35 lbs. (16 kg.)

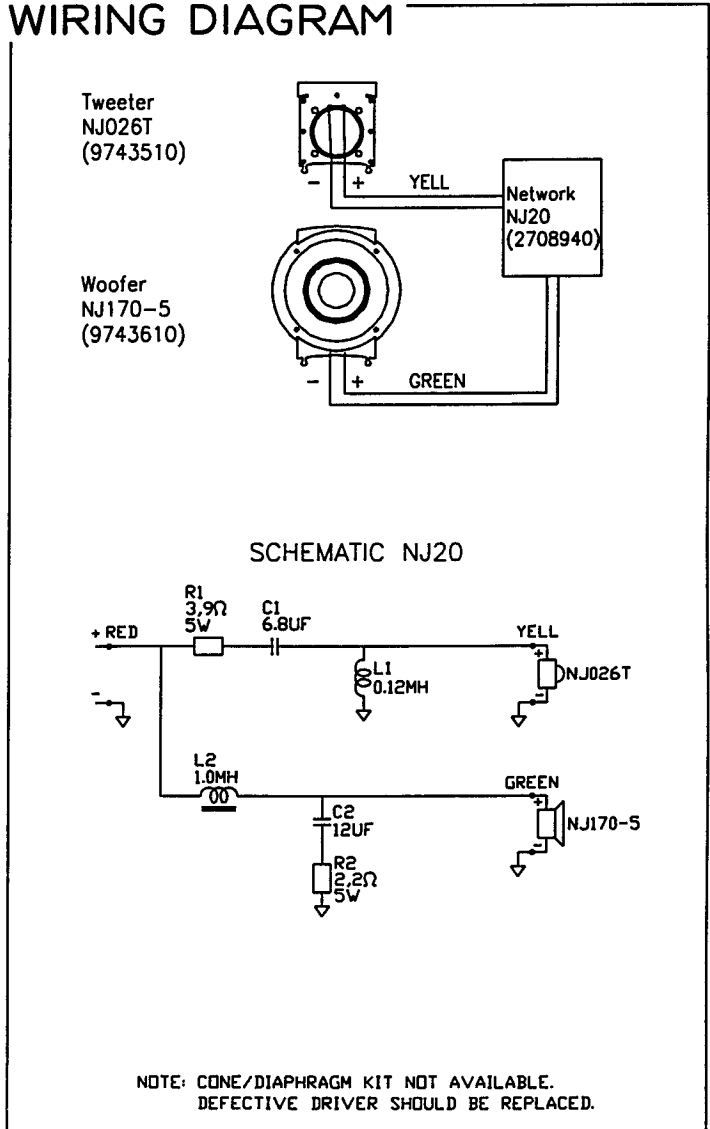
WARRANTY INFORMATION:

- Refer to the Warranty Statement packed with each product

PACKAGE



WIRING DIAGRAM



NJ-20

Valid from serial no. 01001 (BK)
Valid from serial no. 01001 (CH)
Rev. 11/09-1996

COMPONENT EXPLODED VIEW

