



# NJ40

## SPECIFICATIONS

### ACOUSTIC & ELECTRICAL SPECIFICATIONS:

- Nominal Impedance: 6 ohm
- Recommended Amp Power: 10-175W
- Frequency Response: 45 Hz - 20 kHz (-6dB)
- Sensitivity: 88 dB / 2,83V / 1 m
- Crossover frequency: 600 HZ / 2,5 KHZ

### SYSTEM COMPONENTS:

- Cabinet: CNJ40 (Not for sale)
- Grille: GNJ40 (2409020)
- Woofer: NJ210-5 210mm Woofer  
38mm voice coil
- DC Resistance: 5 ohm
- Midrange: NJ130-M 130mm Midrange  
30mm voice coil

### SYSTEM COMPONENTS: (cont'd)

- DC Resistance: 4,6 ohm
- Tweeter: NJ026T 25mm  
Titanium Dome Tweeter
- DC Resistance: 4,3 ohm
- Crossover Network: NNJ40 (2709020)

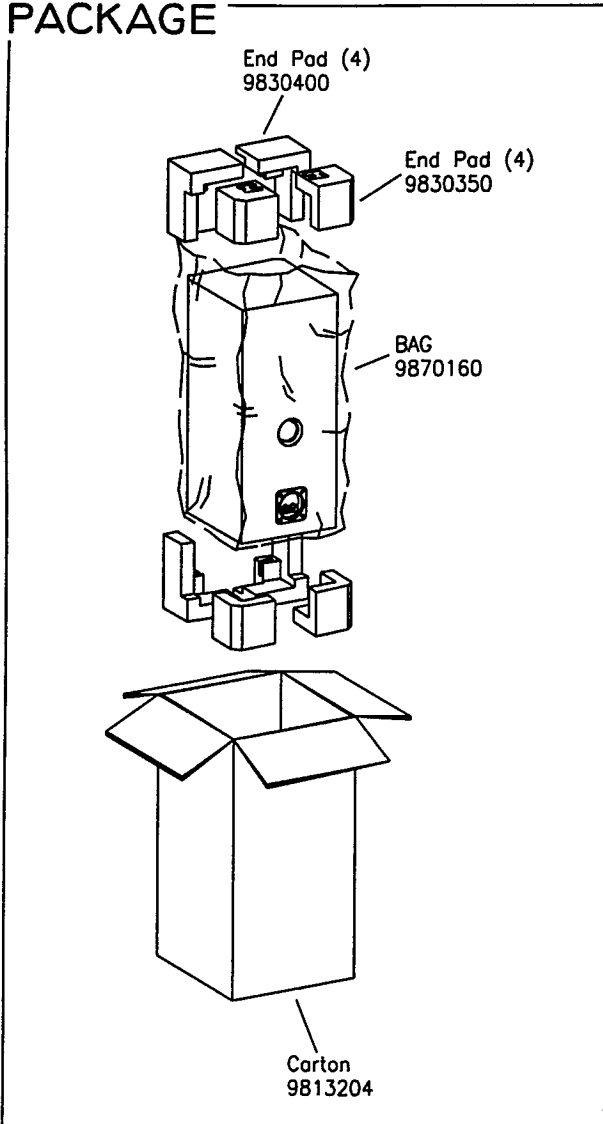
### PHYSICAL SPECIFICATIONS:

- Enclosure Dimensions (H.W.D): 23,6x10,4x12,1 In. D  
(600x264x307mm D)
- Shipping Weight: 32 lbs. (14,5 kg.)

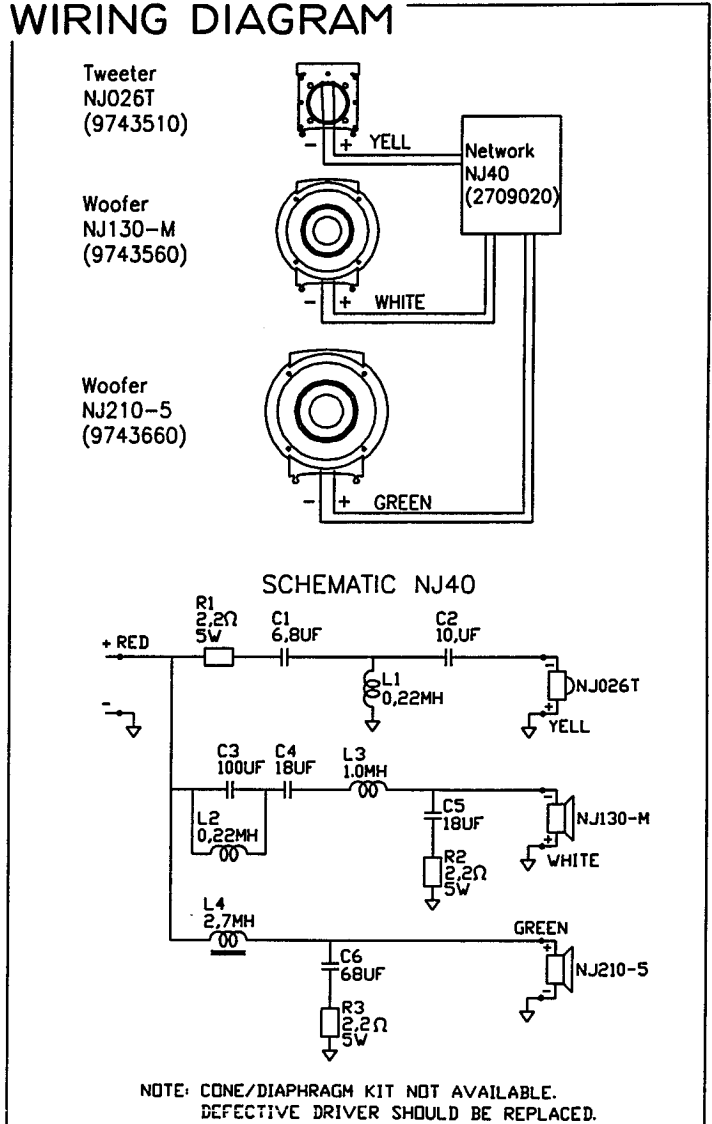
### WARRANTY INFORMATION:

- Refer to the Warranty Statement packed with each product

## PACKAGE



## WIRING DIAGRAM



NJ40

Valid from serial no. 01001 (BK)  
Valid from serial no. 01001 (CH)  
Rev. 13/09-1996

# NJ40

## COMPONENT EXPLODED VIEW

