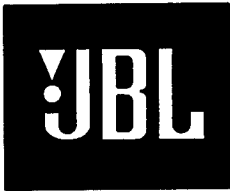


NJ80 MKII



SPECIFICATIONS

ACOUSTIC & ELECTRICAL SPECIFICATIONS:

- * Nominal Impedance: 6 ohm
- * Recommended Amp Power: 10-200W
- * Frequency Response: 45 Hz - 20 kHz (-6dB)
- * Sensitivity: 88 dB / 2,83V / 1 m
- * Crossover frequency: 600 HZ / 2,5 KHZ

SYSTEM COMPONENTS:

- * Cabinet: CNJ80 MKII (Not for sale)
- * Grille: GNJ80 MKII (2409400) (Black)
- * Grille: GNJ80 MKII (2409402) (Brown)
- * Woofer: LX170-897 165mm Woofer
30mm voice coil
- DC Resistance: 9,2 ohm
- * Midrange: LX130-97M 130mm Midrange
30mm voice coil

SYSTEM COMPONENTS: (cont'd)

- DC Resistance: 4,6 ohm
- * Tweeter: LX026T-97 25mm
Titanium Dome Tweeter
- DC Resistance: 4,3 ohm
- * Crossover Network: NNJ80 MKII (2709400)

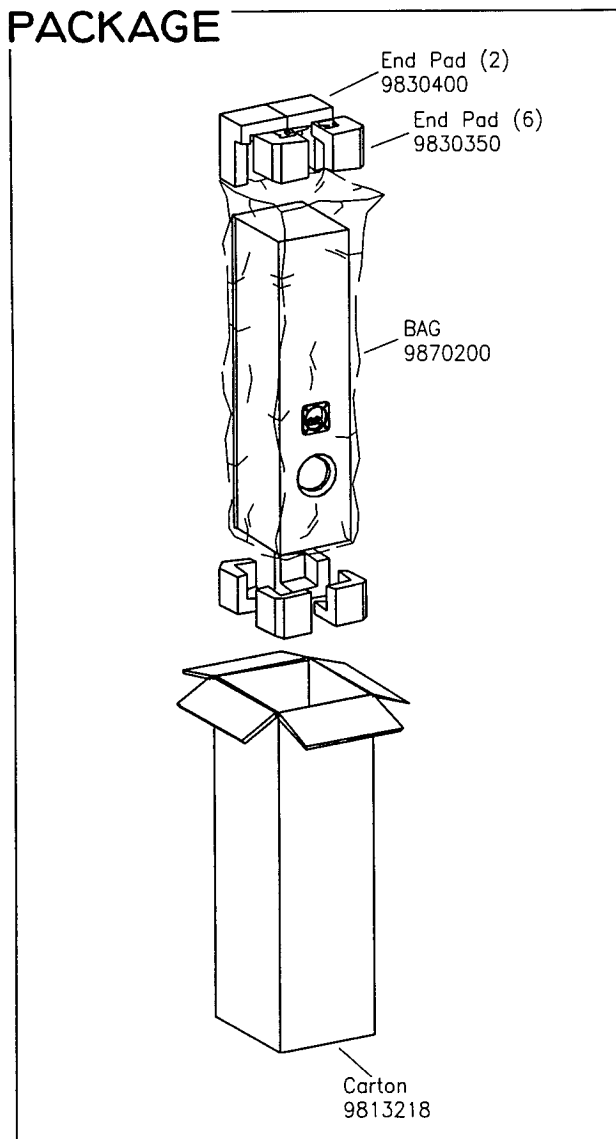
PHYSICAL SPECIFICATIONS:

- * Enclosure Dimensions (H.W.D): 35,4x8,7x11,4 In. D
(900x220x289mm D)
- * Shipping Weight: 37 lbs. (17 kg.)

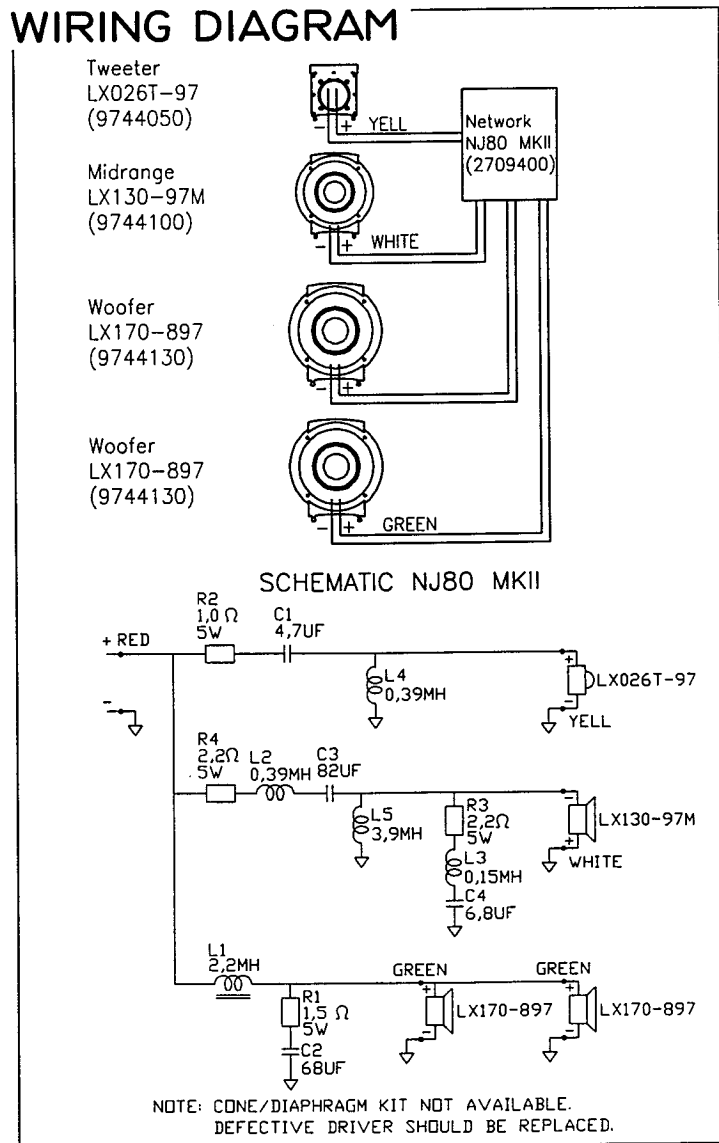
WARRANTY INFORMATION:

- * Refer to the Warranty Statement packed with each product

PACKAGE



WIRING DIAGRAM

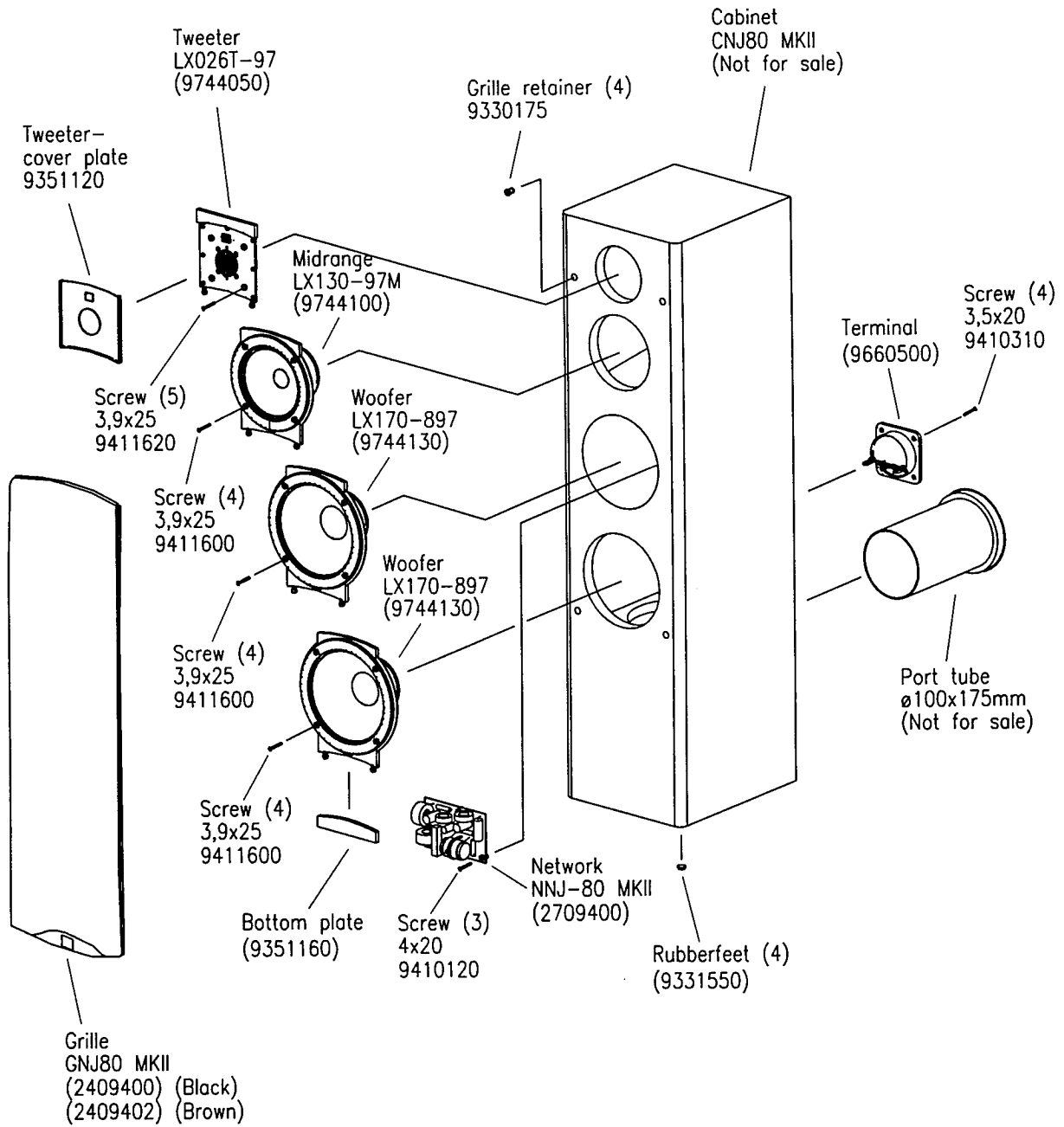


NJ80 MKII

Valid from serial no. 01001
Rev. 24/11-1997

NJ80 MKII

COMPONENT EXPLODED VIEW



NJ80 MKII