



P10

SPECIFICATIONS

ACOUSTIC & ELECTRICAL SPECIFICATIONS:

- Nominal Impedance: 6 ohm
- Recommended Power: 10W to 50W
- Frequency Response: 70 Hz to 20 kHz (± 6 dB)
- Sensitivity: 87 dB SPL*
- Crossover Frequencies: 3.5 kHz

SYSTEM COMPONENTS:

- Cabinet: CP10
- Grille: GP10
- Low Frequency Transducer: 203G 5-1/4 in. (130mm) Cone Transducer
- DC Resistance: 4.0 ohm $\pm 10\%$ Copper Wire
- High Frequency Transducer: ~~TW023EX~~ 1 in. (25mm) Titanium Laminate
73959 1/2 in. (12mm) Vapor-Deposited Titanium Dome

*1 Watt @ 1 Meter

SYSTEM COMPONENTS: (cont'd)

- DC Resistance: 6.0 ohm $\pm 10\%$ Copper Wire
- Crossover Network: NP10

AURAL SWEEP TEST SPECIFICATIONS:

- A. System Aural Sweep Test: 6.0V Input, 20 Hz to 20 kHz
- B. L.F. Aural Sweep Test: 6.0V Input, 20 Hz to 3.5 kHz
- C. H.F. Aural Sweep Test: 2.83V Input, 2 kHz to 20 kHz

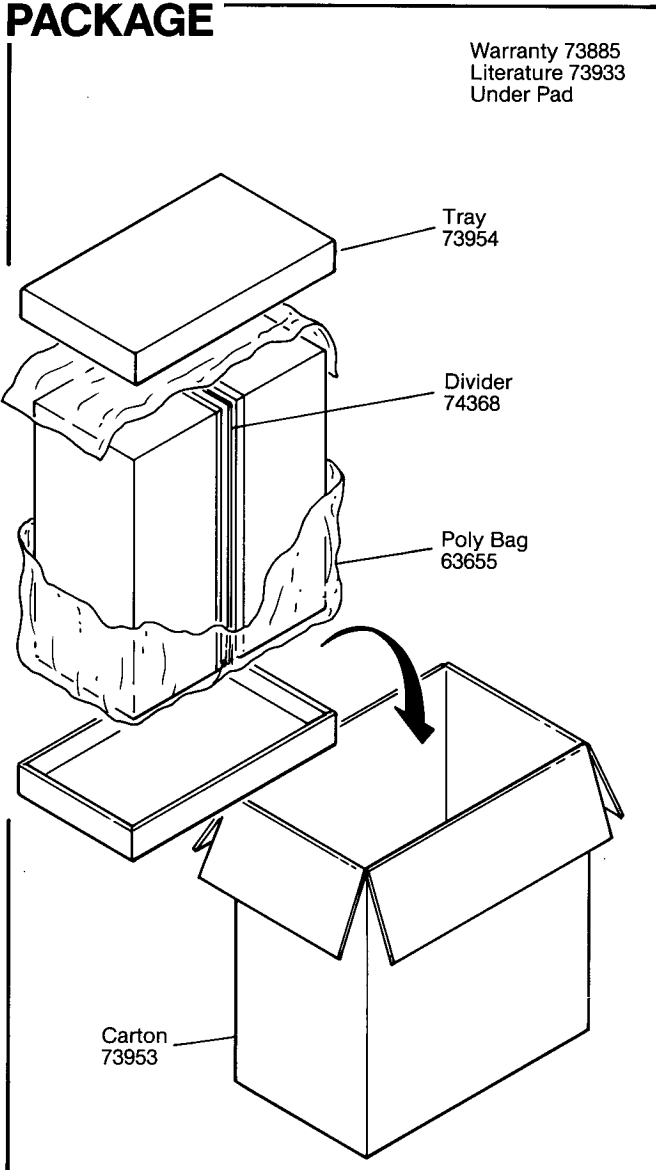
PHYSICAL SPECIFICATIONS:

- Enclosure Dimensions: 12.18 x 7.12 x 8.75 in. D (310mm x 181mm x 222mm D)
- Shipping Weight: 8 lbs. (3.6 kg.)

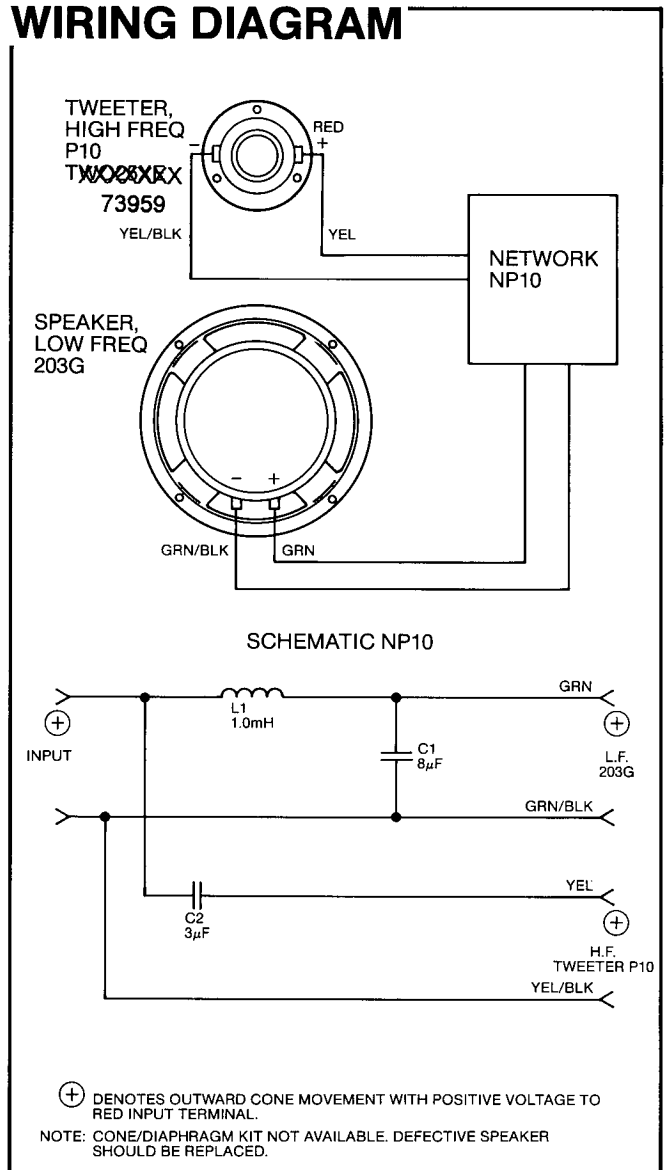
WARRANTY INFORMATION:

- Refer to the Warranty Statement packed with each product.

PACKAGE



WIRING DIAGRAM



COMPONENT EXPLODED VIEW

