

JBL P20



SPECIFICATIONS

AQOUSTIC & ELECTRICAL SPECIFICATIONS:

- Nominal Impedance: 6 ohm
- Recommended Amp Power: 10 W to 60 W
- Frequency Response: 55 Hz to 20 kHz
- Sensitivity: 88 dB*
- Crossover Frequency: 3 kHz

SYSTEM COMPONENTS:

- Cabinet: 210417 (walnut)
- Grille: GP20 (grey)
- *1 Watt (2,83 V RMS) @ 1 Meter

SYSTEM COMPONENTS: (cont'd)

- Low Frequency Transducer: 166 mm (6,5 In) High Polymer Laminate (206H)
- High Frequency Transducer: 26 mm (1 In) Titanium Laminate (TWO25XE)
- Crossover Network: NP20

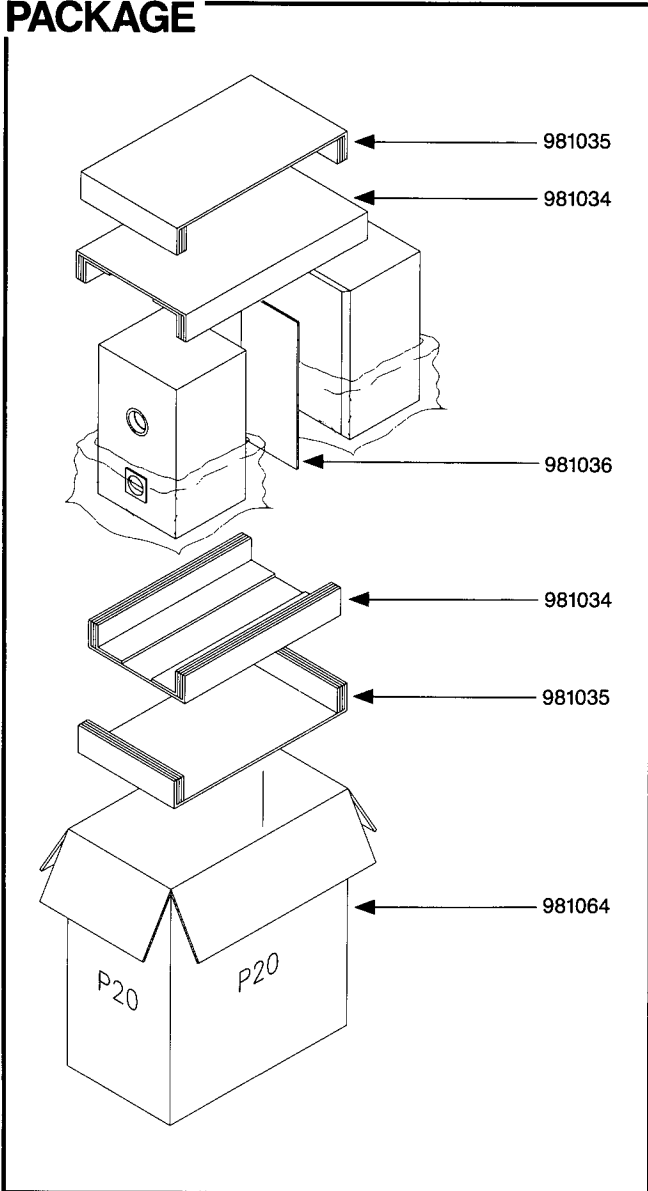
PHYSICAL SPECIFICATIONS:

- Enclosure Dimensions: 15 x 9 1/4 x 8 13/16 in. D (381 x 235 x 224 mm D)
- Weight: 12.1 lbs. (5.5 kg)

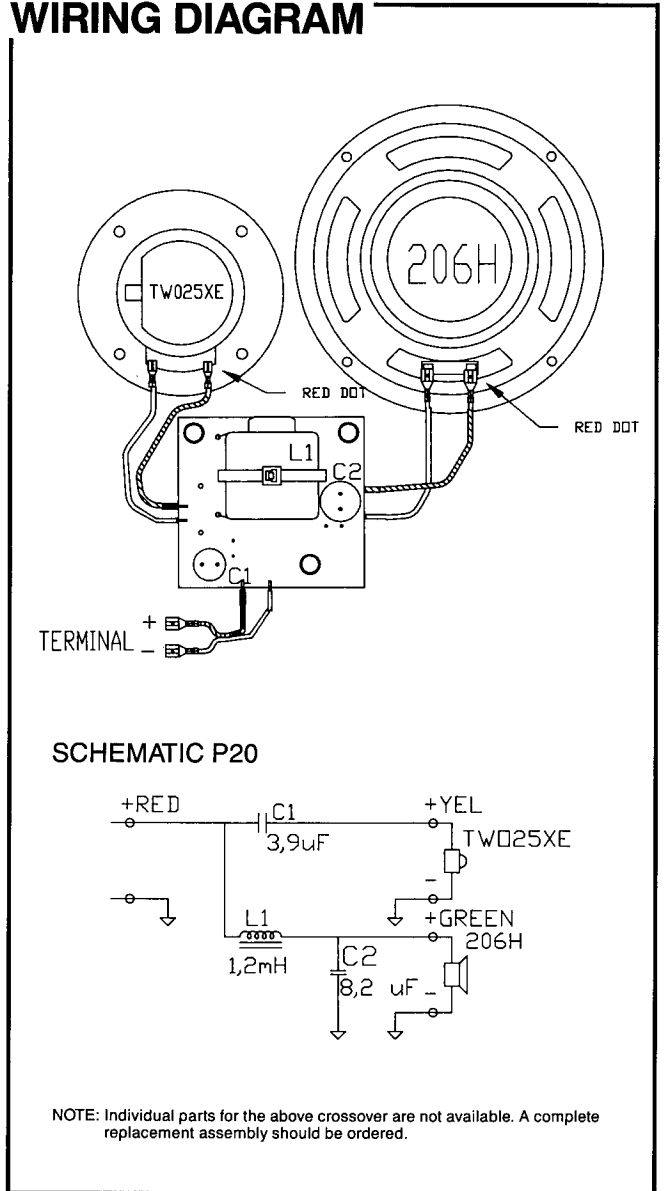
WARRANTY INFORMATION:

- Refer to the Warranty Statement packed with each product.

PACKAGE



WIRING DIAGRAM



JBL P20

| DRIVER | TEST VOLTAGE | SWEEP FREQUENCY | DCR MIN-MAX. |
|---------|--------------|-----------------|--------------|
| TWO25XE | 2.83 | 2KHZ-20KHZ | 5.8-6.8 OHMS |
| 206H | 4 | 20HZ-1.2KHZ | 4.0-4.4 OHMS |

JBL P20

COMPONENT EXPLODED VIEW

