

JBL P30



SPECIFICATIONS

AQOUSTIC & ELECTRICAL SPECIFICATIONS:

- Nominal Impedance: 8 ohm
- Recommended Amp Power: 10 W to 80 W
- Frequency Response: 50 Hz to 20 kHz
- Sensitivity: 89 dB*
- Crossover Frequency: 600 Hz/3.5 kHz

SYSTEM COMPONENTS:

- Cabinet: 210419 (walnut)
- Grille: GP30 (grey)
- *1 Watt (2,83 V RMS) @ 1 Meter

SYSTEM COMPONENTS: (cont'd)

- Low Frequency Transducer: 200 mm (8 In) High Polymer Laminate (208H)
- Mldr. Frequency Transducer: 130 mm (5 In) High Polymer Laminate (205H)
- High Frequency Transducer: 26 mm (1 In) Titanium Laminate (TWO25XE)
- Crossover Network: NP30

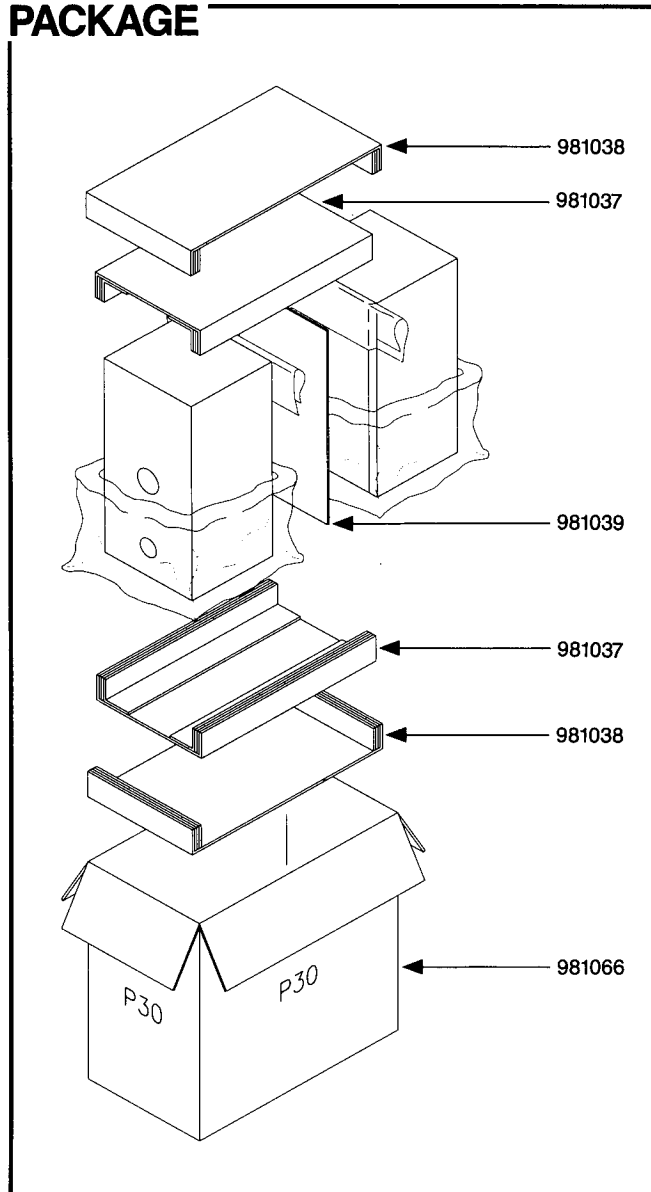
PHYSICAL SPECIFICATIONS:

- Enclosure Dimensions: 21 1/4 x 10 11/16 x 10 1/2 in. D (540 x 272 x 267 mm D)
- Weight: 20 lbs. (9.1 kg)

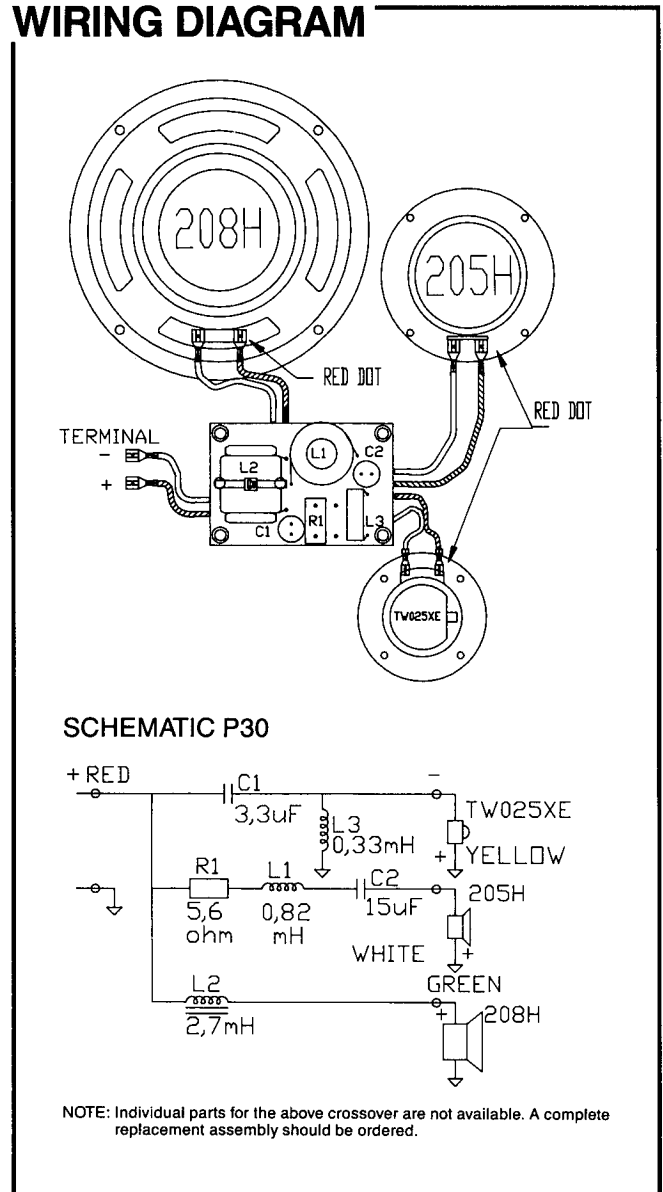
WARRANTY INFORMATION:

- Refer to the Warranty Statement packed with each product.

PACKAGE



WIRING DIAGRAM



DRIVER	TEST VOLTAGE	SWEEP FREQUENCY	DCR MIN-MAX.
TWO25XE	2.83	2KHZ-20KHZ	5.8-6.8 OHMS
205H	3	100HZ-1.2KHZKHZ	3.6-4.0 OHMS
208H	4	20HZ-1.2KHZ	6.2-6.9 OHMS

JBL P30

COMPONENT EXPLODED VIEW

