



JBL P40

SPECIFICATIONS

AQOUSTIC & ELECTRICAL SPECIFICATIONS:

- Nominal Impedance: 8 ohm
- Recommended Amp Power: 10 W to 100 W
- Frequency Response: 47 Hz to 20 kHz
- Sensitivity: 89 dB*
- Crossover Frequency: 600 Hz/3.5 kHz

SYSTEM COMPONENTS:

- Cabinet: 210421 (walnut)
- Grille: GP40 (grey)
- *1 Watt (2,83 V RMS) @ 1 Meter

SYSTEM COMPONENTS: (cont'd)

- Low Frequency Transducer: 250 mm (10 In) High Polymer Laminate (210H)
- Midr. Frequency Transducer: 130 mm (5 In) High Polymer Laminate (205H)
- High Frequency Transducer: 26 mm (1 In) Titanium Laminate (TWO25XE)
- Crossover Network: NP40

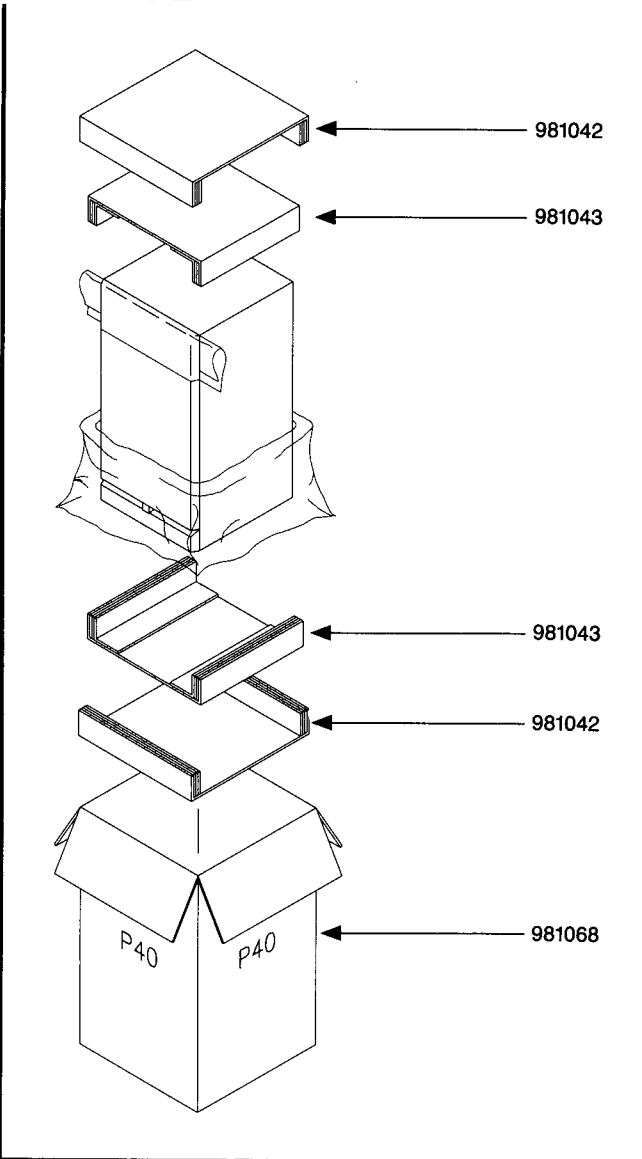
PHYSICAL SPECIFICATIONS:

- Enclosure Dimensions: 23 5/8 x 12 3/16 x 12 9/16 in. D (600 x 310 x 318 mm D)
- Weight: 26 lbs. (11.8 kg)

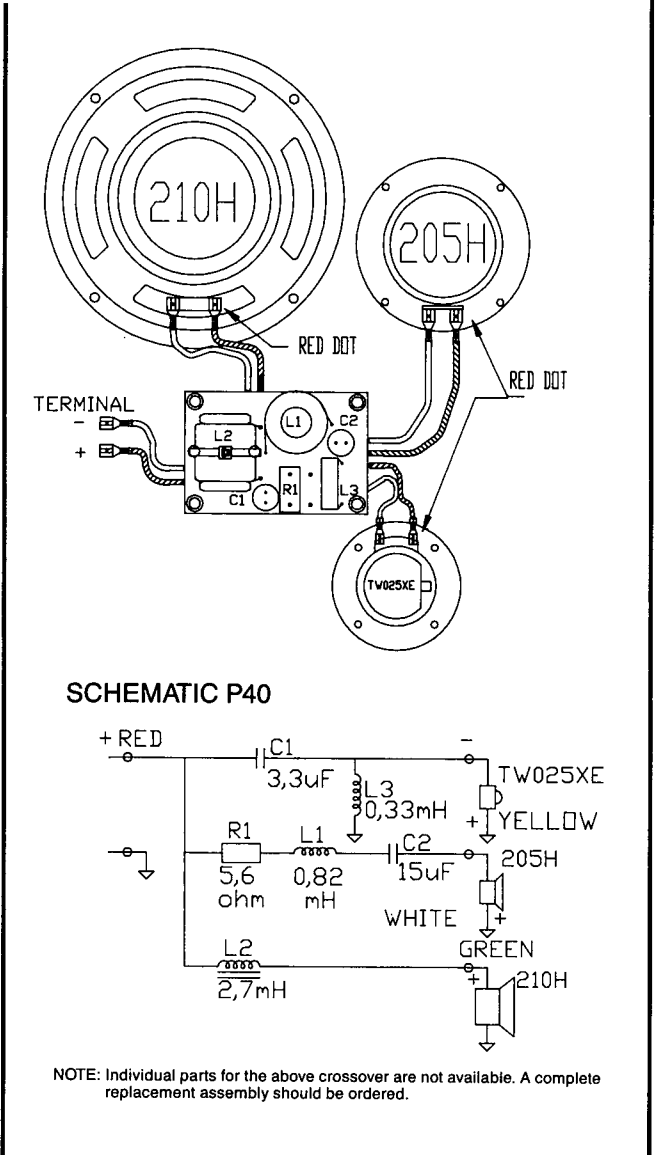
WARRANTY INFORMATION:

- Refer to the Warranty Statement packed with each product.

PACKAGE



WIRING DIAGRAM



JBL P40

DRIVER	TEST VOLTAGE	SWEEP FREQUENCY	DCR MIN-MAX.
TWO25XE	2.83	2KHZ-20KHZ	5.8-6.8 OHMS
205H	3	100HZ-1.2KHZKHZ	3.6-4.0 OHMS
210H	4	20HZ-1.2KHZ	6.3-7.3 OHMS

JBL P40

COMPONENT EXPLODED VIEW

