

PRO PERFORMER PLUS

SPECIFICATIONS

ACOUSTIC & ELECTRICAL SPECIFICATIONS:

- Nominal Impedance: 4 ohm
- Max Recommended Amplifier Power: 10W to 100W
- Frequency Response: 40 Hz to 18 kHz
- Sensitivity: 88 dB SPL*
- Crossover Frequency: Pro Performer - 3 kHz
Subwoofer - 125 Hz

SYSTEM COMPONENTS:

- Cabinet: C Pro Performer/CSWPP+ (Not For Sale)
- Grille: G Pro Performer
- Full Range Transducer: 304GS 4.5 in. (114mm) Fiber Cone
- Low Frequency Transducer: 308SW 8.0 in. (200mm) Polymer Laminate Cone

SYSTEM COMPONENTS: (cont'd)

- Crossover Network: N Pro Performer
NSWPP+

PHYSICAL SPECIFICATIONS:

Pro Performer (Satellite) (2)

- Enclosure Dimensions: 6.25 x 6.0 x 5.50 in. D
(159mm x 152mm x 140mm D) (each)

SWPP+ (Subwoofer)

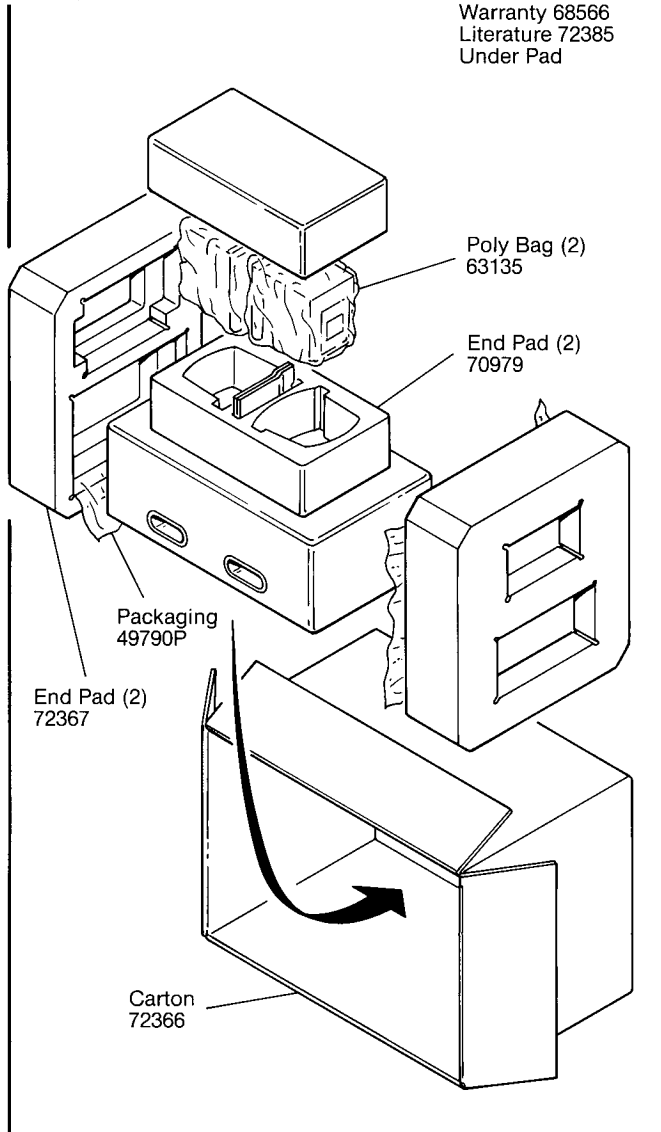
- Enclosure Dimensions: 7.5 x 20.0 x 11.5 in. D
(190mm x 508mm x 292mm D)
- Shipping Weight: 21.2 lbs. (9.7 kg.)
3-Piece System

WARRANTY INFORMATION:

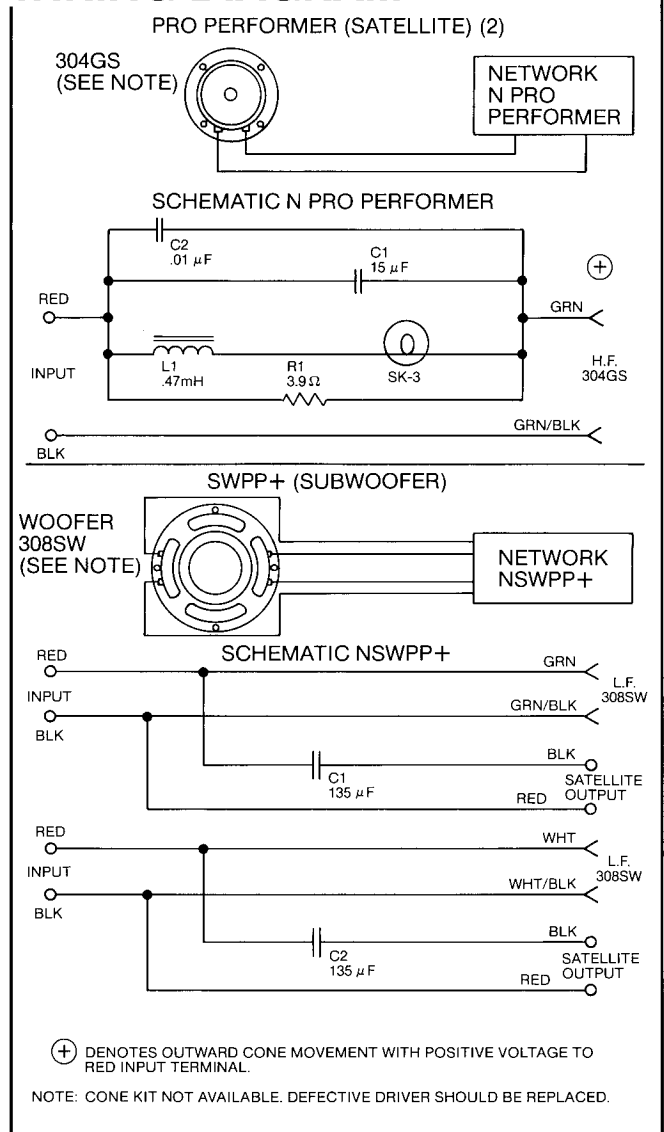
- Refer to the Warranty Statement packed with each product.

*1 Watt @ 1 Meter

PACKAGE



WIRING DIAGRAM

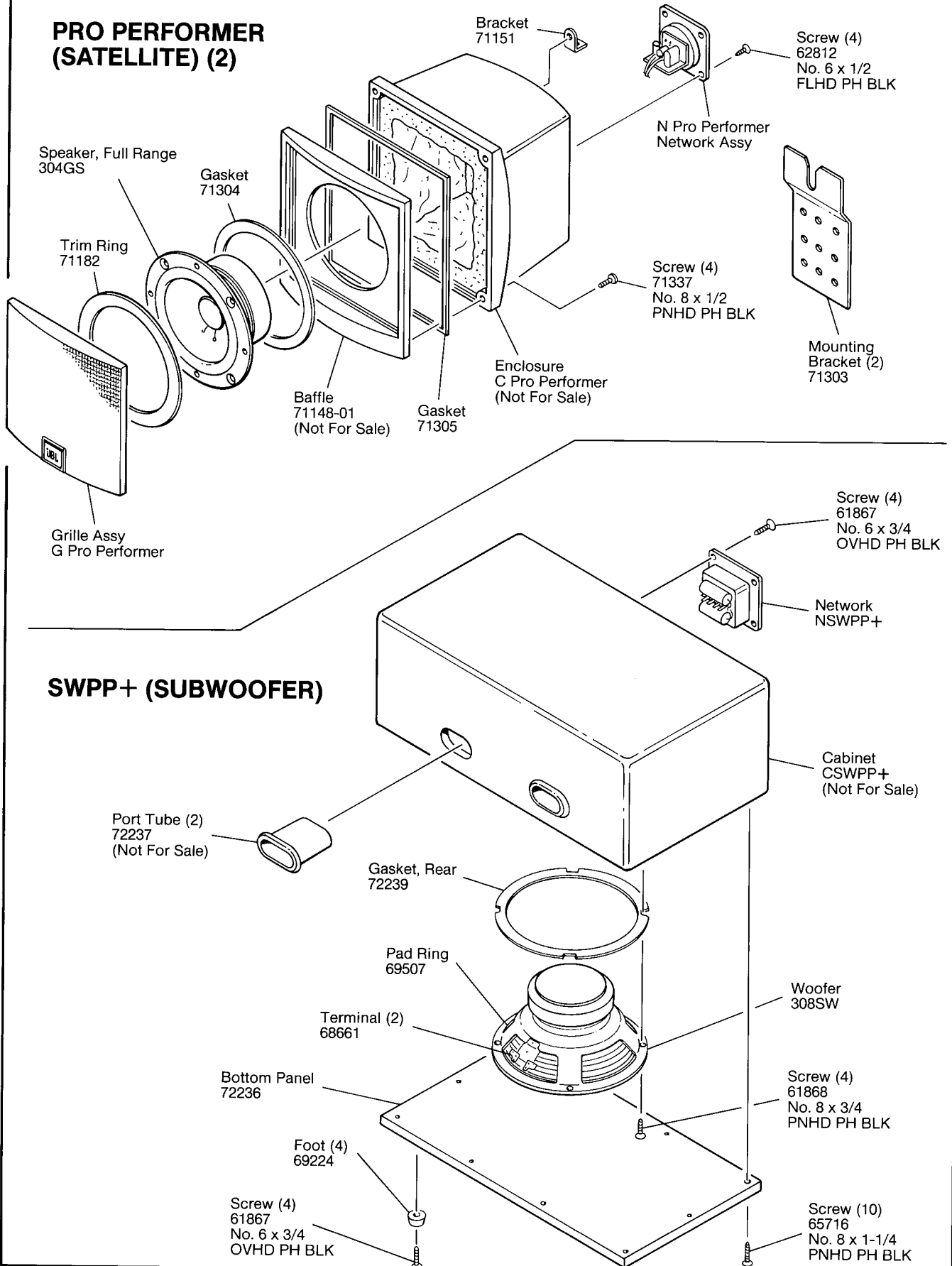


PRO PERFORMER PLUS

DRIVER	TEST VOLTAGE	SWEEP FREQUENCY	DCR MIN-MAX.
304GS	3	100HZ-1.2KHZ	3.4-3.8 OHMS
308SW	4	20HZ-1.0KHZ	4.75-5.25 OHMS

PRO PERFORMER PLUS

COMPONENT EXPLODED VIEW



PRO PERFORMER PLUS