

PS8

SPECIFICATIONS



ACOUSTIC & ELECTRICAL SPECIFICATIONS:

- * Nominal Impedance: 4 ohm
- * Recommended Amp Power: 50-150W
- * Frequency Response: 60 Hz - 20 kHz
- * Sensitivity: 95 dB / 2.83V / 1 m
- * Crossover frequency: 2,2 kHz

SYSTEM COMPONENTS:

- * Cabinet: CPS8 (Not for sale)
- * Grille: GPS8 (2402680)
- * Woofer: CS210 300mm Woofer
38mm voice coil
- DC Resistance: 3,5 ohm
- * Tweeter: M203 Tweeter
26mm voice coil

SYSTEM COMPONENTS: (cont'd)

- DC Resistance: 4,6 ohm
- * Crossover Network: NPS8 (2702680)

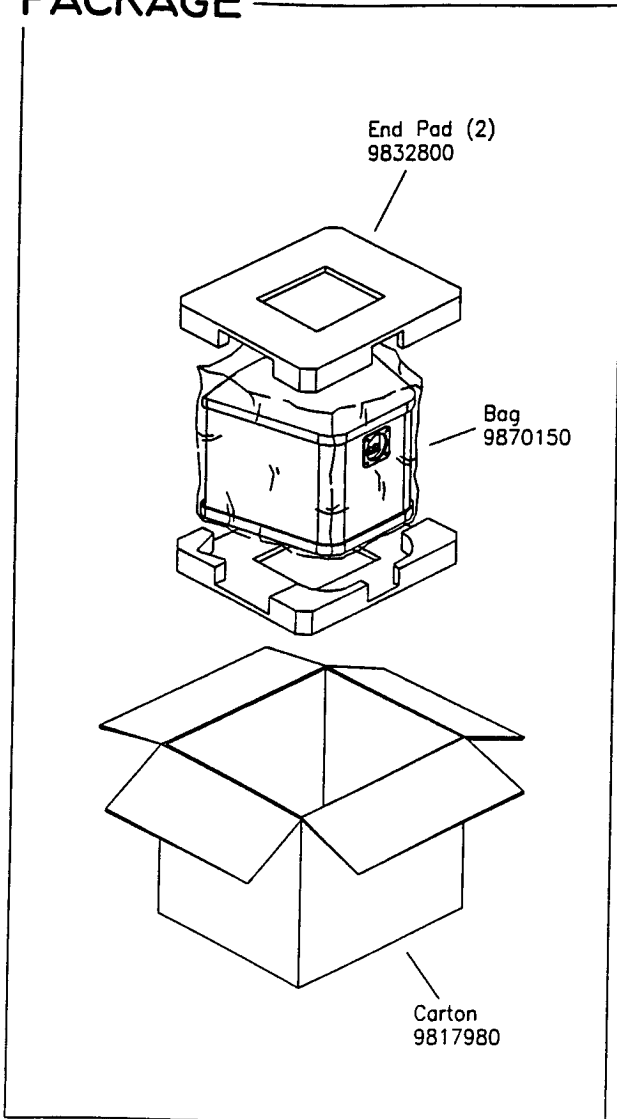
PHYSICAL SPECIFICATIONS:

- * Enclosure Dimensions (H.W.D): 12,2x17,8x15,2in. D
(310x453x385mm D)
- * Shipping Weight: 33 lbs. (15 kg.)

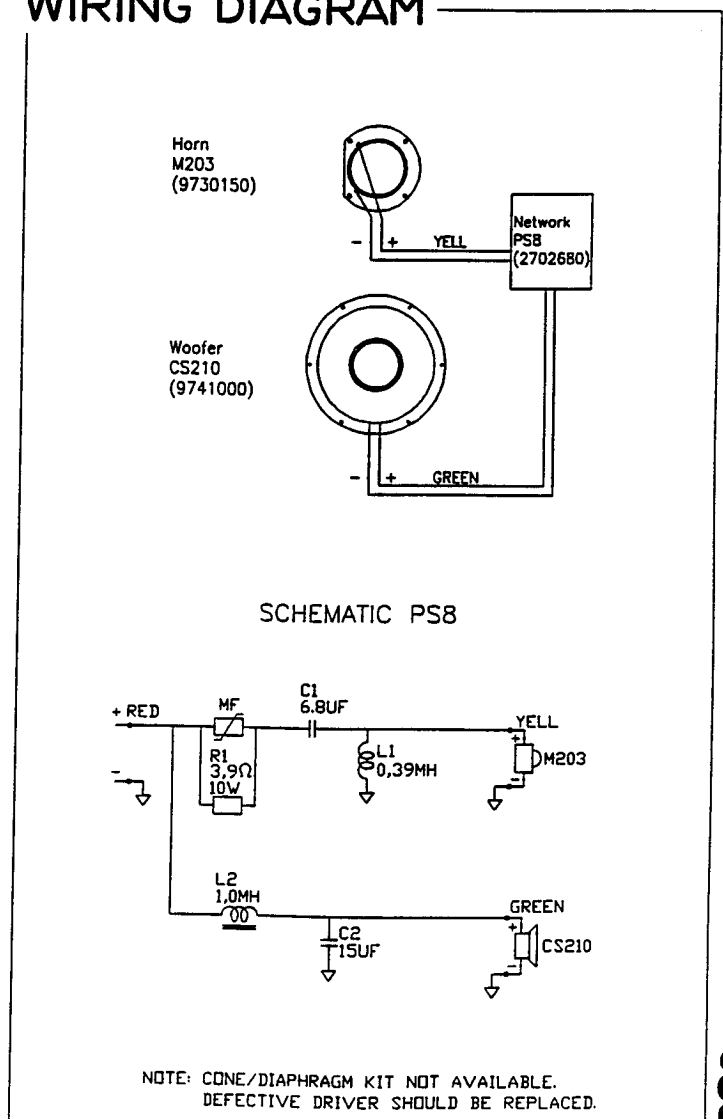
WARRANTY INFORMATION:

- * Refer to the Warranty Statement packed with each product

PACKAGE



WIRING DIAGRAM



PS8

Valid from serial no. 02499
Rev. 13/11-1997

COMPONENT EXPLODED VIEW

