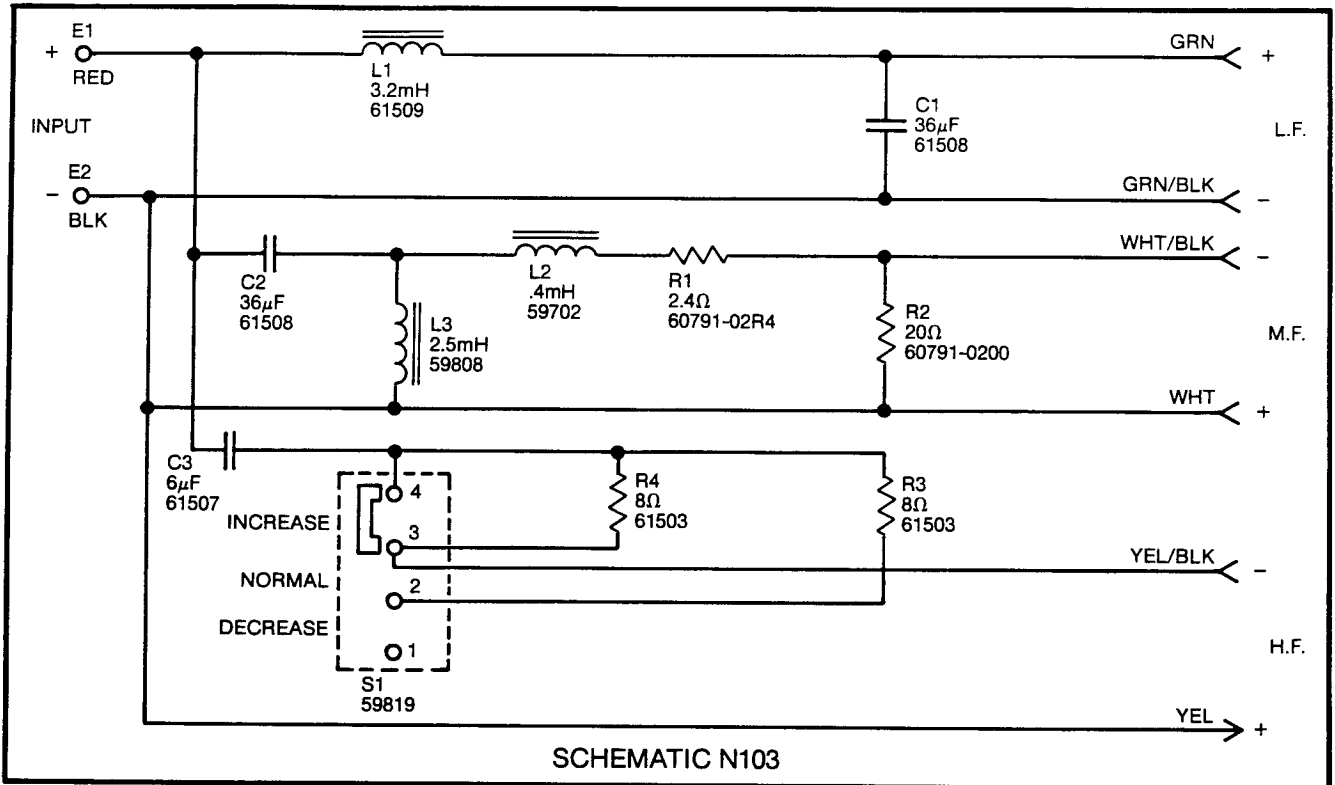


Technical Manual

R103 Radiance

JBL



SYSTEM COMPONENTS:

LOW FREQUENCY DRIVER:	
Cone Kit:	310G-1
Nom. Impedance:	C4R310G-1
Dynamic Test Input V:	4 Ohm
Sweep Frequency Hz:	5
D.C. Resistance Ohms:	30-1200
Gap Gauge:	3.6 min/4.5 max
Notes:	.051"
If Not Serviceable, Replace With:	310G-3
Visual Change:	Yes
Baffle Modification:	No
Exact Acoustic Replacement:	No. Slightly different.
	Replace both units in a stereo pair.
Additional Parts Currently Available*:	
Dome:	61521
Mounting Gasket:	60979
Trim Ring:	61384
MID RANGE DRIVER:	
Cone Kit:	305G-1
Nom. Impedance:	C4R305G-1
Dynamic Test Input V:	4 Ohm
Sweep Frequency Hz:	4
D.C. Resistance Ohms:	75-3000
Gap Gauge:	3.8 min/4.6 max
Notes:	.040"
	Remove Trim Ring
	carefully. Replacement Trim Ring 61373-01 no longer available.
If Not Serviceable, Replace With:	305G-2
Visual Change:	Yes
Baffle Modification:	No
Exact Acoustic Replacement:	No. Slightly different.
	Replace both units in a stereo pair.

MID RANGE DRIVER (Cont'd)

Additional Parts Currently Available*:

Dome: 54721

HIGH FREQUENCY DRIVER:

Diaphragm Kit: LE25-2

Nom. Impedance: D8RLE252

Dynamic Test Input V: 8 Ohm

Sweep Frequency Hz: 3

D.C. Resistance Ohms: 500-1200

Gap Gauge: 3.6 min/4.4 max

Notes: .029"

Kit includes parts for similar models. Use required parts only.

If Not Serviceable, Replace With: 035TiA

Visual Change: Yes

Baffle Modification: Yes

Exact Acoustic Replacement: No. Use as a last

resort. Replace both units in a stereo pair.

Additional Parts Currently Available*:

Trim Ring: 53363

Mounting Gasket: 50949-01

Dome: 21606

SYSTEM SPECIFICATIONS:

Nom. Impedance:	6 Ohm
Rec. Amp Power Range:	10-100 Watts Continuous Sine
	Wave Per Channel
Crossover Frequencies:	600 Hz, 3000 Hz
Sensitivity:	90dB (1 Watt @ 1 Meter)
Enclosure Dim:	25-1/2" x 15-7/8" x 11-3/16" D
	648mm x 404mm x 284mm
Shipping Weight:	40 lbs. - 18.2 kg.
Additional Parts Currently Available*:	
Binding Posts: Red:	56131
Black:	56130

*Other parts may also be available. Check with JBL for details.