



# S1C/S1C-S

## SPECIFICATIONS

### ACOUSTIC & ELECTRICAL SPECIFICATIONS:

- Nominal Impedance: 8 ohm L.F., 4 ohm H.F.
- Power Capacity: 200W
- Frequency Range: 60 Hz to 20 kHz (-6 dB)
- Sensitivity: N/A
- Crossover Frequencies: 2.5 kHz Active

### SYSTEM COMPONENTS:

- Cabinet: CS1C
- Grille: N/A
- Low Frequency Transducer: (S1C) 2118J-2 8 in. (200mm) Cone Transducer (2)
- DC Resistance: 10.3 ohm  $\pm$ 8% Copper Wire
- Low Frequency Transducer: (S1C-S) 2118JS 8 in. (200mm) Cone Transducer
- DC Resistance: 10.3 ohm  $\pm$ 8% Copper Wire
- High Frequency Transducer: (S1C) 2416H-1 1 in. (25mm) Pure Titanium Compression Driver
- DC Resistance: 3.2 ohm  $\pm$ 8% Aluminum Wire

\*1 Watt @ 1 Meter

### SYSTEM COMPONENTS: (cont'd)

- High Frequency Transducer: (S1C-S) 276nd 2 in. (52mm) Pure Titanium Dome Compression Driver Neodymium Magnet
- DC Resistance: 3.2 ohm  $\pm$ 8% Aluminum Wire
- Crossover Network: NS1C/S1C-S

### AURAL SWEEP TEST SPECIFICATIONS:

- A. System Aural Sweep Test: 7.0V Input, 20 Hz to 20 kHz (Thru X-Over)
- B. L.F. Aural Sweep Test: 15.5V Input, 20 Hz to 1.2 kHz (2118J-2)
- C. H.F. Aural Sweep Test: 2.0V Input, 550 Hz to 1.2 kHz (2416H-1)

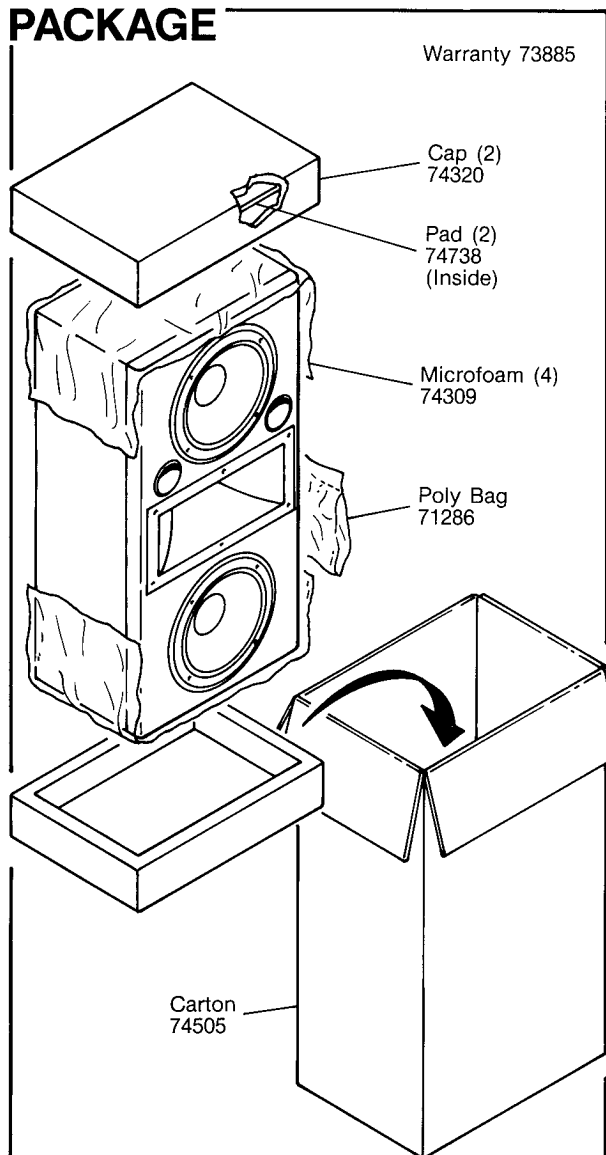
### PHYSICAL SPECIFICATIONS:

- Enclosure Dimensions: 27.0 x 14.0 x 9.0 in. D (686mm x 356mm x 229mm D)
- Shipping Weight: 55 lbs. (24.8 kg.)

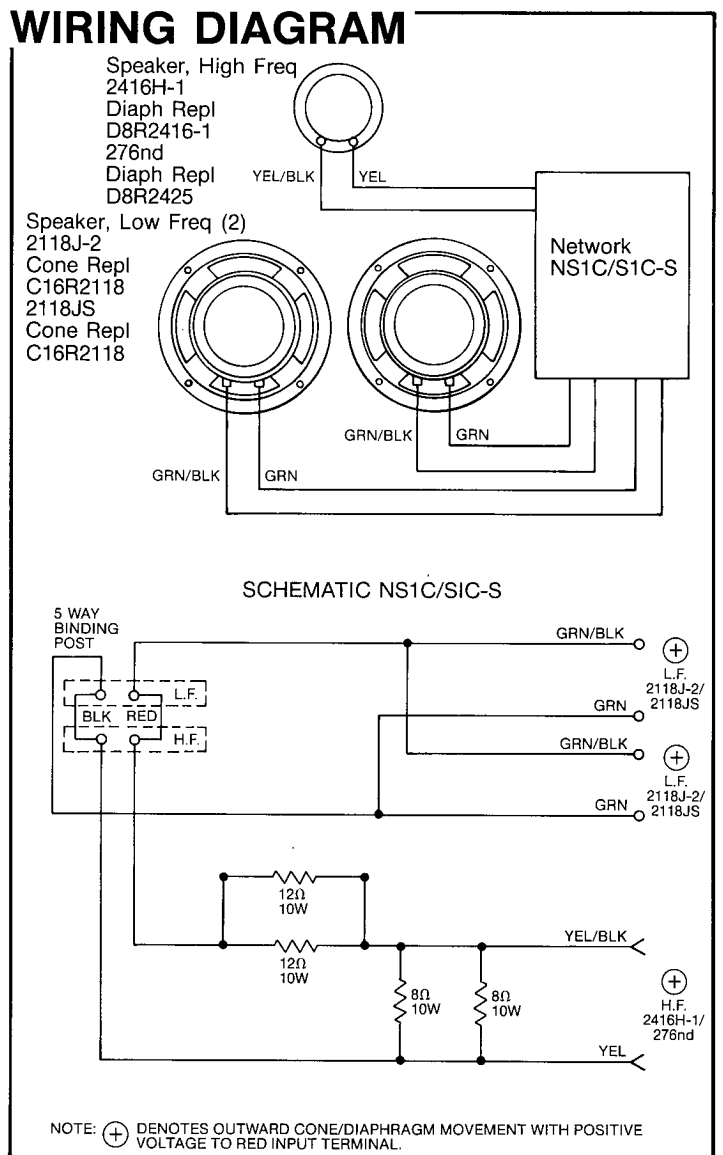
### WARRANTY INFORMATION:

- Refer to the Warranty Statement packed with each product.

## PACKAGE



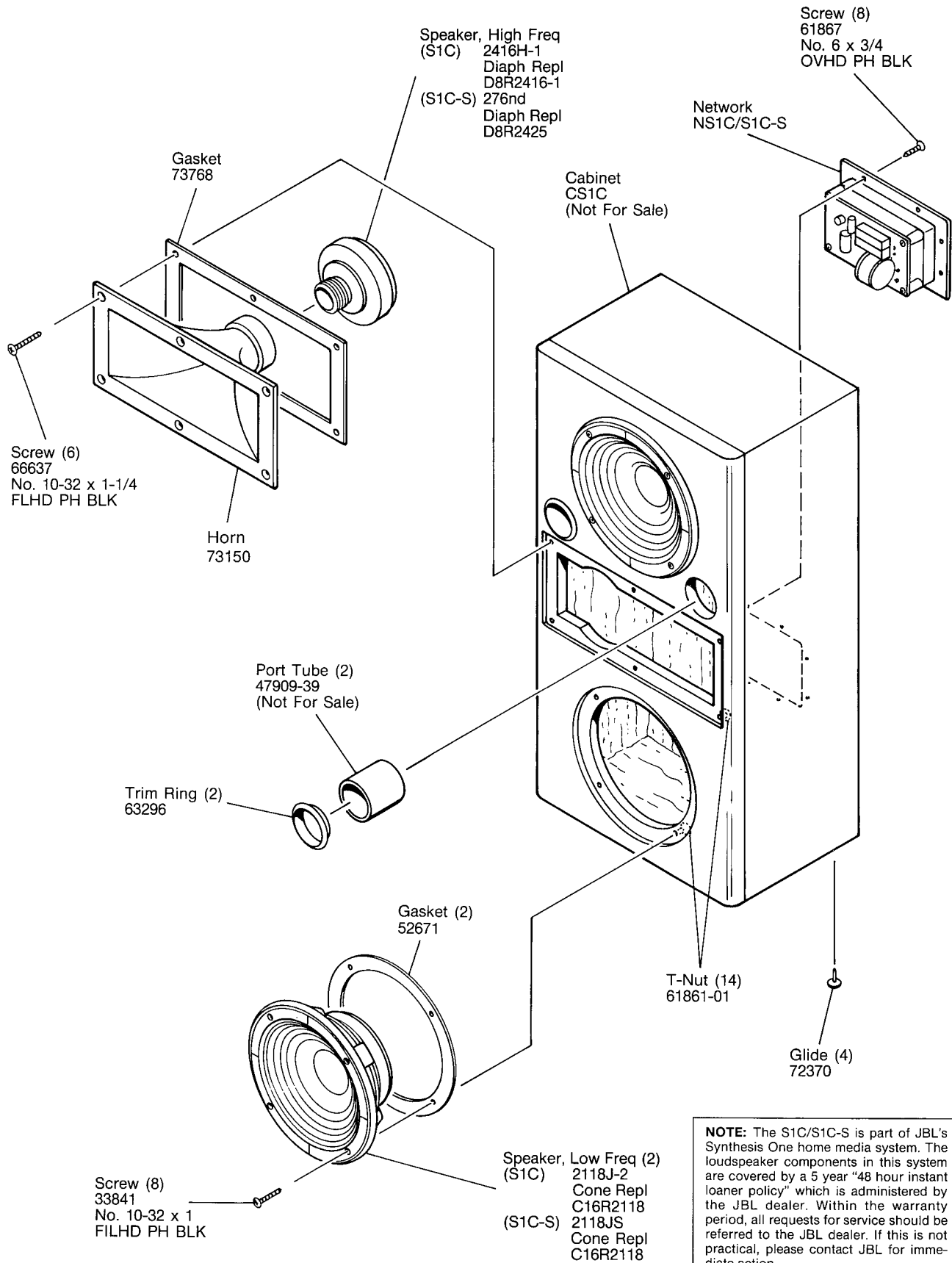
## WIRING DIAGRAM



S1C/S1C-S

# S1C/S1C-S

## COMPONENT EXPLODED VIEW



Speaker, High Freq  
(S1C) 2416H-1  
Diaph Repl  
D8R2416-1  
(S1C-S) 276nd  
Diaph Repl  
D8R2425

Screw (8)  
61867  
No. 6 x 3/4  
OVHD PH BLK

Network  
NS1C/S1C-S

Cabinet  
CS1C  
(Not For Sale)

Gasket  
73768

Screw (6)  
66637  
No. 10-32 x 1-1/4  
FLHD PH BLK

Horn  
73150

Port Tube (2)  
47909-39  
(Not For Sale)

Trim Ring (2)  
63296

Gasket (2)  
52671

T-Nut (14)  
61861-01

Glide (4)  
72370

Screw (8)  
33841  
No. 10-32 x 1  
FILHD PH BLK

Speaker, Low Freq (2)  
(S1C) 2118J-2  
Cone Repl  
C16R2118  
(S1C-S) 2118JS  
Cone Repl  
C16R2118

**NOTE:** The S1C/S1C-S is part of JBL's Synthesis One home media system. The loudspeaker components in this system are covered by a 5 year "48 hour instant loaner policy" which is administered by the JBL dealer. Within the warranty period, all requests for service should be referred to the JBL dealer. If this is not practical, please contact JBL for immediate action.

S1C/S1C-S