



# S1M

## SPECIFICATIONS

**ACOUSTIC & ELECTRICAL SPECIFICATIONS:**

- NOTE: Music Mode = (MM), Theater Mode = (TM)
- Nominal Impedance: 8 ohm (MM), (TM)
  - Power Capacity: 200W (MM), (TM)
  - Frequency Range: 60 Hz to 20 kHz (-6 dB)
  - Sensitivity: 91 dB SPL\* (MM), (TM - N/A)
  - Crossover Frequencies: 2.5 kHz Active (TM)  
650 Hz Active (MM)  
2.8 kHz (Music Internal X-Over)

**SYSTEM COMPONENTS:**

- Cabinet: CS1M
- Grille: N/A
- Low Frequency Transducer: 2118J-2 8 in. (200mm) Cone Transducer (2)
- DC Resistance: 10.3 ohm ±8% Copper Wire
- Mid Range Transducer: 705GS 5 in. (127mm) Cone Transducer
- DC Resistance: 5.5 ohm ±8% Copper Wire

\*1 Watt @ 1 Meter

**SYSTEM COMPONENTS: (cont'd)**

- Mid Range Transducer: 046Ti-1 1 in. (25mm) Pure Titanium Dome
- DC Resistance: 3.8 ohm ±8% Aluminum Wire
- High Frequency Transducer: 2416H-1 1 in. (25mm) Pure Titanium Dome
- DC Resistance: 3.2 ohm ±8% Aluminum Wire
- Crossover Network: NS1M (74242)

**AURAL SWEEP TEST SPECIFICATIONS:**

- A. System Aural Sweep Test: 7.0V Input, 20 Hz to 20 kHz
- B. L.F. Aural Sweep Test: 15.5V Input, 20 Hz to 1.2 kHz (2118J-2)
- C. M.F. Aural Sweep Test: 4.0V Input, 200 Hz to 3000 Hz (705GS)
- D. H.F. Aural Sweep Test: 2.0 Input, 2 kHz to 20 kHz (2416H-1)
- E. H.F. Aural Sweep Test: 2.0V Input, 550 Hz to 20 kHz (046Ti-1)

**PHYSICAL SPECIFICATIONS:**

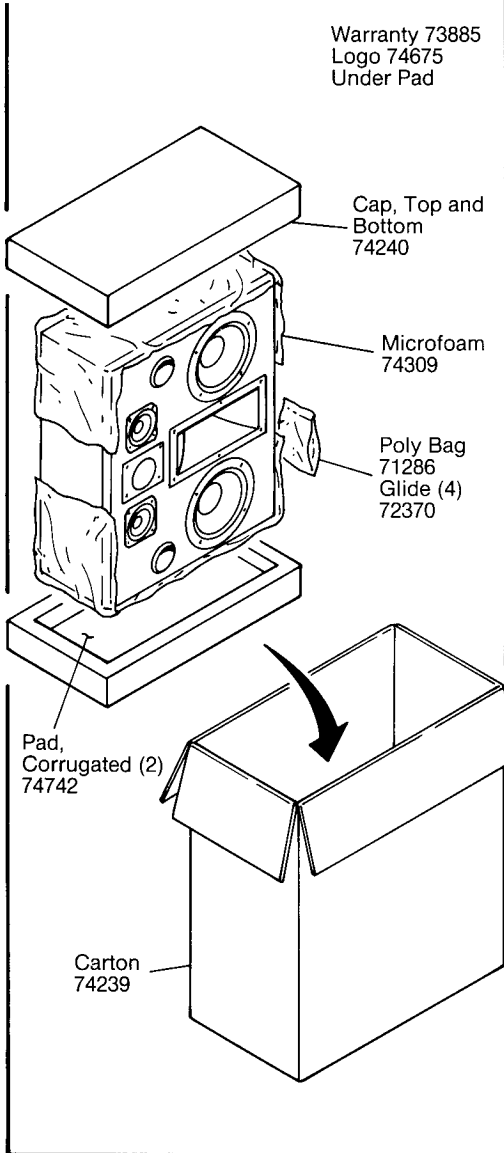
- Enclosure Dimensions: 27.0 x 21.0 x 9.0 in. D  
(686mm x 533mm x 229mm D)
- Shipping Weight: 79 lbs. (35.8 kg.)

**WARRANTY INFORMATION:**

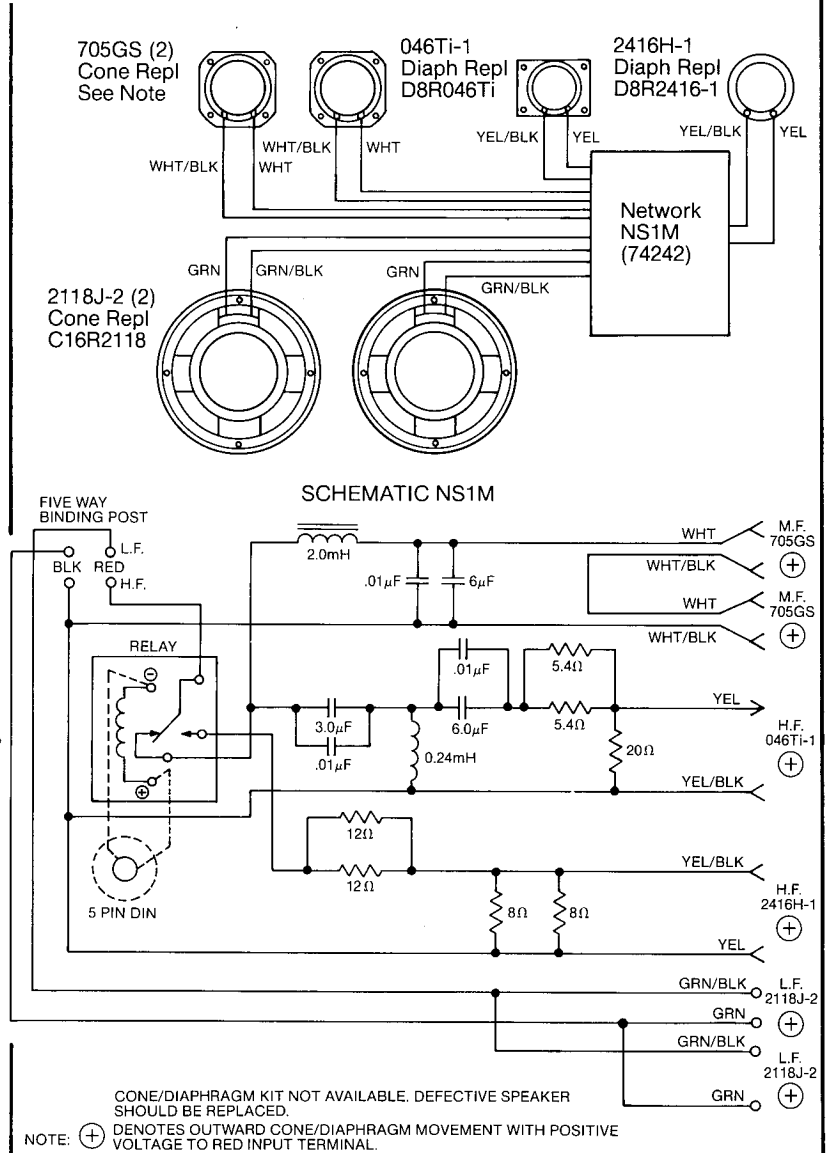
- Refer to the Warranty Statement packed with each product.

### PACKAGE

\*1 Watt @ 1 Meter



### WIRING DIAGRAM



# S1M

## COMPONENT EXPLODED VIEW

