

S2M L/R

SPECIFICATIONS

ACOUSTIC & ELECTRICAL SPECIFICATIONS:

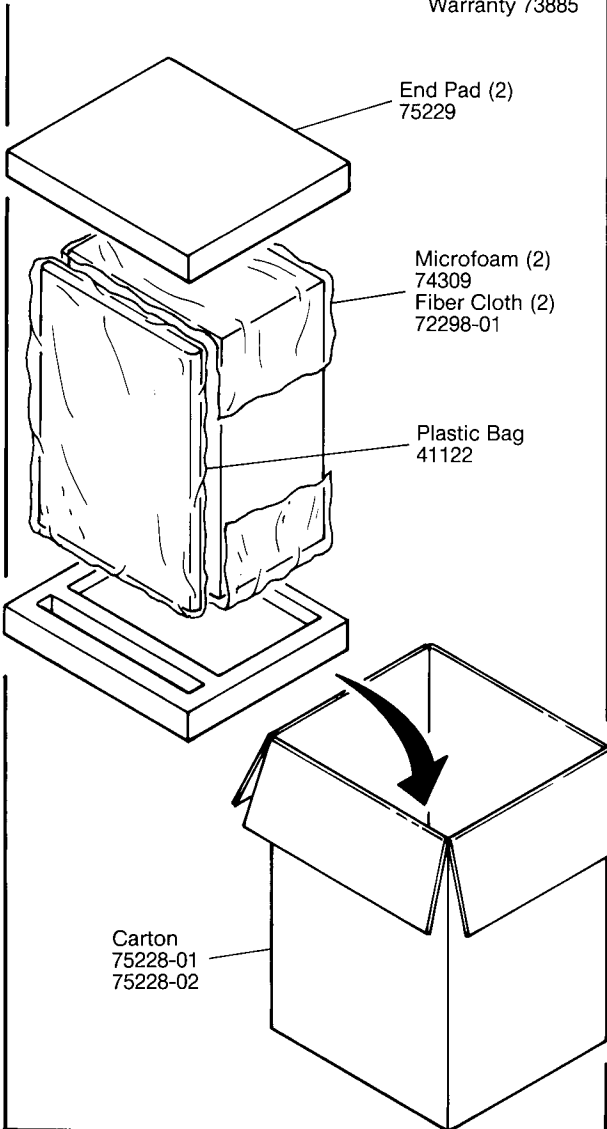
- NOTE: Music Mode = (MM), Theater Mode = (TM)
- Nominal Impedance: 8 ohm (TM), 4 ohm (MM)
 - Power Capacity: 150W
 - Frequency Range: 45 Hz to 20 kHz (-6 dB)
 - Sensitivity: 91 dB SPL* (TM), (MM - N/A)
 - Crossover Frequencies: 2.8 kHz (TM)
575 Hz and 3.2 kHz (MM)

SYSTEM COMPONENTS:

- Cabinet: CS2M
- Grille: GS2M
- Low Frequency Transducer: 726GS (2) 6 in. (152mm) Cone Transducer
- DC Resistance: 4.4 ohm ±8% Aluminum Wire
- Mid Range Transducer: 705GS 5 in. (127mm) Cone Transducer
- DC Resistance: 5.5 ohm ±8% Copper Wire
- Mid Range Transducer: 046Ti-1S 1 in. (25mm) Pure Titanium Dome Tweeter
- DC Resistance: 3.8 ohm ±8% Aluminum Wire

*1 Watt @ 1 Meter

PACKAGE



SYSTEM COMPONENTS: (cont'd)

- High Frequency Transducer: 276nd 2 in. (52mm) Pure Titanium Dome Compression Driver Neodymium Magnet
- DC Resistance: 3.2 ohm ±8% Aluminum Wire
- Crossover Network: NS2M (75256)

AURAL SWEEP TEST SPECIFICATIONS:

- A. System Aural Sweep Test: 7.0V Input, 20 Hz to 20 kHz
- B. L.F. Aural Sweep Test: 7.4V Input, 20 Hz to 2000 Hz (726G-S)
- C. M.F. Aural Sweep Test: 4.0V Input, 200 Hz to 3000 Hz (705GS)
- D. H.F. Aural Sweep Test: 2.0V Input, 3000 Hz to 20 kHz (046Ti)
- E. H.F. Aural Sweep Test: 2.0V Input, 550 Hz to 20 kHz (276nd)

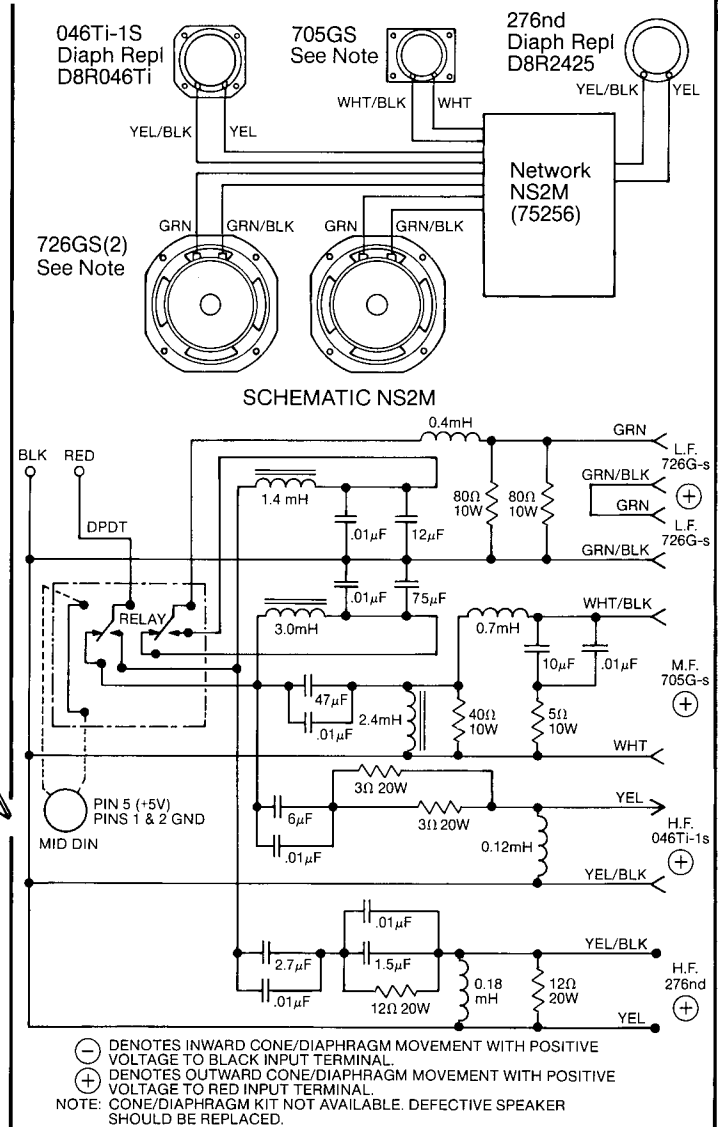
PHYSICAL SPECIFICATIONS:

- Enclosure Dimensions: 26.00 x 17.50 x 9.78 in. D (660mm x 444mm x 248mm D)
- Shipping Weight: 72 lbs. (32.6 kg.)

WARRANTY INFORMATION:

- Refer to the Warranty Statement packed with each product.

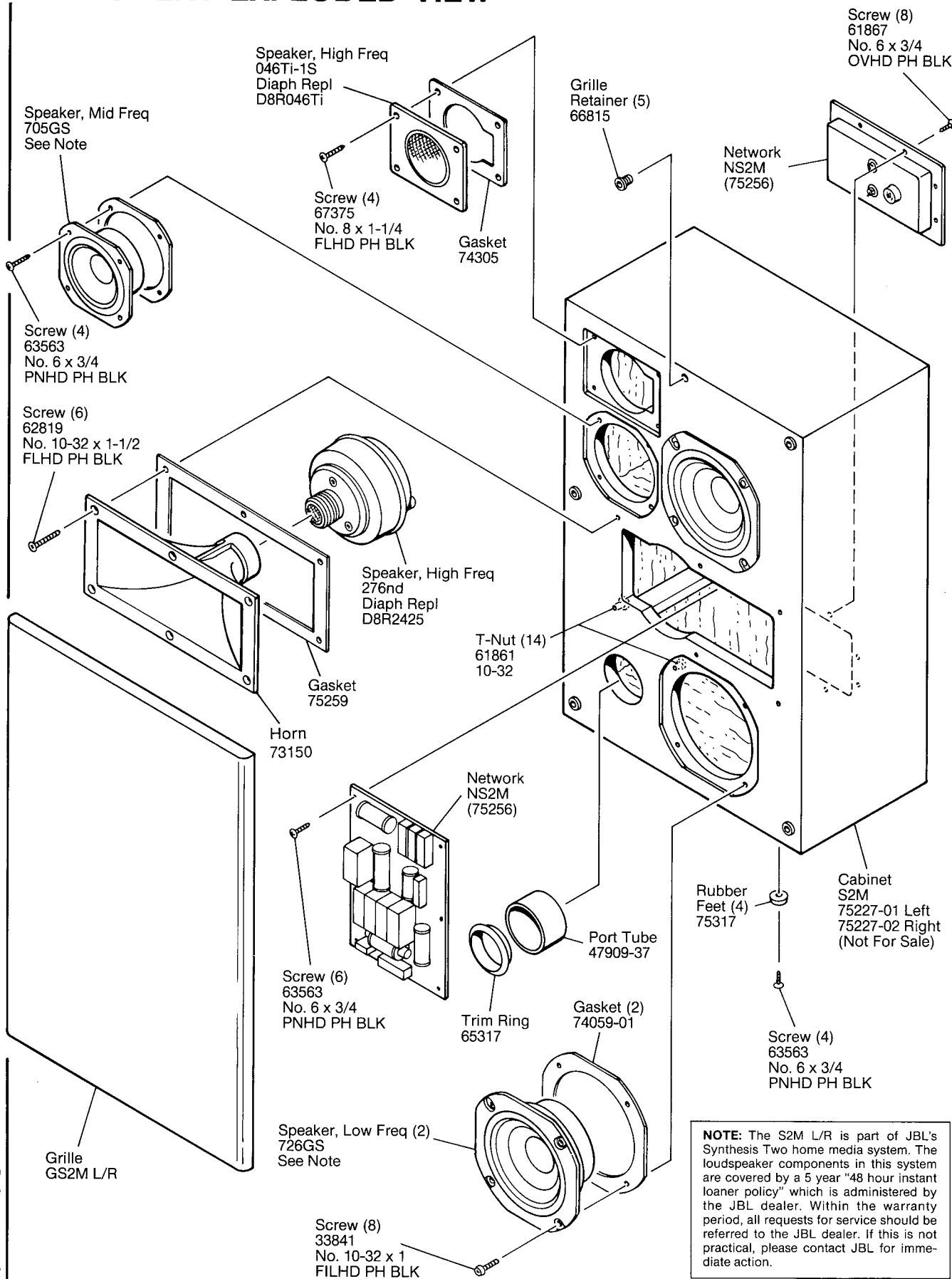
WIRING DIAGRAM



S2M L/R

S2M L/R

COMPONENT EXPLODED VIEW



NOTE: The S2M L/R is part of JBL's Synthesis Two home media system. The loudspeaker components in this system are covered by a 5 year "48 hour instant loaner policy" which is administered by the JBL dealer. Within the warranty period, all requests for service should be referred to the JBL dealer. If this is not practical, please contact JBL for immediate action.

S2M L/R