



SAT20 L,R/CENTER

SPECIFICATIONS

ACOUSTIC & ELECTRICAL SPECIFICATIONS:

- Nominal Impedance: 8 ohm
- Recommended Amp Power: 10W to 120W
- Frequency Response: 120 Hz to 20 kHz (± 3 dB)
- Sensitivity: 90 dB SPL*
- Crossover Frequency: 3.5 kHz (Nominal)

SYSTEM COMPONENTS:

- Cabinet: CSat2 L,R/Center (Not For Sale)
- Grille: GSat2 (75184), GCenter (75185)
- Low Frequency Transducer: SE3.5H 3-1/2 in. (90mm) Neodymium Magnet (74860) (2)
- DC Resistance: 9.0 ohm $\pm 5\%$
- High Frequency Transducer: Titanium Composite Dome (75133)
- DC Resistance: 5.5 ohm $\pm 10\%$
- Crossover Network: NSat2/Center (75189)

AURAL SWEEP TEST SPECIFICATIONS:

- A. System Aural Sweep Test: 5.0V Input, 10 Hz to 20 kHz
- B. L.F. Aural Sweep Test: 5.0V Input, 10 Hz to 10 kHz
- C. H.F. Aural Sweep Test: 3.0V Input, 1 kHz to 20 kHz

PHYSICAL SPECIFICATIONS:

- Enclosure Dimensions: $14 \times 4 \frac{3}{8} \times 6$ in.
 $14.12 \times 4.38 \times 6.21$ in. D
(359mm x 111mm x 158mm D)
- Shipping Weight: See Package (356 x 111 x 152.0)

WARRANTY INFORMATION:

- Refer to the Warranty Statement packed with each product.

*1 Watt @ 1 Meter

PACKAGE

Warranty 76310
Owner's Manual:

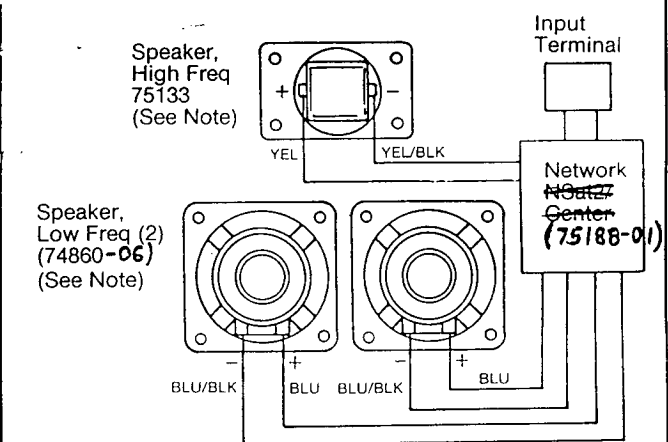
- MUSIC 20:
- MOVIES 20:
- SC5120: 331702-003

<ul style="list-style-type: none"> • MUSIC 20 Wire Cable 76138 Wire Manager 75143 Carton 75833 End Pad 75832 End Pad 75822 Filler 76057 Poly Bag 64222 Poly Bag (2) 66449 Filler 76363 Corrugated Pad 76375 Shipping Wt. 46 lbs. (20.8 kg.) 	<ul style="list-style-type: none"> • SAT 2 Inst. Kit 76217-04 Carton 75821 End Pad (2) 75822 Rubber Disk (2) 75196 Poly Bag (2) 66449 Shipping Wt. 12 lbs. (5.4 kg.)
<ul style="list-style-type: none"> • MOVIES 20 Carton 75835 End Pad (2) 75822 End Pad (2) 75828 Inst. Kit 76217-05 Poly Bag (3) 66449 Shipping Wt. 13.5 lbs. (6.1 kg.) 	<ul style="list-style-type: none"> • CENTER Inst. Kit 76217-01 Carton 75827 End Pad (2) 75828 Rubber Disk 75196 Poly Bag 66449 Shipping Wt. 3.6 lbs. (1.6 kg.)

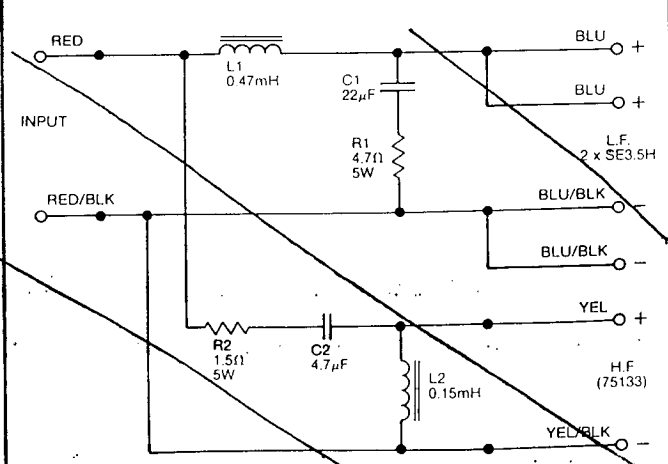
• SC5120
carton: 331733-001

NOTE SAT 2 IS PART OF SOUND EFFECTS MUSIC 2 AND MOVIES 2 SPEAKER SYSTEM AS WELL AS BEING AVAILABLE SEPARATELY THE CENTER IS PART OF THE MOVIES 2 SYSTEM AS WELL AS BEING AVAILABLE SEPARATELY

WIRING DIAGRAM



SCHEMATIC



REPLACE BAFFLE PAD WHEN SERVICING SPEAKERS

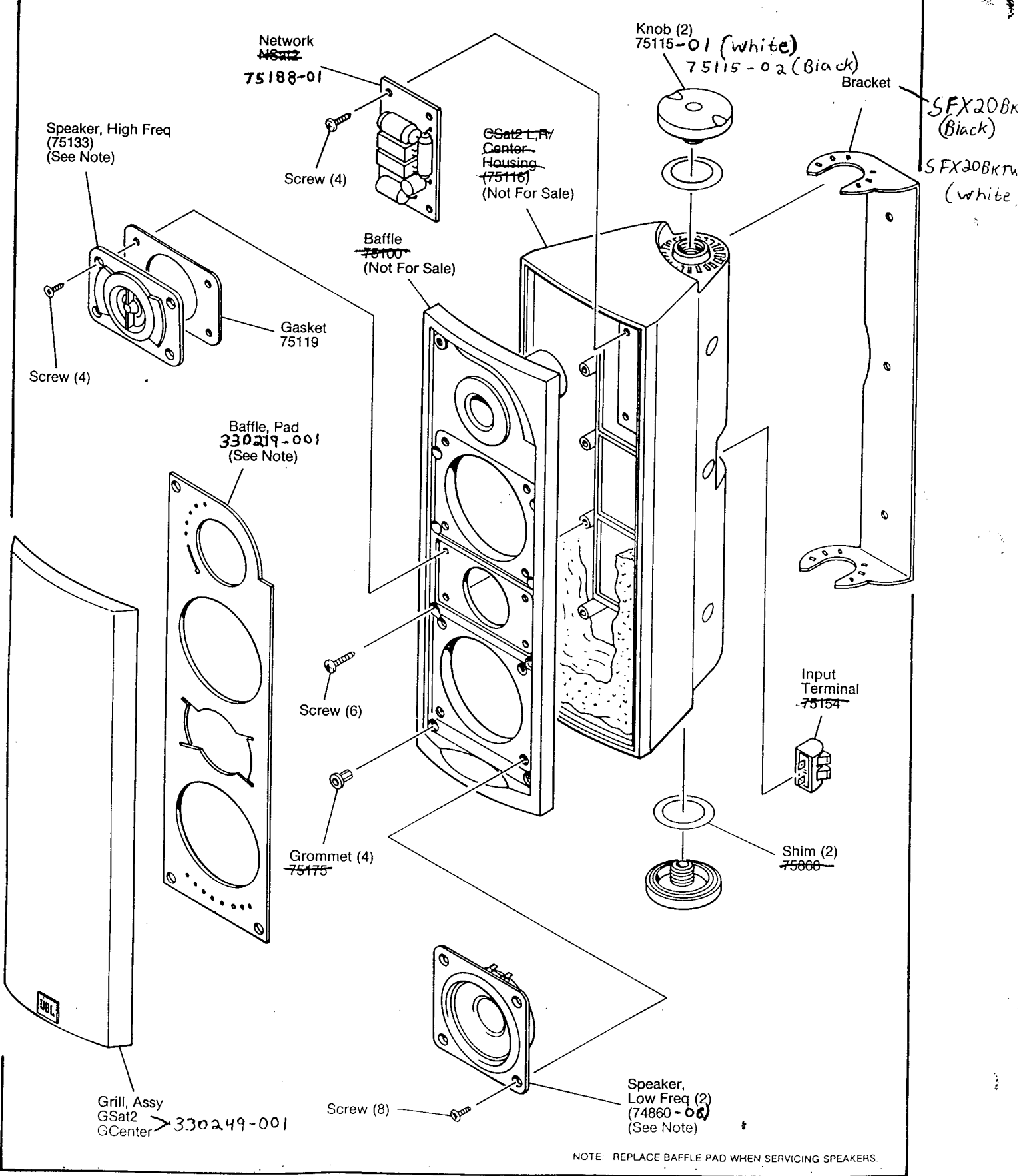
NOTE CONE/DIAPHRAGM KIT NOT AVAILABLE DEFECTIVE SPEAKER SHOULD BE REPLACED

SAT 20 L,R/CENTER

SAT20 L,R/CENTER

COMPONENT EXPLODED VIEW

(Left SAT20 Shown, Right and Center are Identical)



NOTE: REPLACE BAFFLE PAD WHEN SERVICING SPEAKERS.

SAT20 L,R/CENTER