



SC305

SPECIFICATIONS

ACOUSTIC & ELECTRICAL SPECIFICATIONS:

- Nominal Impedance: 8 ohm
- Recommended Amp Power: 10W to 100W
- Frequency Response: 100 Hz to 20 kHz (-6dB)
- Sensitivity: 87 dB SPL*
- Crossover Frequency: 2.7 kHz

SYSTEM COMPONENTS:

- Cabinet: CSC305 (Not For Sale)
- Grille: GSC305
- Low Frequency Transducer: 305G-3A-1S 5-1/4 in. (130mm) High Polymer Laminate (75755)
- DC Resistance: 4.0 ohm \pm 10% Copper Wire
- High Frequency Transducer: 74447 (14mm) Titanium Laminate
- DC Resistance: 8.0 ohm \pm 10% Copper Wire

SYSTEM COMPONENTS: (cont'd)

- Crossover Network: NSC305 (76400)

AURAL SWEEP TEST SPECIFICATIONS:

- A. System Aural Sweep Test: 6.0V Input, 20 Hz to 20 kHz
- B. L.F. Aural Sweep Test: 6.0V Input, 20 Hz to 4 kHz
- C. H.F. Aural Sweep Test: 2.83V Input, 2 kHz to 20 kHz

PHYSICAL SPECIFICATIONS:

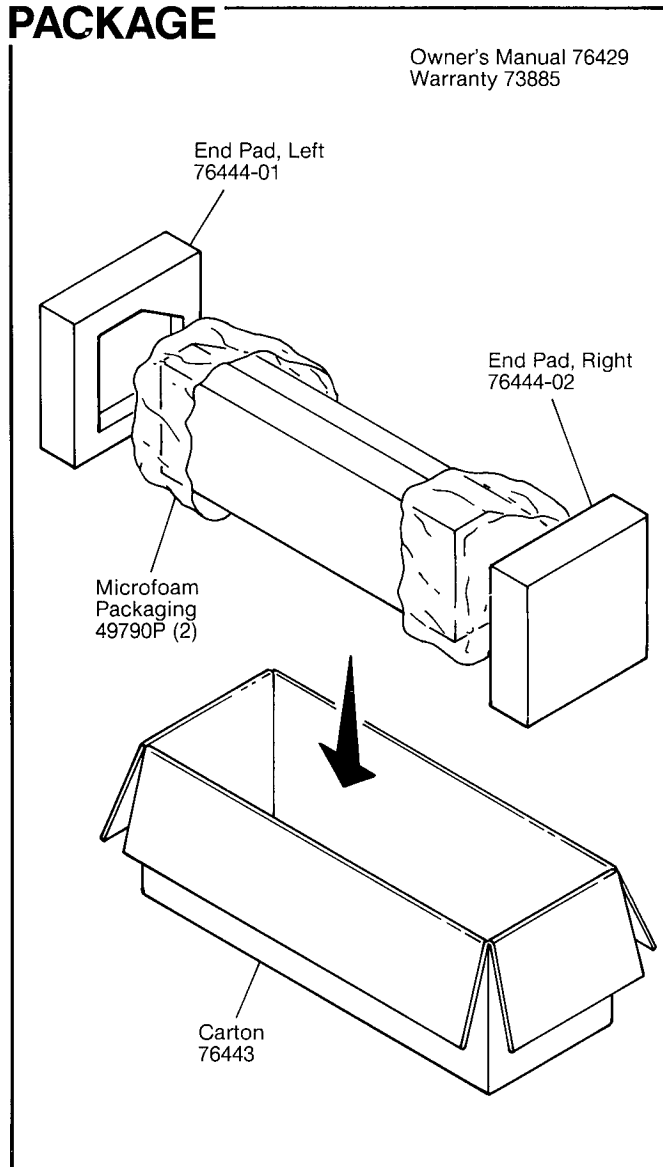
- Enclosure Dimensions: 7.0 x 20.0 x 6.5 in. D (178mm x 508mm x 165mm D)
- Shipping Weight: 18 lbs. (8.2 kg.)

WARRANTY INFORMATION:

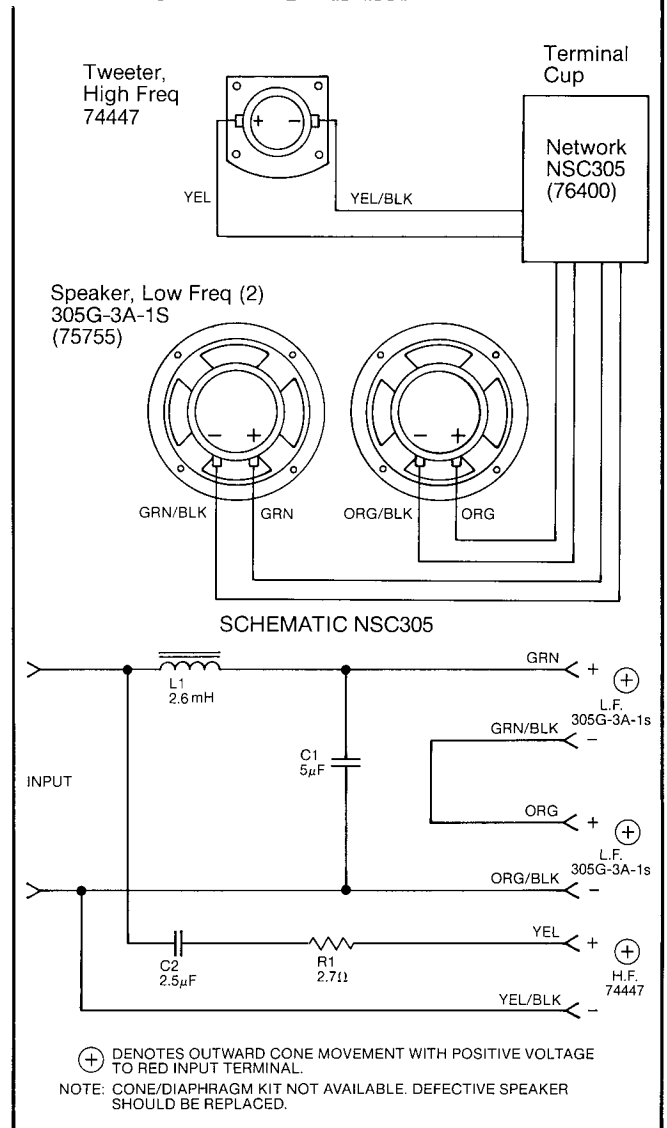
- Refer to the Warranty Statement packed with each product.

*1 Watt @ 1 Meter

PACKAGE



WIRING DIAGRAM



SC305

SC305

COMPONENT EXPLODED VIEW

