

Technical Manual



JBL SR4715N

SPECIFICATIONS

ACOUSTIC & ELECTRICAL SPECIFICATIONS:

- Nominal Impedance: 4 ohm
- Power Rating: 1200W Continuous Pink Noise
4800W Peak Pink Noise
- Frequency Range: 40 Hz to 1.1 kHz
- Sensitivity: 100 dB SPL*
- Crossover Frequencies: N/A

SYSTEM COMPONENTS:

- Cabinet: CSR4715N
- Grille: GSR4715N (71767)
- Low Frequency Transducer: 380mm (15 in.) Paper Cone Transducer (2226H) (2)
- DC Resistance: 5.0 ohm ±10% Aluminum Wire
- Crossover Network: NSR4715N (74106)

AURAL SWEEP TEST SPECIFICATIONS:

- A. System Aural Sweep Test: 7.0V Input, 20 Hz to 20 kHz
- B. L.F. Aural Sweep Test: 10.0V Input, 20 Hz to 1.2 kHz

PHYSICAL SPECIFICATIONS:

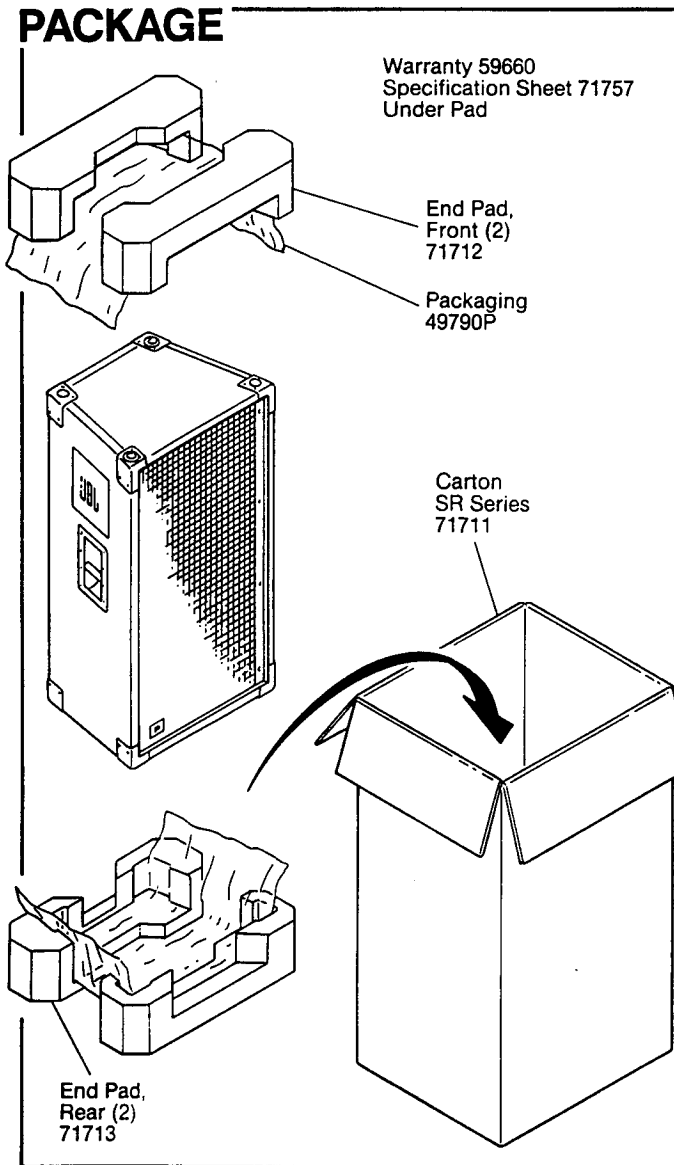
- Enclosure Dimensions: 1092mm x 635mm x 460mm D
(43.0 x 25.0 x 18.0 in. D)
- Shipping Weight: 106 lbs. (48.2 kg)

WARRANTY INFORMATION:

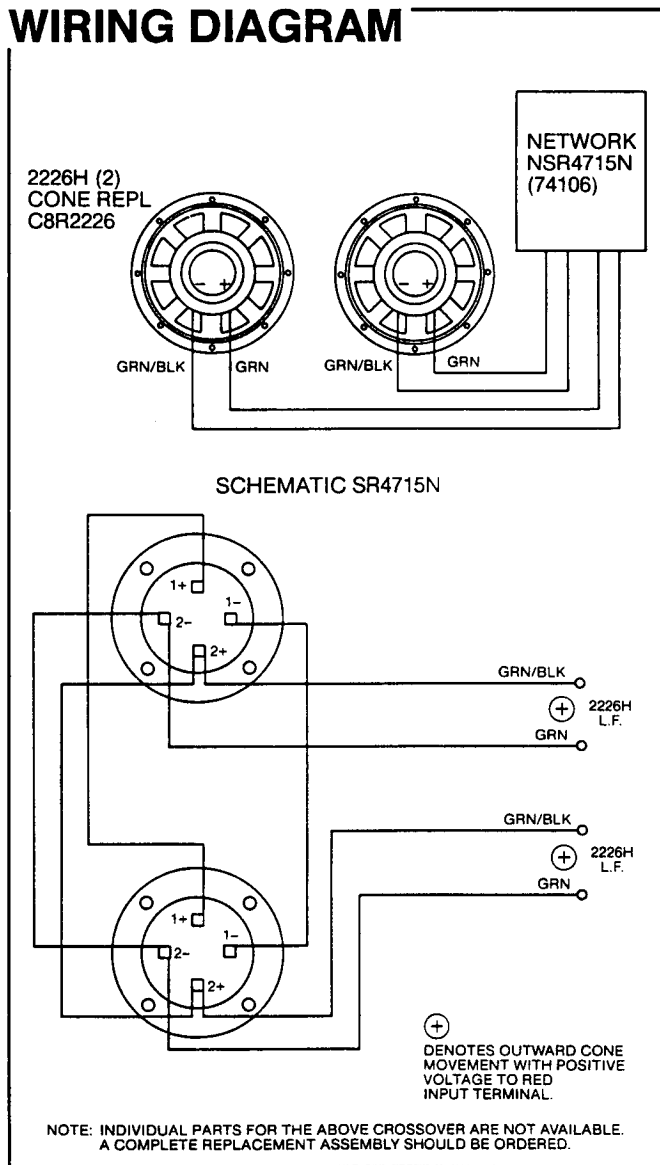
- Refer to the Warranty Statement packed with each product.

*1 Watt (2.83 V RMS) @ 1 Meter

PACKAGE



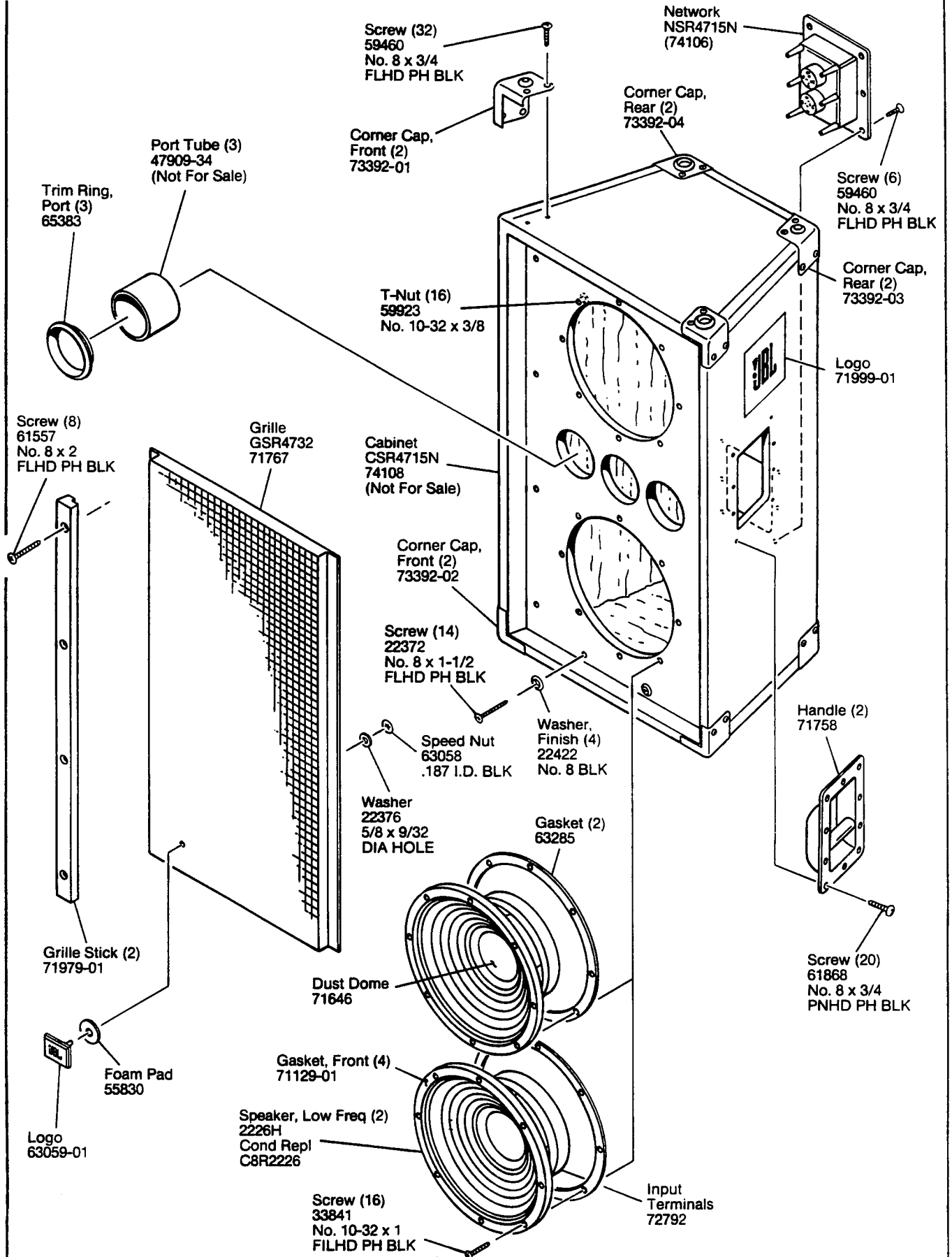
WIRING DIAGRAM



JBL SR4715N REV B

JBL SR4715N

COMPONENT EXPLODED VIEW



JBL SR4715N