

Technical Manual



JBL SR4718

SPECIFICATIONS

ACOUSTIC & ELECTRICAL SPECIFICATIONS:

- Nominal Impedance: 4 ohm
- Power Rating: 600W
- Frequency Response: 30 Hz to 3.3 kHz
- Sensitivity: 98 dB SPL*
- Crossover Frequencies: N/A

SYSTEM COMPONENTS:

- Cabinet: CSR4718
- Grille: GSR4718 (71767)
- Low Frequency Transducer: 460mm (18 in.) Paper Cone Transducer (2241G)

*1 Watt (2.83 V RMS) @ 1 Meter

SYSTEM COMPONENTS: (cont'd)

- DC Resistance: 4.2 ohm \pm 10% Aluminum Wire
- Crossover Network: NSR4718 (71934)

AURAL SWEEP TEST SPECIFICATIONS:

- A. System Aural Sweep Test: 7.0V Input, 20 Hz to 20 kHz
- B. L.F. Aural Sweep Test: 10.0V Input, 20 Hz to 1.2 kHz

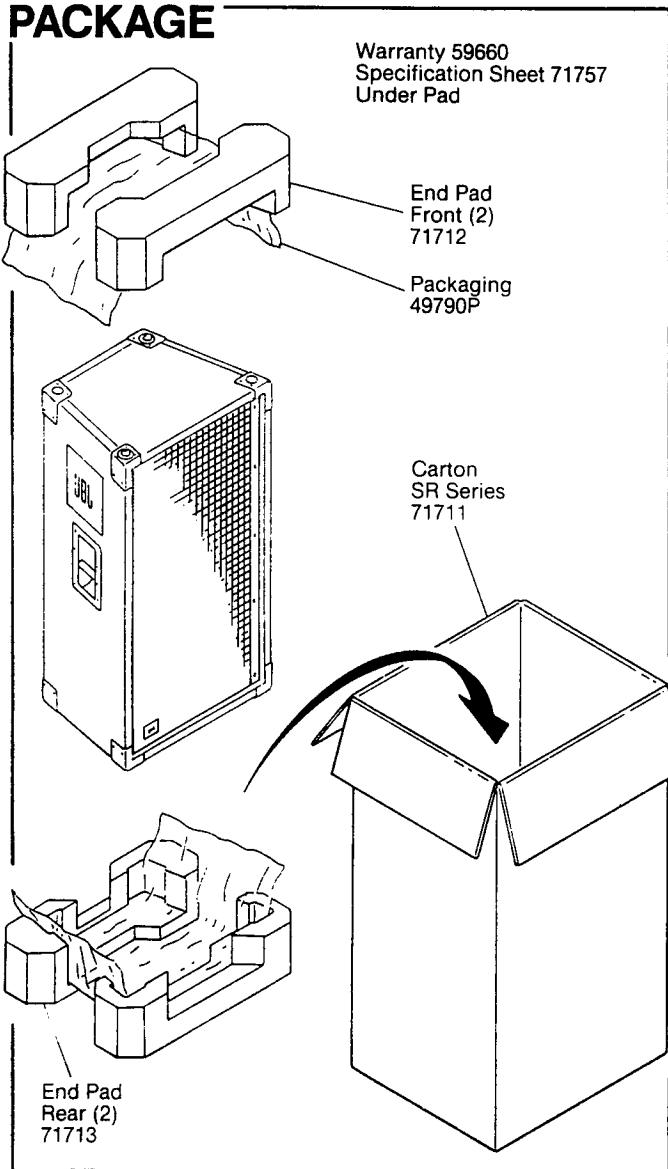
PHYSICAL SPECIFICATIONS:

- Enclosure Dimensions: 1067mm x 622mm x 432mm D (42.0 x 24.5 x 17.0 in. D)
- Shipping Weight: 87 lbs. (39.4 kg)

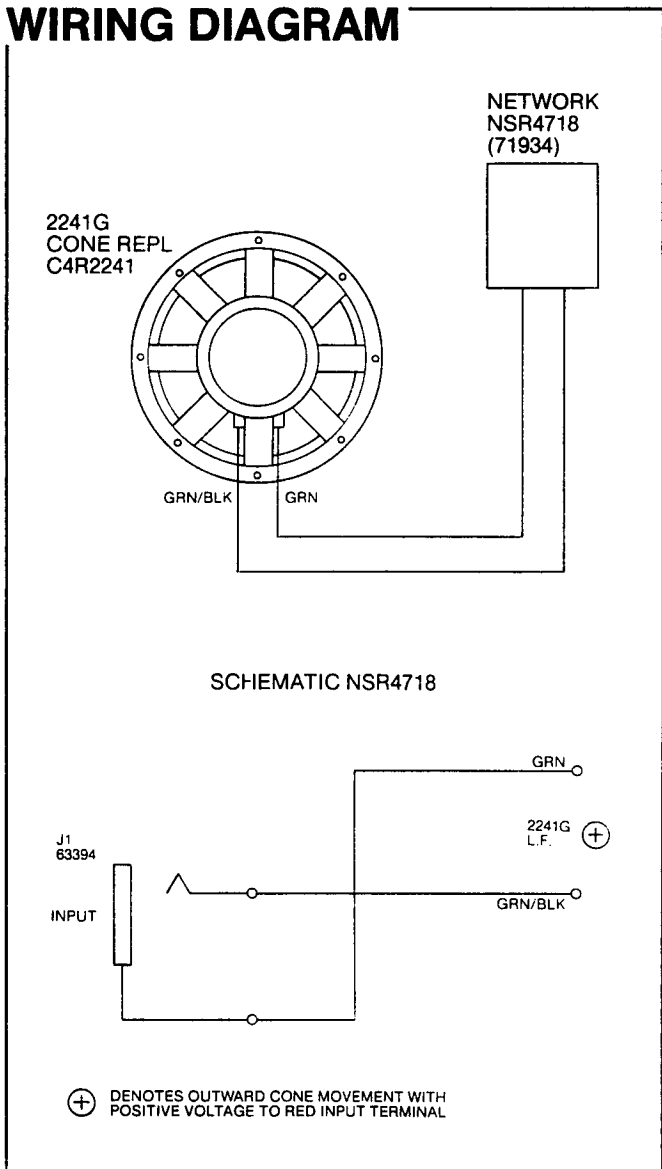
WARRANTY INFORMATION:

- Refer to the Warranty Statement packed with each product.

PACKAGE



WIRING DIAGRAM



JBL SR4718

COMPONENT EXPLODED VIEW

