



# T88

## SPECIFICATIONS

### ACOUSTIC & ELECTRICAL SPECIFICATIONS:

- Nominal Impedance: 8 ohm
- Recommended Amp Power: 10W to 80W
- Frequency Response: 60 Hz to 20 kHz (-6dB)
- Sensitivity: 90 dB SPL\*
- Crossover Frequency: 3.5 kHz

### SYSTEM COMPONENTS:

- Cabinet: CT88 (73338) (Not For Sale)
- Grille: GT88 (76447)
- Low Frequency Transducer: 208H 8 in. (200mm) Polymer Laminate (72412)
- DC Resistance: 6.6 ohm  $\pm 10\%$  Copper Wire

\*1 Watt @ 1 Meter

### SYSTEM COMPONENTS: (cont'd)

- High Frequency Transducer: (12mm) Polycarbonate 72274
- DC Resistance: 5.9 ohm  $\pm 10\%$  Copper Wire
- Crossover Network: 72257

### AURAL SWEEP TEST SPECIFICATIONS:

- A. System Aural Sweep Test: 4.0V Input, 20 Hz to 20 kHz
- B. L.F. Aural Sweep Test: 3.0V Input, 20 Hz to 2 kHz
- C. H.F. Aural Sweep Test: 3.0V Input, 2 kHz to 20 kHz

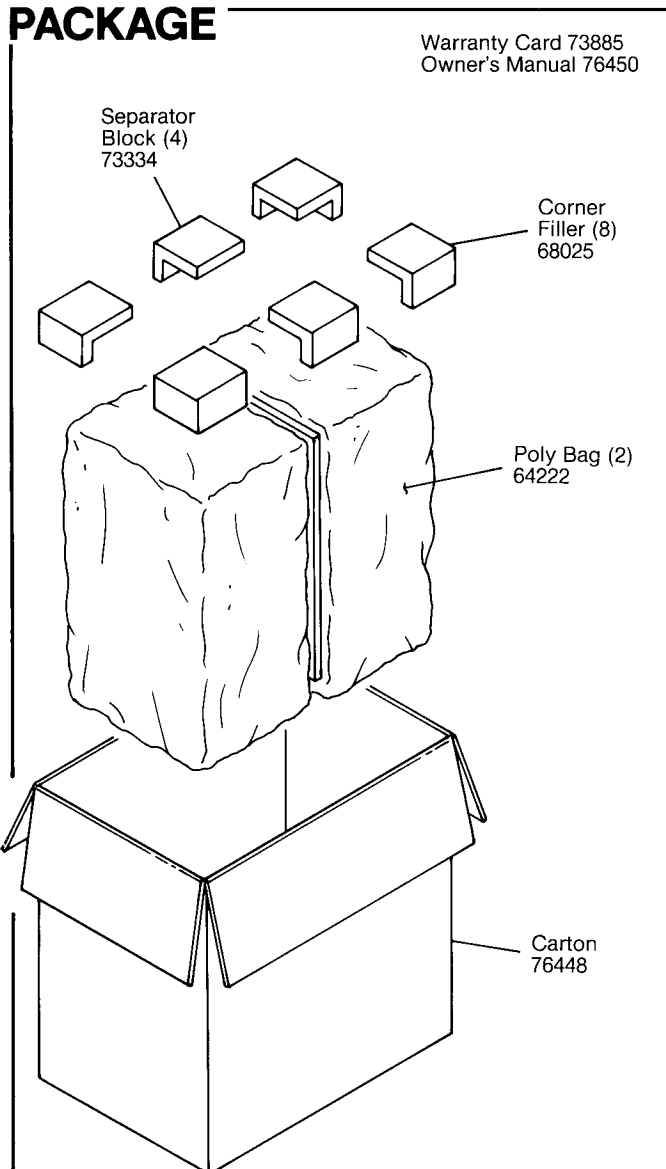
### PHYSICAL SPECIFICATIONS:

- Enclosure Dimensions: 20.0 x 11.87 x 9.87 in. D (508mm x 302mm x 250mm D)
- Shipping Weight: 40 lbs. (18.2 kg.)

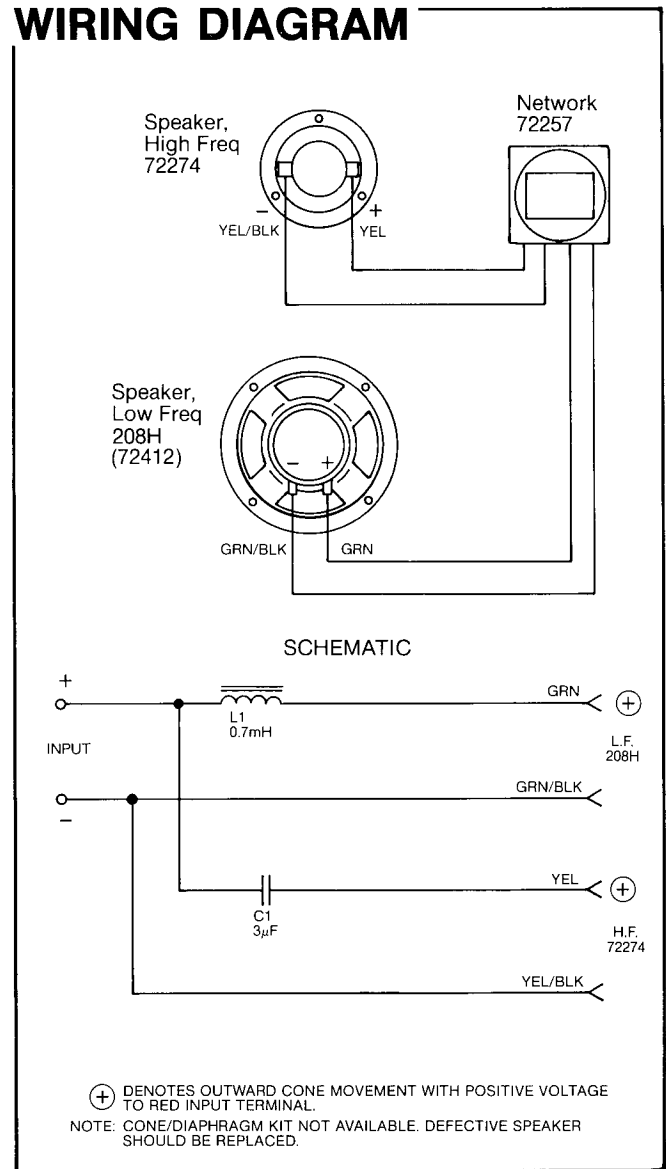
### WARRANTY INFORMATION:

- Refer to the Warranty Statement packed with each product.

## PACKAGE



## WIRING DIAGRAM



## COMPONENT EXPLODED VIEW

