



TLX CENTER 1

SPECIFICATIONS

ACOUSTIC & ELECTRICAL SPECIFICATIONS:

- Nominal Impedance: 8 ohm
- Max Amp Power: 100W
- Frequency Response: 90 Hz to 20 kHz (-6 dB)
- Sensitivity: 90 dB SPL, 1 Watt @ 1 Meter
- Crossover Frequency: 7.5 kHz

SYSTEM COMPONENTS:

- Cabinet: TLX Center 1 (Not For Sale)
- Low Frequency Transducer: 4-1/2 in. (114mm) Hi-Polymer Laminate (2) (C120R22J1970)
- DC Resistance: 4.0 ohm \pm 10%
- High Frequency Transducer: 2-1/2 in. (64mm) Fiber Cone (C065N10J1970)
- DC Resistance: 8 ohm \pm 10%

SYSTEM COMPONENTS: (cont'd)

- Crossover Network: B6034166

AURAL SWEEP TEST SPECIFICATIONS:

- A. System Aural Sweep Test: 5.0V Input, 80 Hz to 20 kHz
- B. L.F. Aural Sweep Test: 5.0V Input, 80 Hz to 4 kHz
- C. H.F. Aural Sweep Test: 3.0V Input, 4 kHz to 20 kHz

PHYSICAL SPECIFICATIONS:

- Enclosure Dimensions: 6.5 x 18.5 x 6.12 in. D (165mm x 470mm x 156mm D)

SHIPPING WEIGHT:

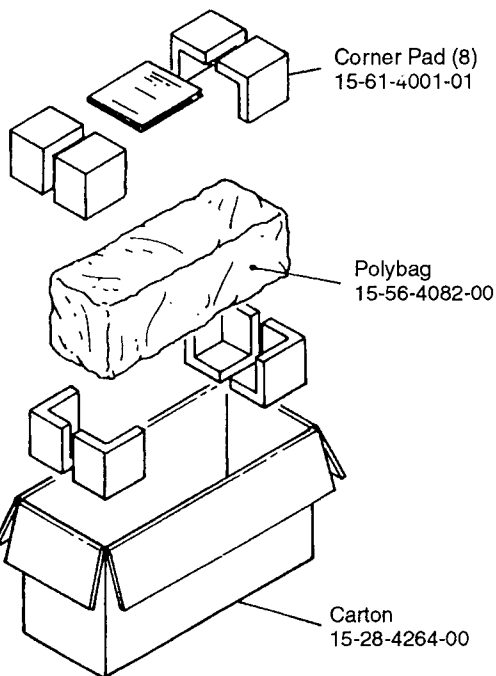
10 lbs. (4.5 kg.)

WARRANTY INFORMATION:

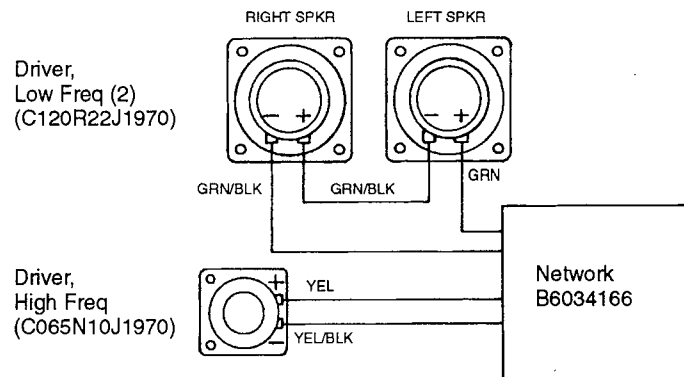
- Refer to the Warranty Statement packed with each product

PACKAGE

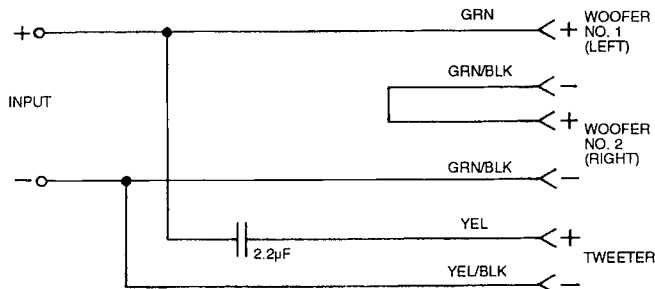
Warranty 15-35-4026-01
 Owner's Manual 15-30-4227-00
 Questionnaire Card 15-35-4031-00



WIRING DIAGRAM



SCHEMATIC TLX CENTER 1

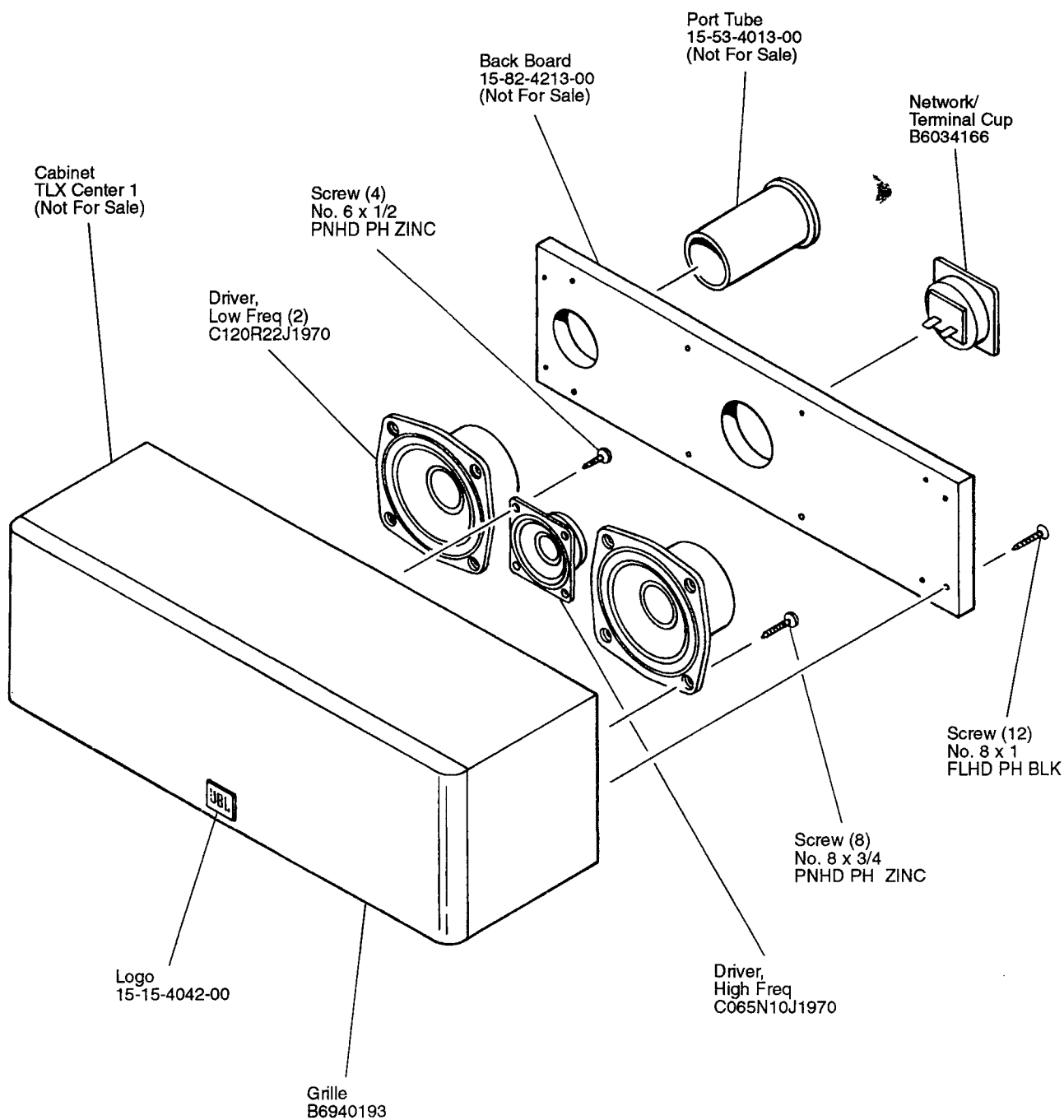


NOTE: CONE/DIAPHRAGM KIT NOT AVAILABLE. DEFECTIVE SPEAKER SHOULD BE REPLACED.

TLX CENTER 1

TLX CENTER 1

COMPONENT EXPLODED VIEW



TLX CENTER 1