

TLX-400



SPECIFICATIONS

ACOUSTIC & ELECTRICAL SPECIFICATIONS:

- * Nominal Impedance: 4 ohm
- * Recommended Amp Power: 10-75W
- * Frequency Response: 40 Hz - 20 kHz (-6dB)
- * Sensitivity: 89 dB / 2,83V / 1 m
- * Crossover frequency: 3 kHz

SYSTEM COMPONENTS:

- * Cabinet: CTLX400 (Not for sale)
- * Grille: GTLX400 (2403240)
- * Woofer: A0906A 170mm Woofer
Polymer laminate cone

SYSTEM COMPONENTS: (cont'd)

- * Tweeter: A0101A 25mm
Titanium Dome Tweeter
- * Crossover Network: NTLX400 (2703240)

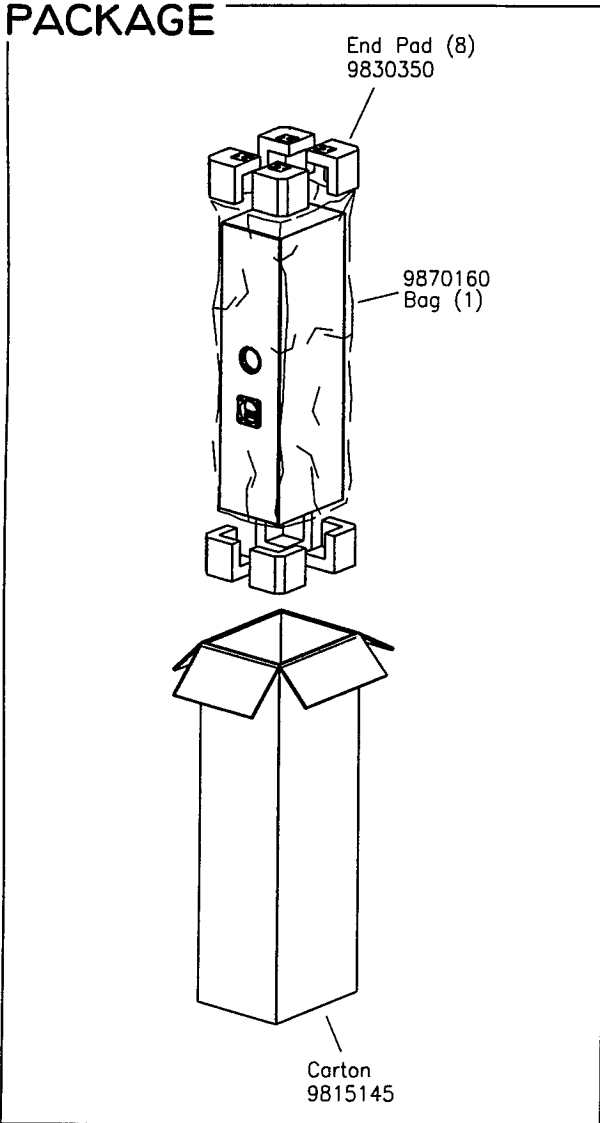
PHYSICAL SPECIFICATIONS:

- * Enclosure Dimensions (H.W.D): 33,1x8,5x11,6 In. D
(841x215x295mm D)
- * Shipping Weight: 36 lbs. (16,5 kg.)

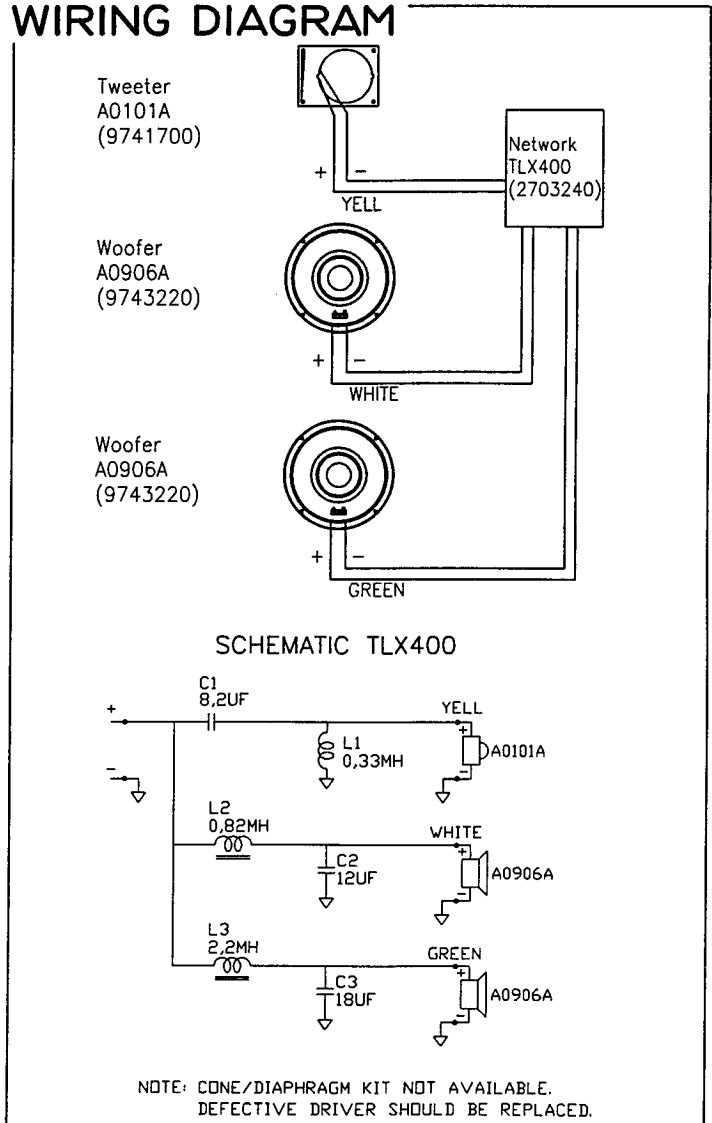
WARRANTY INFORMATION:

- * Refer to the Warranty Statement packed with each product

PACKAGE



WIRING DIAGRAM

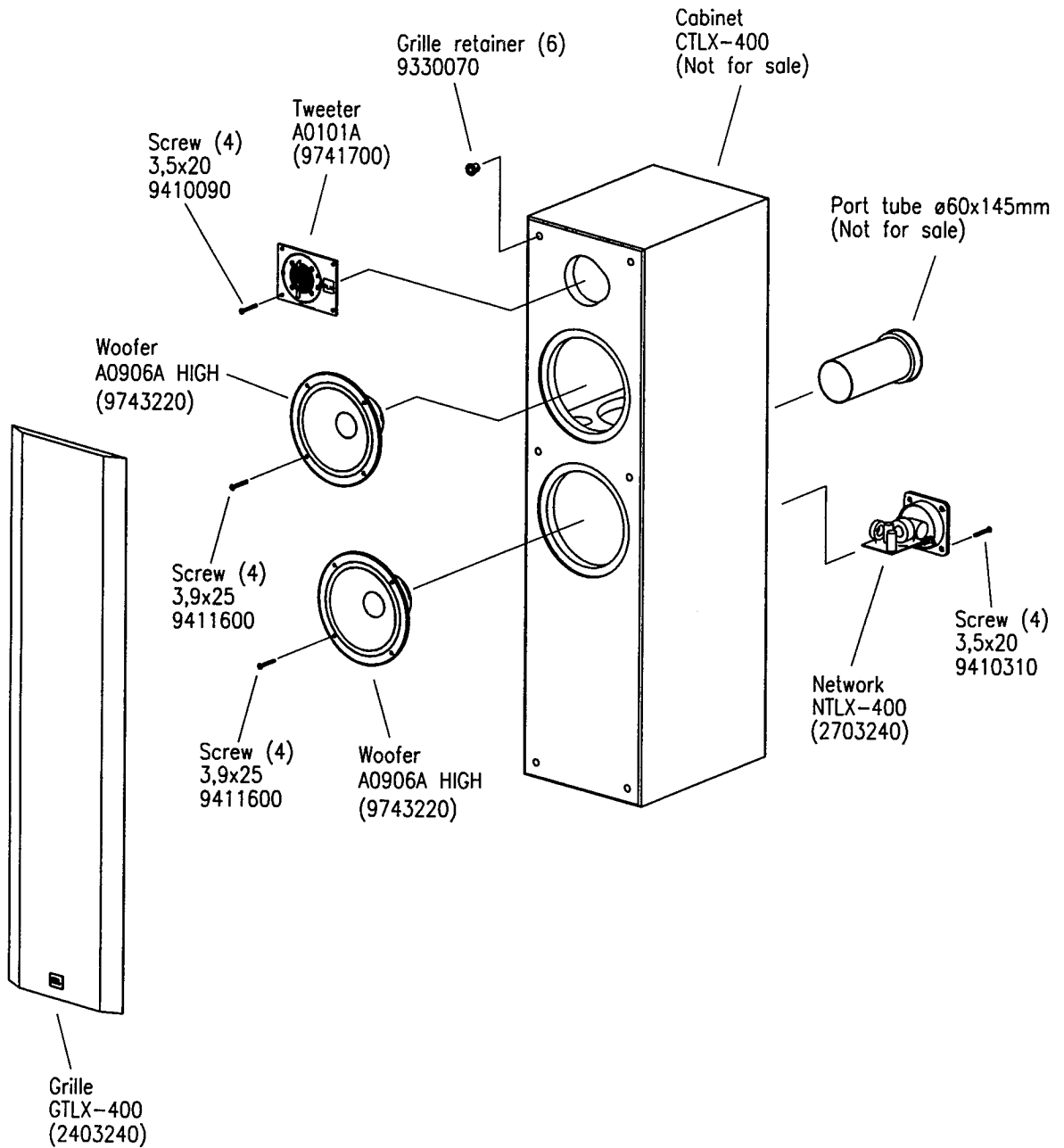


TLX-400

Valid from serial no. 01001
15/8-1997

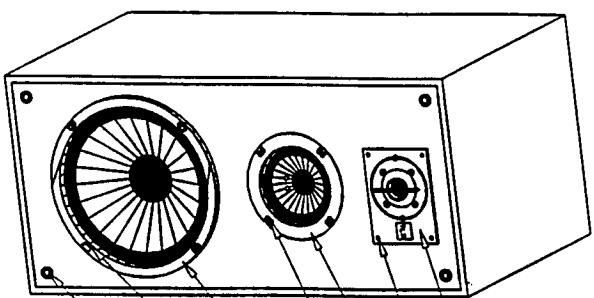
TLX-400

COMPONENT EXPLODED VIEW

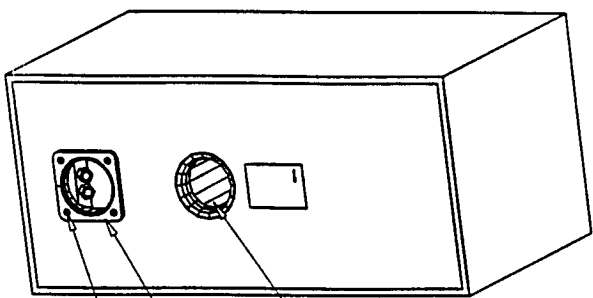


TLX-400

TLX-500



- TWEETER A0101A (9741700)
- SCREW 3,5x20 (4) (9410090)
- MIDRANGE A0904A (9743050)
- SCREW 3,9x25 (4) (9411600)
- WOOFER A0908A (9743260)
- SCREW 3,9x25 (4) (9411600)
- GRILLE RETAINER (4) (9330070)



- PORT TUBE (NOT FOR SALE)
- TERMINAL (9660500)
- SCREW 3,5x20 (4) (9410310)

GRILLE :2403190
NETWORK :2707500