

## Technical Manual

# TLX101



## SPECIFICATIONS

### ACOUSTIC & ELECTRICAL SPECIFICATIONS:

- \* Nominal Impedance: 8 ohm
- \* Recommended Amp Power: 20W
- \* Frequency Response: 200 Hz - 6 kHz (-6dB)
- \* Sensitivity: 88 dB / 2,83V / 1 m

### SYSTEM COMPONENTS:

- \* Cabinet: CTLX101 (Not for sale)
- \* Grille: GTLX101 (Not for sale)
- \* Woofer: Vifa K10 110mm Woofer  
Polymer laminate cone

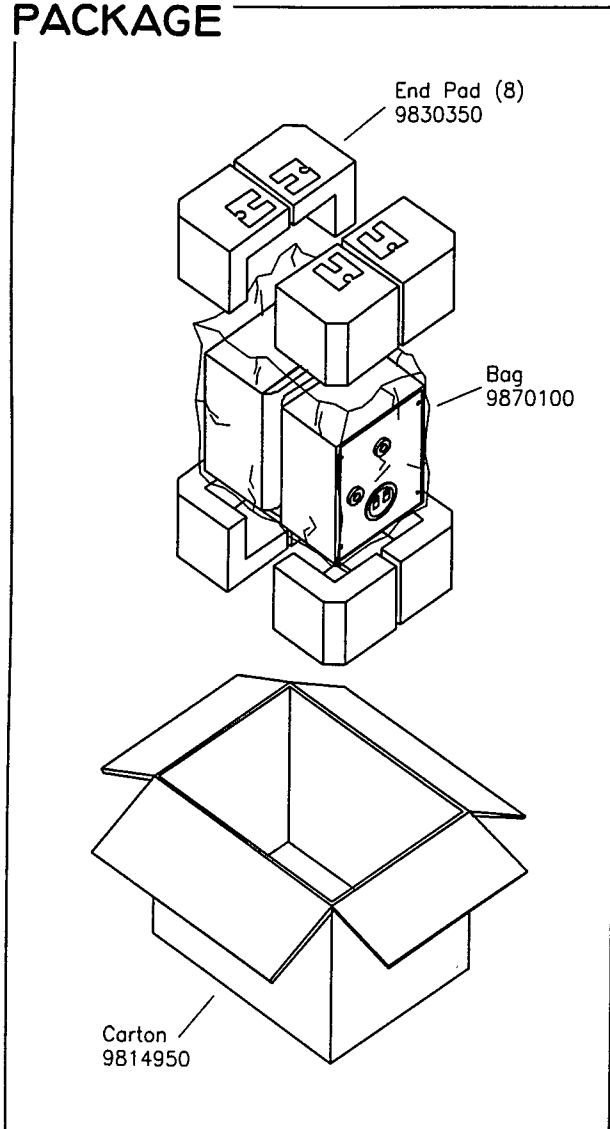
### PHYSICAL SPECIFICATIONS:

- \* Enclosure Dimensions (H.W.D): 8,3x6,2x4,4 In. D  
(210x158x112mm D)
- \* Shipping Weight: 8,8 lbs. (4 kg.)

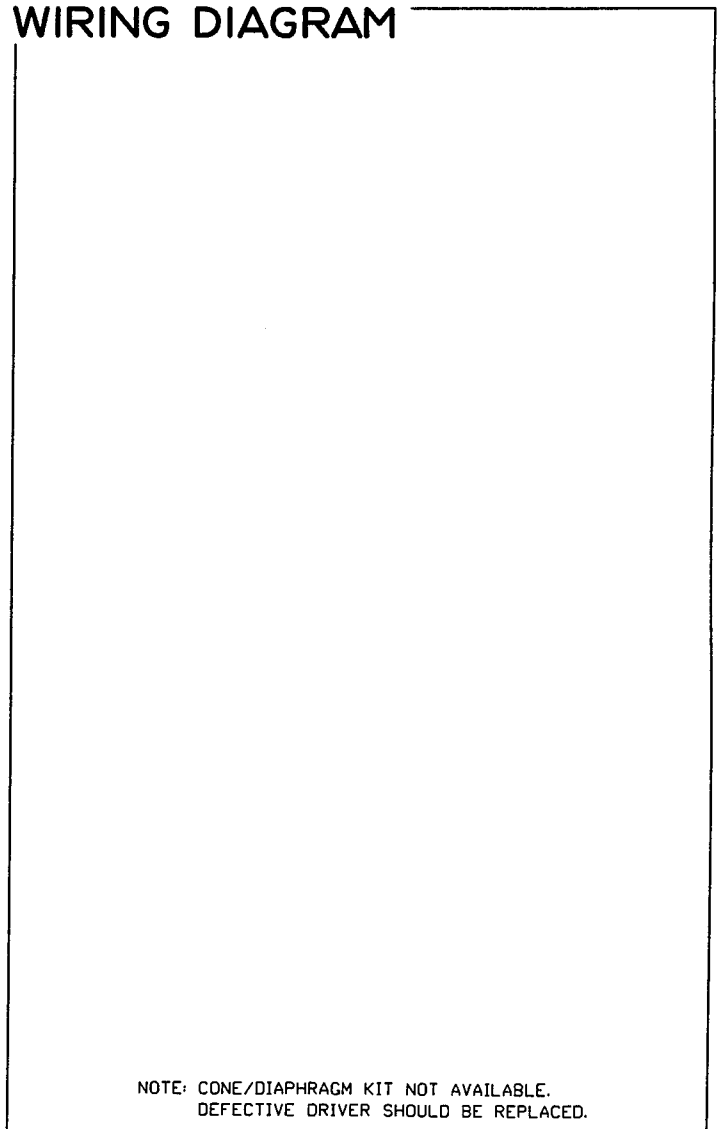
### WARRANTY INFORMATION:

- \* Refer to the Warranty Statement packed with each product

## PACKAGE



## WIRING DIAGRAM



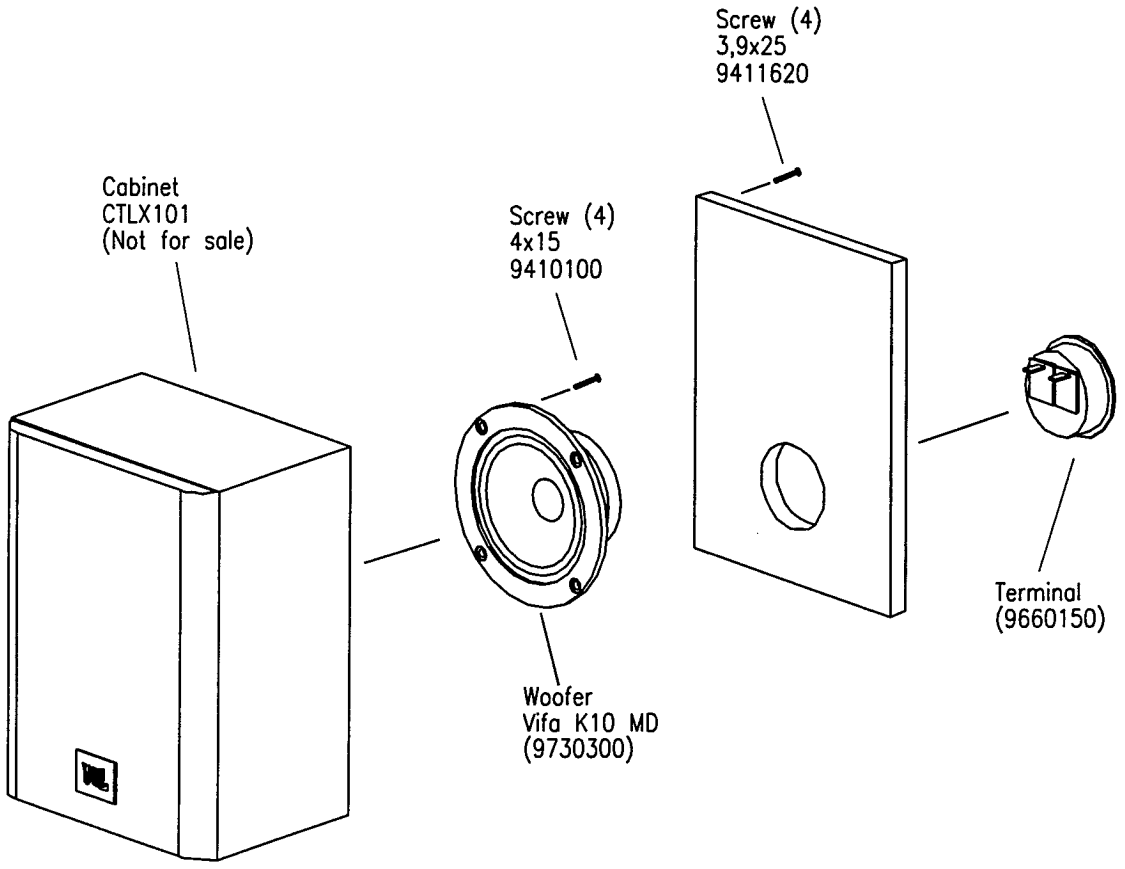
NOTE: CONE/DIAPHRAGM KIT NOT AVAILABLE.  
DEFECTIVE DRIVER SHOULD BE REPLACED.

TLX101

Valid from serial no. 02075  
Rev. 20/6-1996

# TLX101

## COMPONENT EXPLODED VIEW



TLX101