



# TLX105

## SPECIFICATIONS

**ACOUSTIC & ELECTRICAL SPECIFICATIONS:**

- Nominal Impedance: 8 ohm
- Max Amp Power: 50W
- Frequency Response: 75 Hz – 20 kHz (-6 dB)
- Sensitivity: 86 dB SPL, 1 Watt @ 1 Meter
- Crossover Frequency: 2.2 kHz

**SYSTEM COMPONENTS:**

- Cabinet: TLX105 (Not For Sale)
- Grille: (Not For Sale)
- Low Frequency Transducer: 5 in. (130mm) 10-601-S  
DC Resistance: 3.9 ohm ±5%
- High Frequency Transducer: 2 in. (51mm) Paper Cone 72273  
DC Resistance: 6.4 ohm ±10%

**SYSTEM COMPONENTS: (cont'd)**

- Crossover Network: TLX105 (10-603-S)

**AURAL SWEEP TEST SPECIFICATIONS:**

- A. System Aural Sweep Test: 6.0V Input, 20 Hz to 20 kHz
- B. L.F. Aural Sweep Test: 6.0V Input, 20 Hz to 4 kHz
- C. H.F. Aural Sweep Test: 3.0V Input, 4 kHz to 20 kHz

**PHYSICAL SPECIFICATIONS:**

- Enclosure Dimensions: 10.75 x 6.5 x 7.25 in. D (273mm x 165mm x 184mm D)

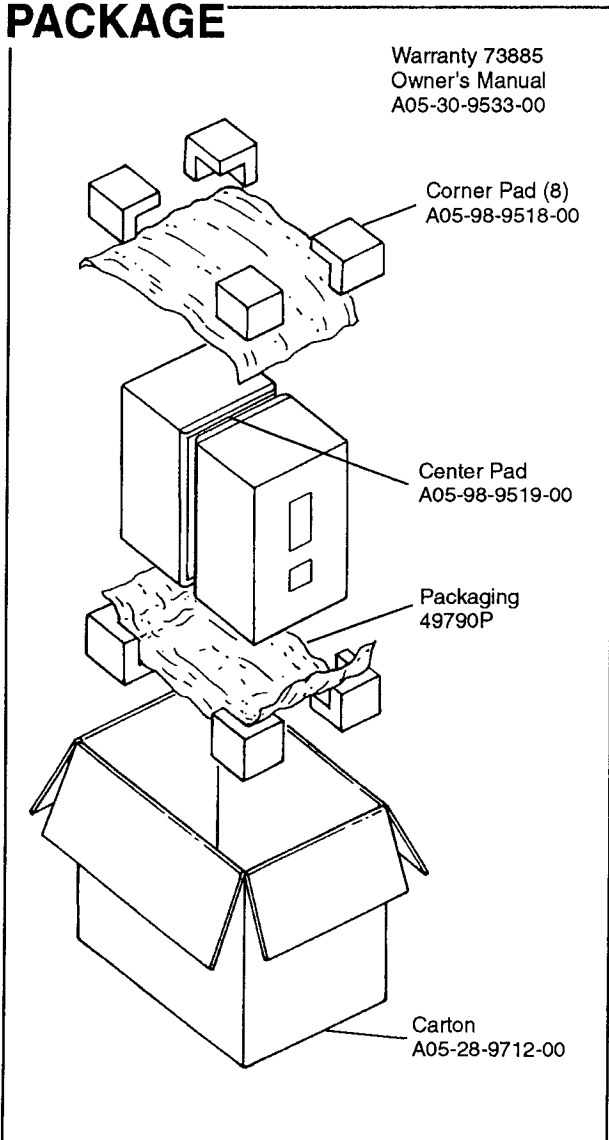
**SHIPPING WEIGHT:**

16 lbs. (7.2 kg.) (In Pairs)

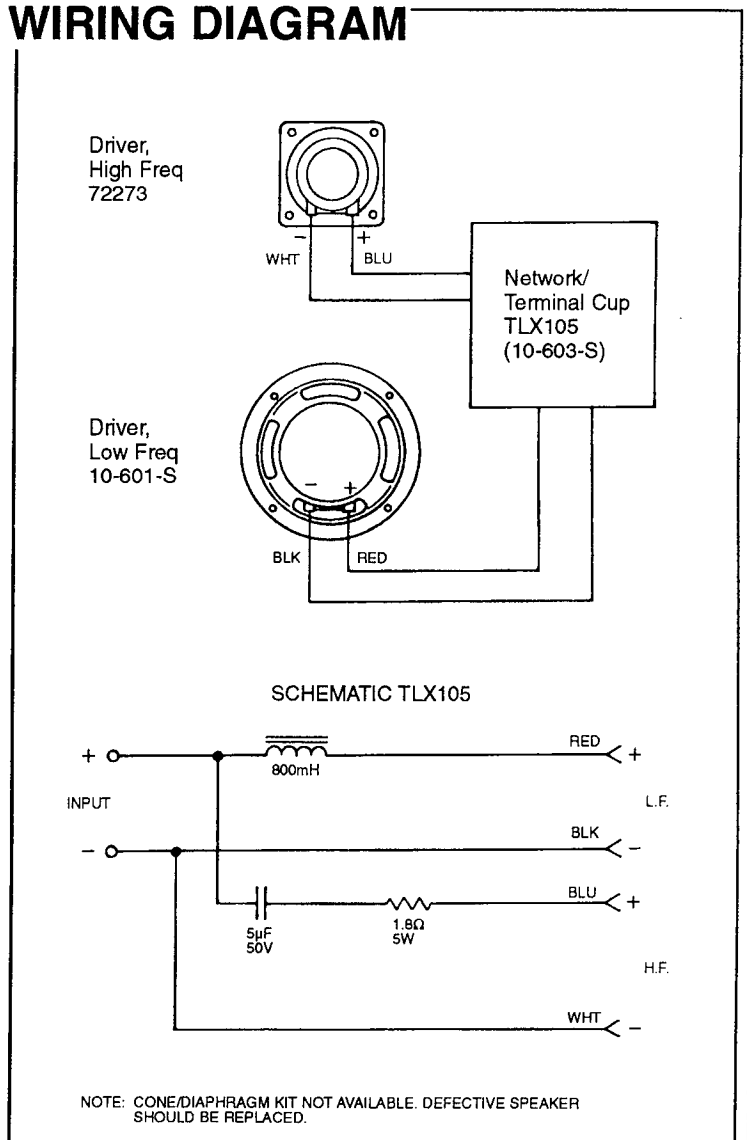
**WARRANTY INFORMATION:**

- Refer to the Warranty Statement packed with each product.

### PACKAGE



### WIRING DIAGRAM



# TLX105

## COMPONENT EXPLODED VIEW

