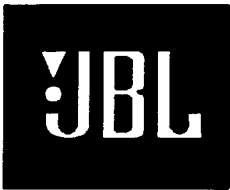


# Technical Manual

# TLX121



## SPECIFICATIONS

### ACOUSTIC & ELECTRICAL SPECIFICATIONS:

- \* Nominal Impedance: 8 ohm
- \* Recommended Amp Power: 10-100W
- \* Frequency Response: 65 Hz - 20 kHz (-6dB)
- \* Sensitivity: 88 dB / 2,83V / 1 m
- \* Crossover frequency: 4 kHz

### SYSTEM COMPONENTS:

- \* Cabinet: CTLX121 (Not for sale)
- \* Grille: GLTX121 (240774)
- \* Woofer: A0906A 170mm Woofer  
Polymer laminate cone

### SYSTEM COMPONENTS: (cont'd)

- \* Tweeter: TW010MR 10mm  
Titanium Dome Tweeter
- \* Crossover Network: NTLX121 (270774)

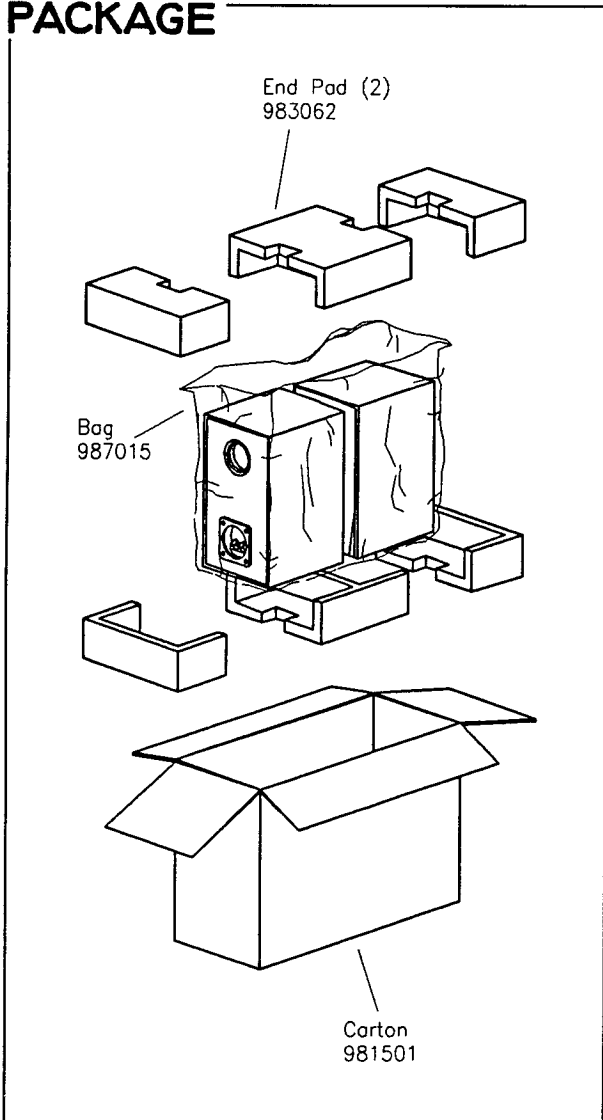
### PHYSICAL SPECIFICATIONS:

- \* Enclosure Dimensions (H.W.D): 13,8x7,8x9,6 In. D  
(350x200x245mm D)
- \* Shipping Weight: 10,5 lbs. (4,8 kg.)

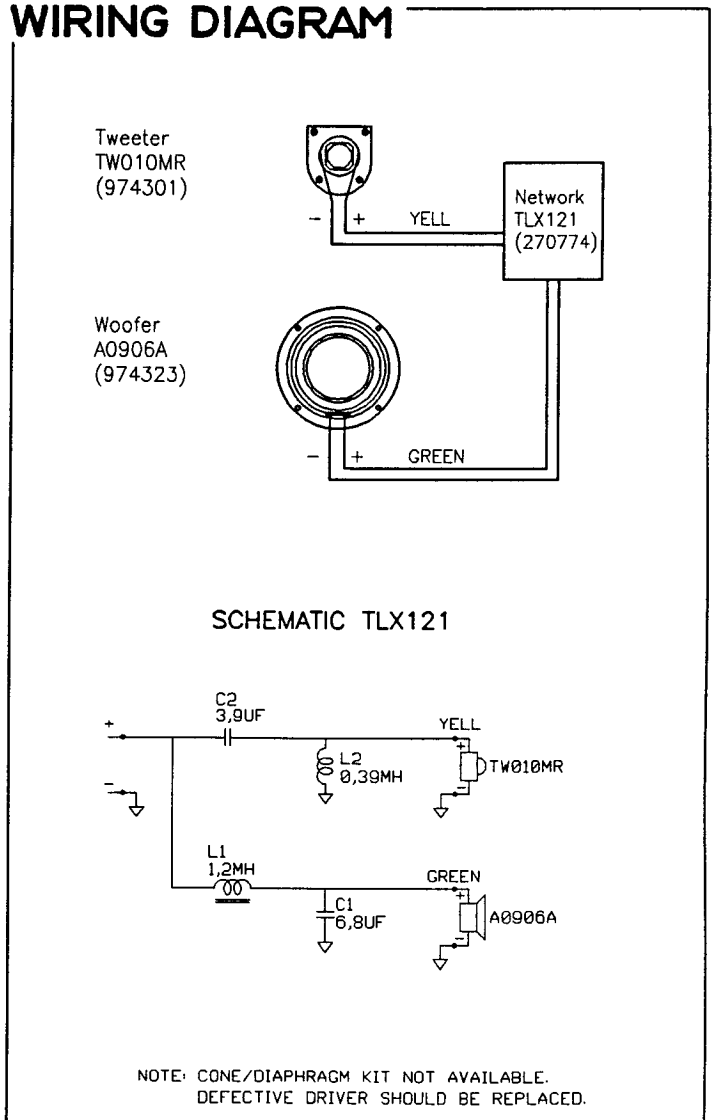
### WARRANTY INFORMATION:

- \* Refer to the Warranty Statement packed with each product

## PACKAGE



## WIRING DIAGRAM



TLX121

Valid from serial no. 01001  
Rev 28/9-1995

# TLX121

## COMPONENT EXPLODED VIEW

