

Technical Manual

TLX151



SPECIFICATIONS

ACOUSTIC & ELECTRICAL SPECIFICATIONS:

- * Nominal Impedance: 8 ohm
- * Recommended Amp Power: 10-125W
- * Frequency Response: 60 Hz - 20 kHz (-6dB)
- * Sensitivity: 89 dB / 2,83V / 1 m
- * Crossover frequency: 600HZ / 4 kHz

SYSTEM COMPONENTS:

- * Cabinet: CTLX151 (Not for sale)
- * Grille: GTLX151 (240776)
- * Woofer: A0908A 210mm Woofer
Polymer laminate cone
- * Midrange: A0904A 100mm Midrange
Polymer laminate cone

SYSTEM COMPONENTS: (cont'd)

- * Tweeter: TW010MR 10mm
Titanium Dome Tweeter
- * Crossover Network: NTLX151 (270776)

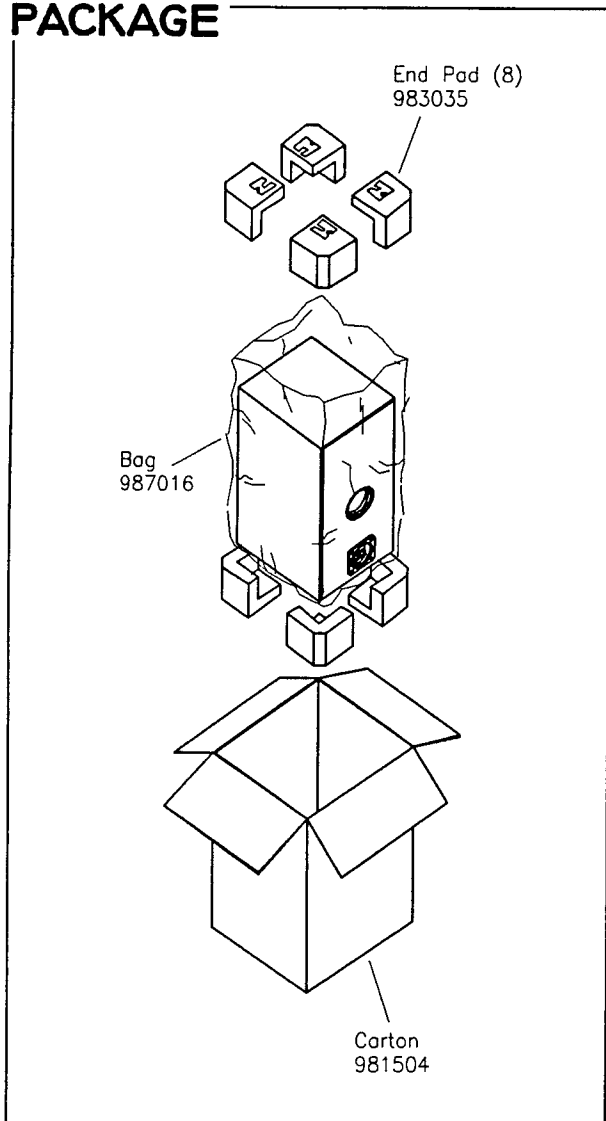
PHYSICAL SPECIFICATIONS:

- * Enclosure Dimensions (H.W.D): 20,9x9,8x12 in. D
(530x250x305mm D)
- * Shipping Weight: 21 lbs. (9.5 kg.)

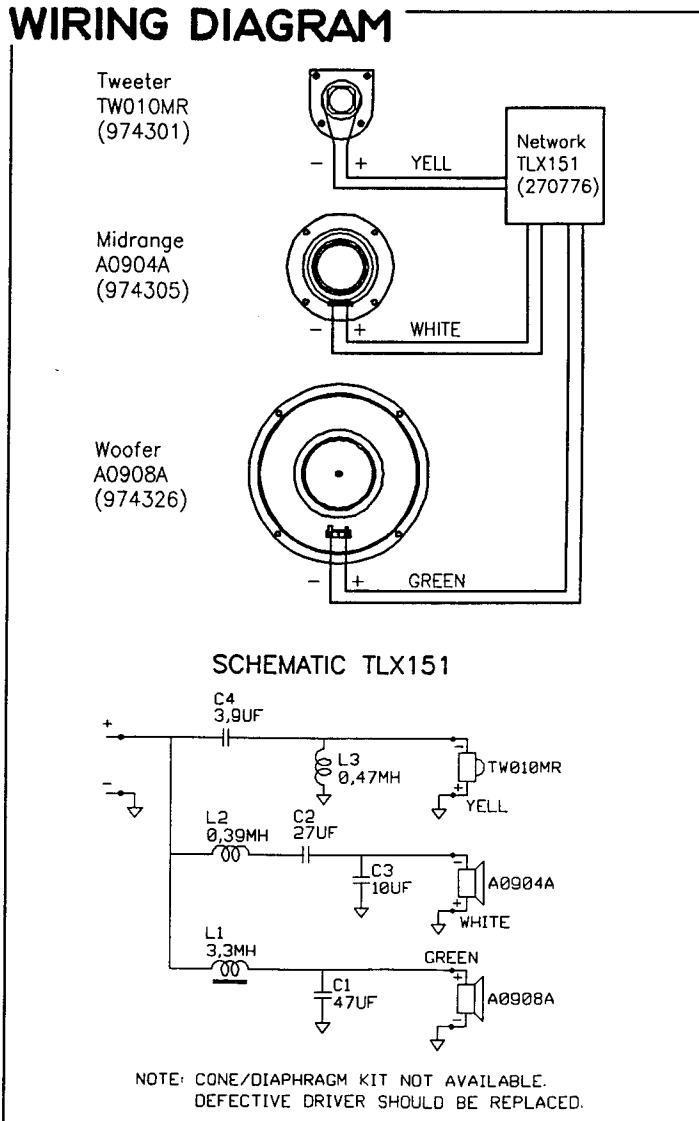
WARRANTY INFORMATION:

- * Refer to the Warranty Statement packed with each product

PACKAGE



WIRING DIAGRAM

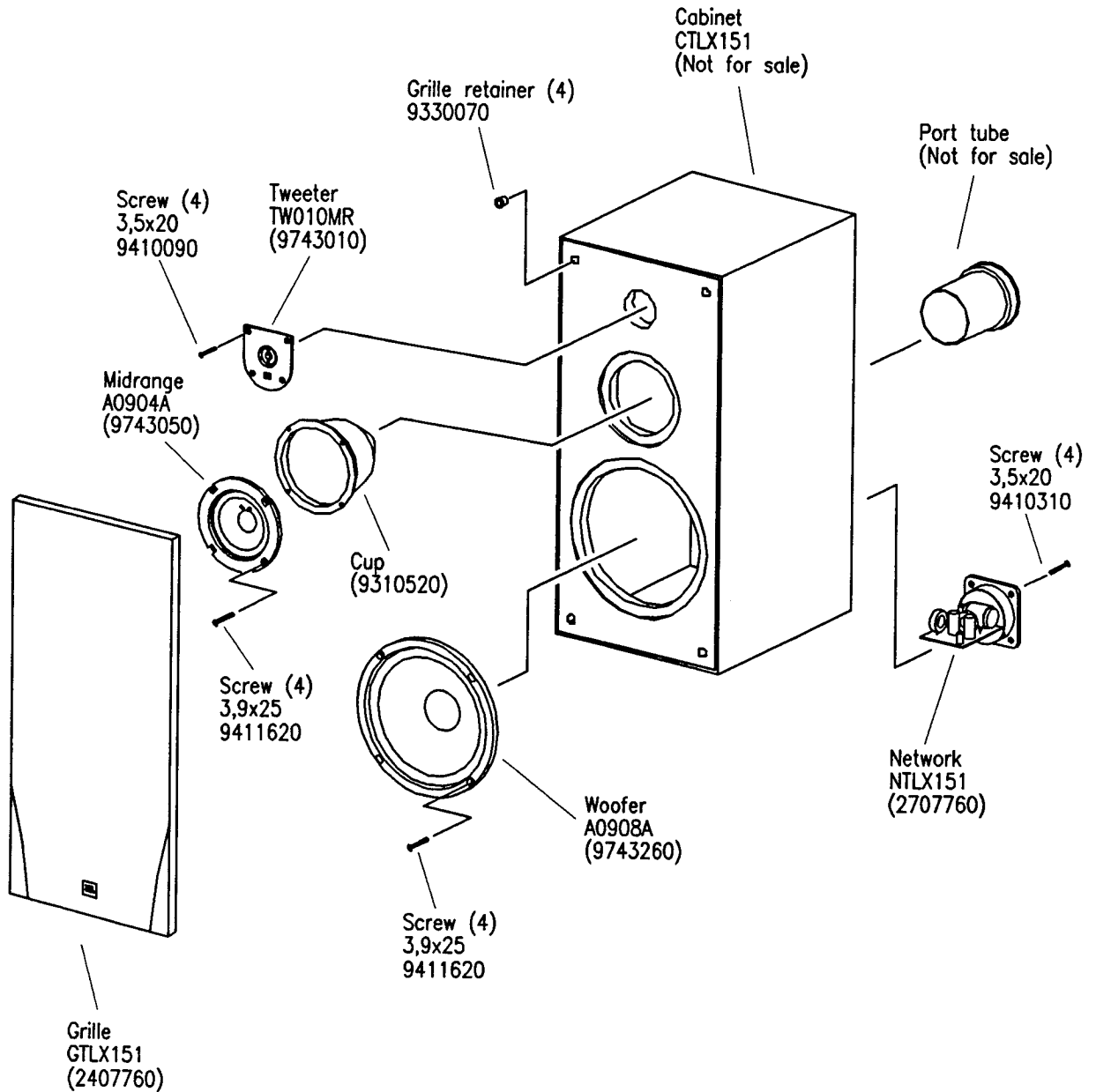


TLX151

Valid from serial no. 01001
Rev 28/9-1995

TLX151

COMPONENT EXPLODED VIEW



TLX151