

# TLX151



## SPECIFICATIONS

### ACOUSTIC & ELECTRICAL SPECIFICATIONS:

- \* Nominal Impedance: 8 ohm
- \* Recommended Amp Power: 10-125W
- \* Frequency Response: 60 Hz - 20 kHz (-6dB)
- \* Sensitivity: 89 dB / 2.83V / 1 m
- \* Crossover frequency: 600HZ / 4 kHz

### SYSTEM COMPONENTS:

- \* Cabinet: CTLX151 (Not for sale)
- \* Grille: GTLX151 (2407760)
- \* Woofer: A0908A 210mm Woofer  
Polymer laminate cone
- \* Midrange: A0904A 100mm Midrange  
Polymer laminate cone

### SYSTEM COMPONENTS: (cont'd)

- \* Tweeter: TW010MR 10mm  
Titanium Dome Tweeter
- \* Crossover Network: NTLX151 (2707760)

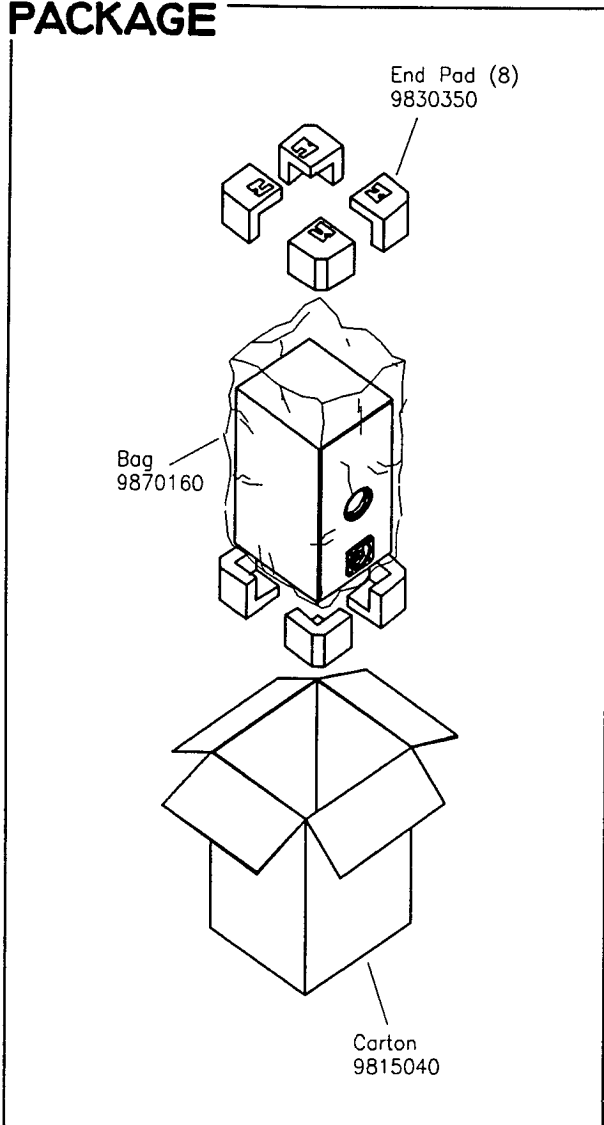
### PHYSICAL SPECIFICATIONS:

- \* Enclosure Dimensions (H.W.D): 20,9x9,8x12 in. D  
(530x250x305mm D)
- \* Shipping Weight: 21 lbs. (9.5 kg.)

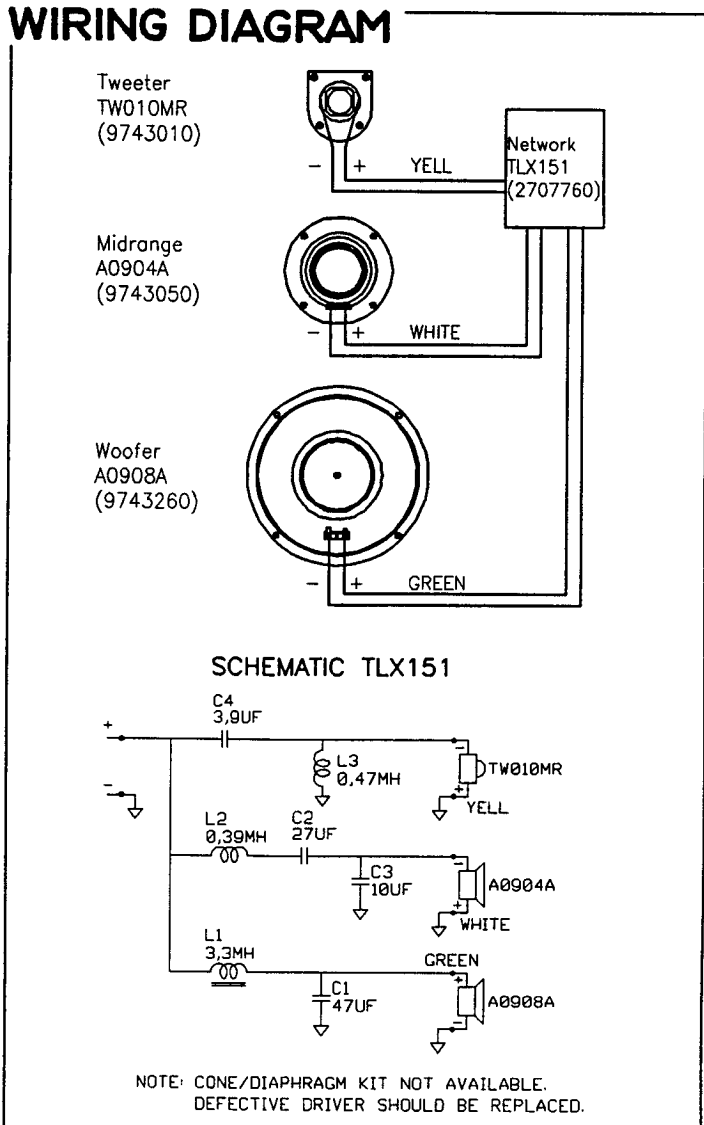
### WARRANTY INFORMATION:

- \* Refer to the Warranty Statement packed with each product

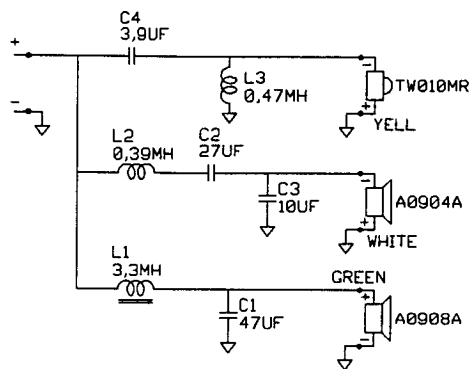
## PACKAGE



## WIRING DIAGRAM



### SCHEMATIC TLX151



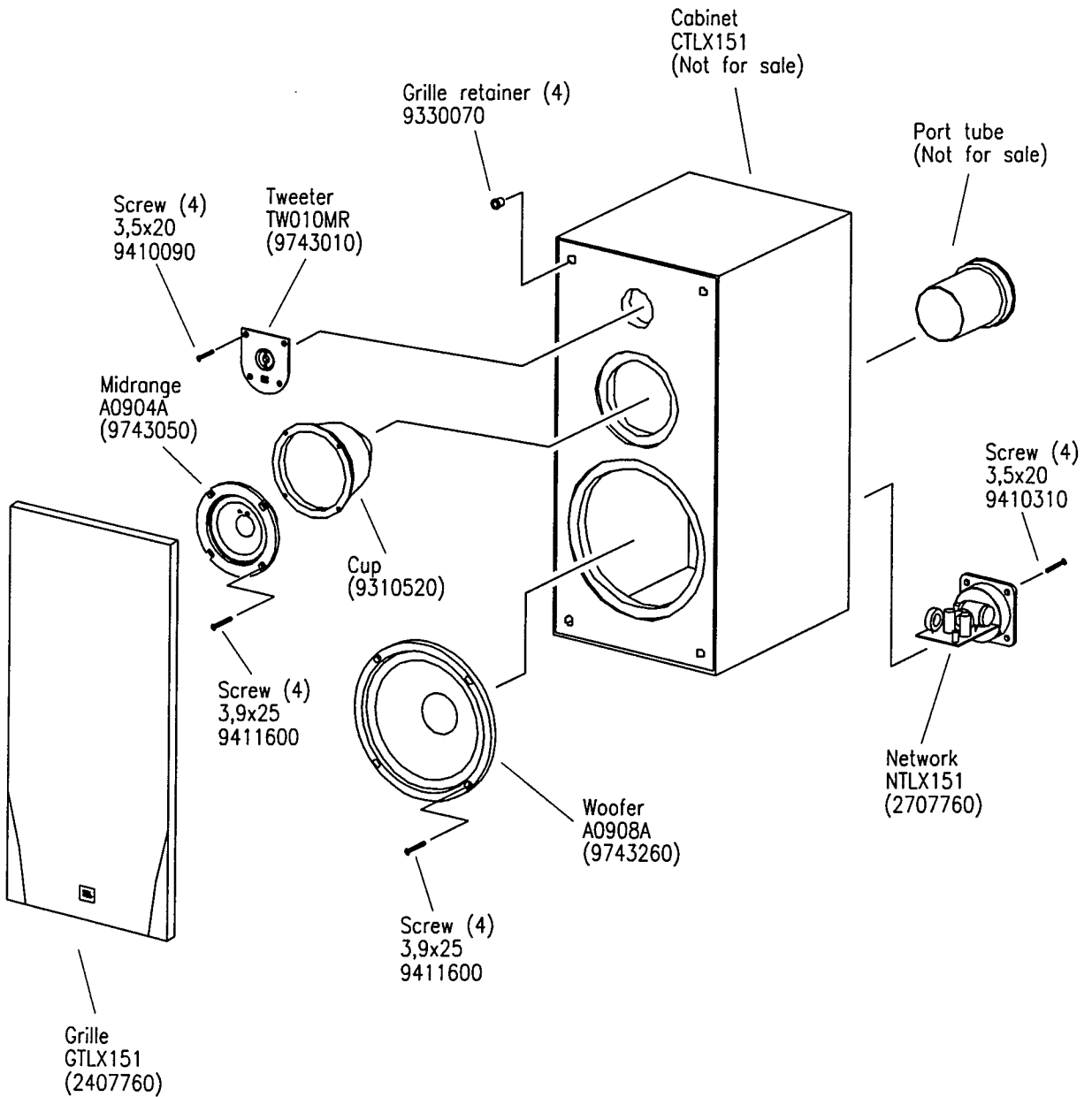
NOTE: CONE/DIAPHRAGM KIT NOT AVAILABLE.  
DEFECTIVE DRIVER SHOULD BE REPLACED.

TLX151

Valid from serial no. 03501  
Rev. 18/12-1995

# TLX151

## COMPONENT EXPLODED VIEW



TLX151