



TLX161

SPECIFICATIONS

ACOUSTIC & ELECTRICAL SPECIFICATIONS:

- * Nominal Impedance: 8 ohm
- * Recommended Amp Power: 10-175W
- * Frequency Response: 45 Hz - 20 kHz (-6dB)
- * Sensitivity: 90 dB / 2,83V / 1 m
- * Crossover frequency: 600HZ / 4 kHz

SYSTEM COMPONENTS:

- * Cabinet: CTLX161 (Not for sale)
GTLX161 (2407780)
- * Grille: A0910A 240mm Woofer
Polymer laminate cone
- * Woofer: A0904A 100mm Midrange
Polymer laminat cone
- * Midrange

SYSTEM COMPONENTS: (cont'd)

- * Tweeter: TW010MR 10mm
Titanium Dome Tweeter
- * Crossover Network: NTLX161 (2707760)

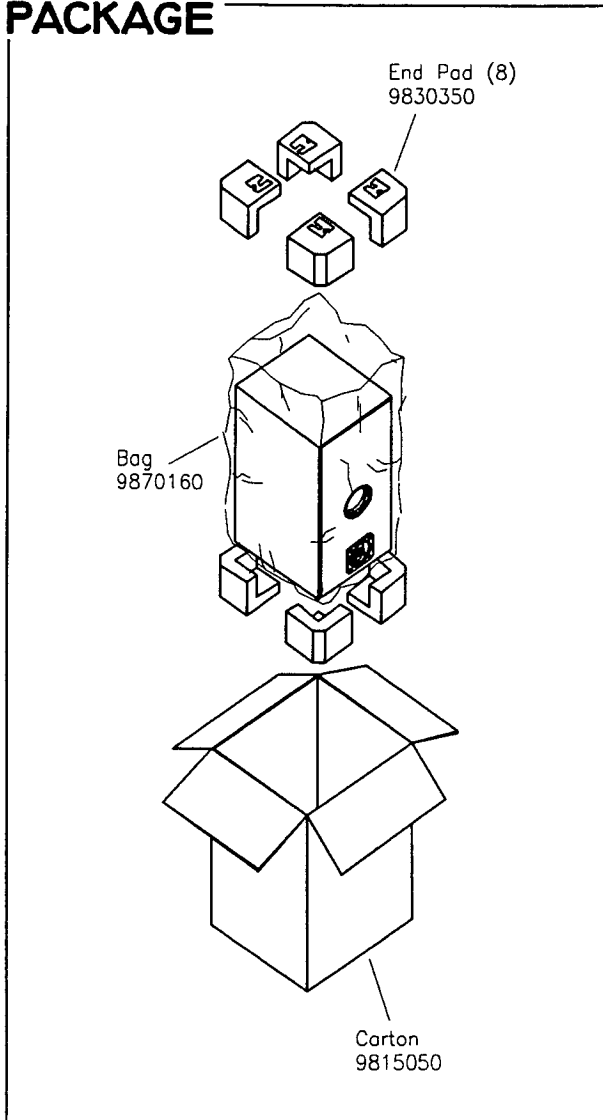
PHYSICAL SPECIFICATIONS:

- * Enclosure Dimensions (H.W.D): 22,8x11x12,4 in. D
(580x280x315mm D)
- * Shipping Weight: 27,5 lbs. (12,5 kg.)

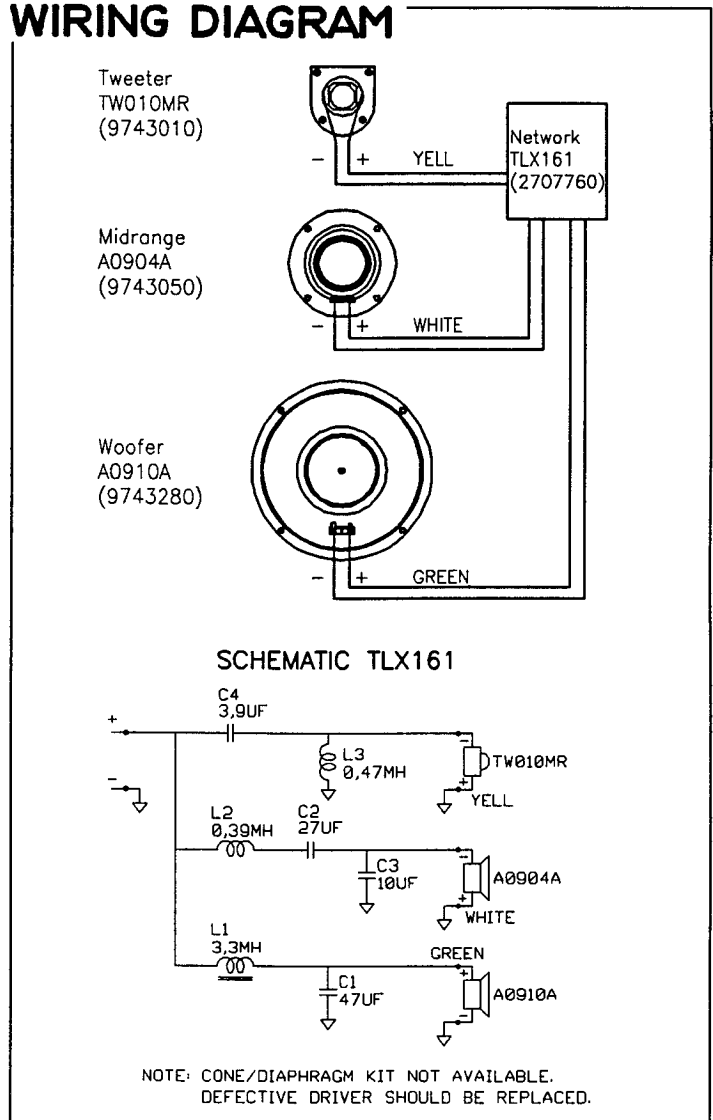
WARRANTY INFORMATION:

- * Refer to the Warranty Statement packed with each product

PACKAGE



WIRING DIAGRAM

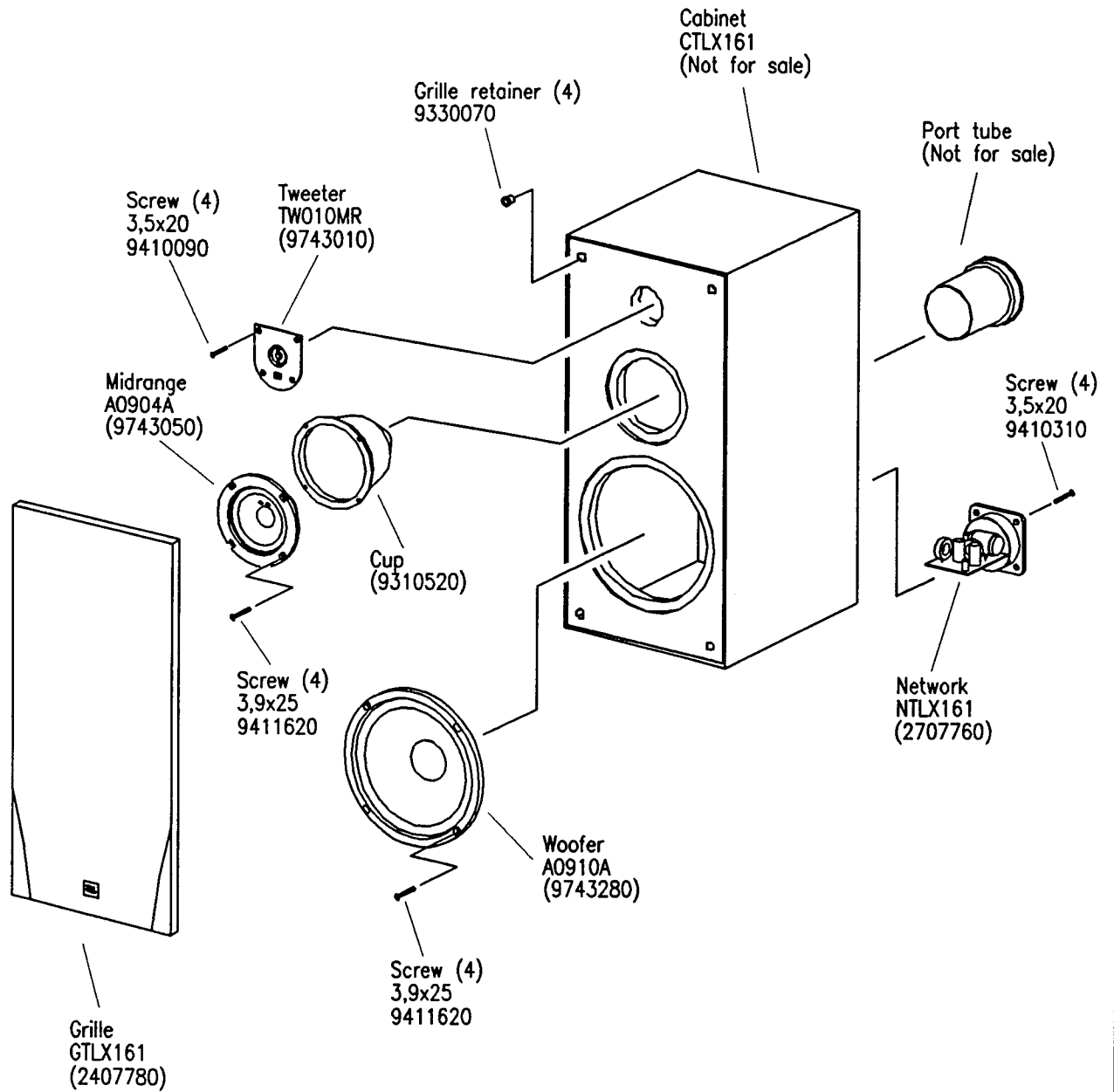


TLX161

Valid from serial no. 02501
Rev. 18/12-1995

TLX161

COMPONENT EXPLODED VIEW



TLX161