

TLX171



SPECIFICATIONS

ACOUSTIC & ELECTRICAL SPECIFICATIONS:

- * Nominal Impedance: 8 ohm
- * Recommended Amp Power: 10-150W
- * Frequency Response: 45 Hz - 20 kHz (-6dB)
- * Sensitivity: 90 dB / 2,83V / 1 m
- * Crossover frequency: 600HZ / 4 kHz

SYSTEM COMPONENTS:

- * Cabinet: CTLX171 (Not for sale)
- * Grille: GTLX171 (240780)
- * Woofer: A0908A 210mm Woofer
Polymer laminate cone
- * Midrange: A0904A 100mm Midrange
Polymer laminate cone

SYSTEM COMPONENTS: (cont'd)

- * Tweeter: TW010MR 10mm
Titanium Dome Tweeter
- * Crossover Network: NTLX171 (270776)

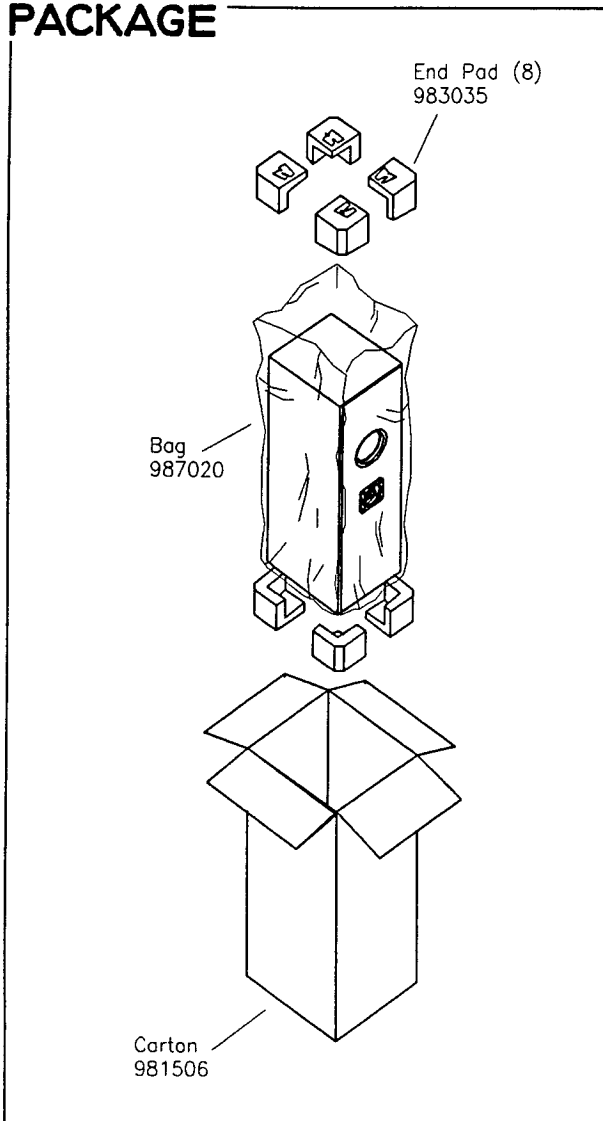
PHYSICAL SPECIFICATIONS:

- * Enclosure Dimensions (H.W.D): 33,8x10,2x12,4 in. D
(860x260x315mm D)
- * Shipping Weight: 35,2 lbs. (16 kg.)

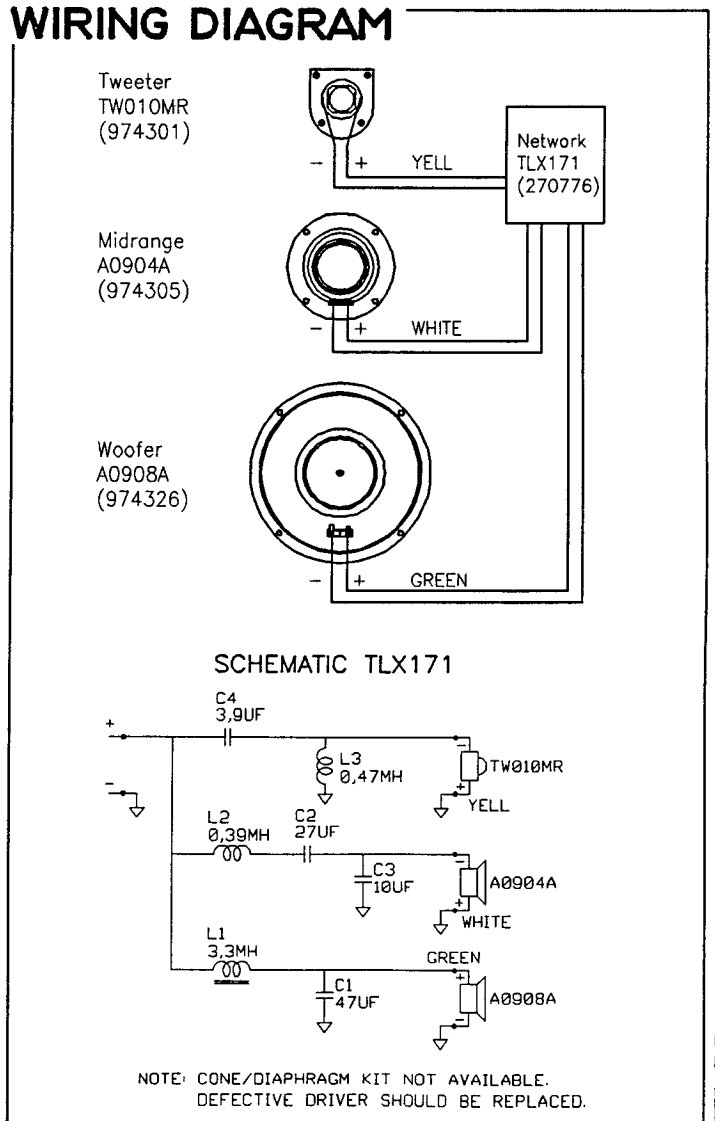
WARRANTY INFORMATION:

- * Refer to the Warranty Statement packed with each product

PACKAGE



WIRING DIAGRAM

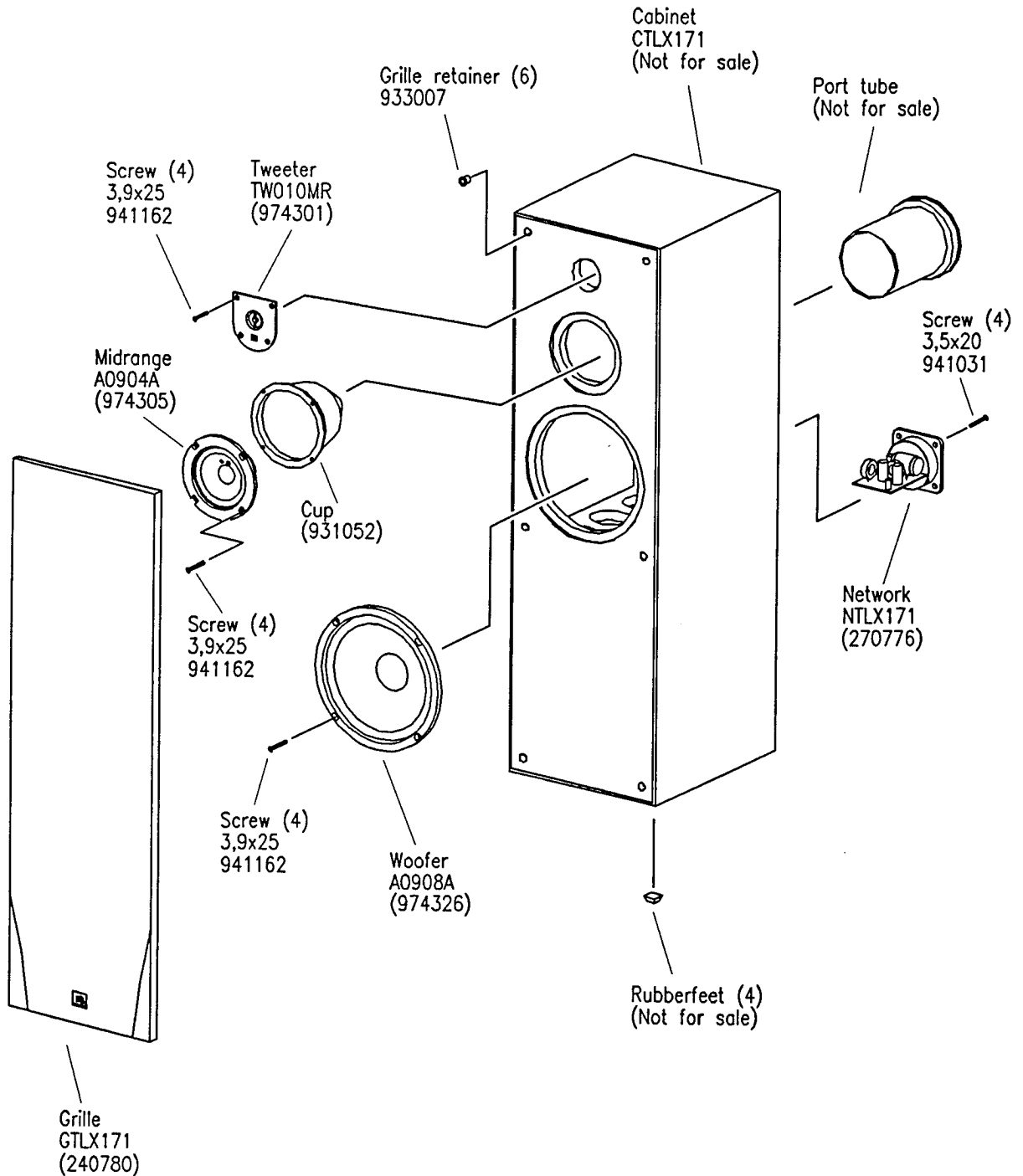


TLX171

Valid from serial no. 01001
Rev 28/9-1995

TLX171

COMPONENT EXPLODED VIEW



TLX171