

# TLX215



## SPECIFICATIONS

### ACOUSTIC & ELECTRICAL SPECIFICATIONS:

- \* Nominal Impedance: 8 ohm
- \* Recommended Amp Power: 10-120W
- \* Frequency Response: 60 Hz - 25 kHz (-6dB)
- \* Sensitivity: 90 dB / 2,83V / 1 m
- \* Crossover frequency: 700HZ / 2,5 kHz

### SYSTEM COMPONENTS:

- \* Cabinet: CTLX215 (Not for sale)
- \* Grille: GTLX215 (2407505)
- \* Woofer: HT170M-TLX1 170mm Woofer
- \* Midrange: HT110-TLX1 100mm Midrange  
Polymer laminate cone

### SYSTEM COMPONENTS: (cont'd)

- \* Tweeter: TW10MR 10mm
- \* Crossover Network: NTLX215 (2707500)

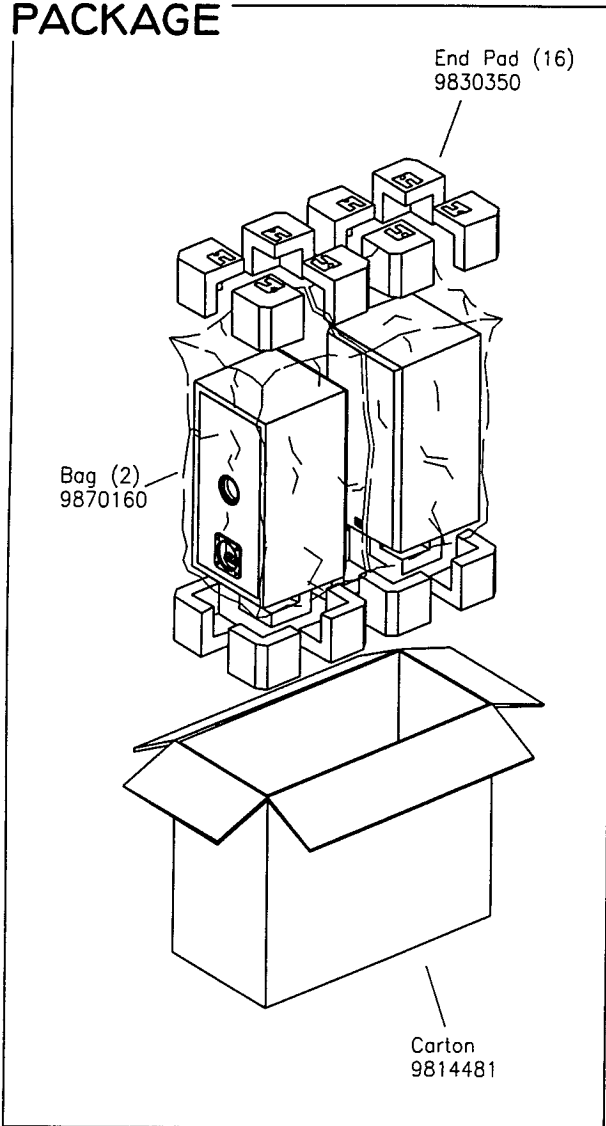
### PHYSICAL SPECIFICATIONS:

- \* Enclosure Dimensions (H.W.D): 18,1x9,5x9,3 in. D  
(460x240x237mm D)
- \* Shipping Weight: 16,5 lbs. (7,5 kg.)

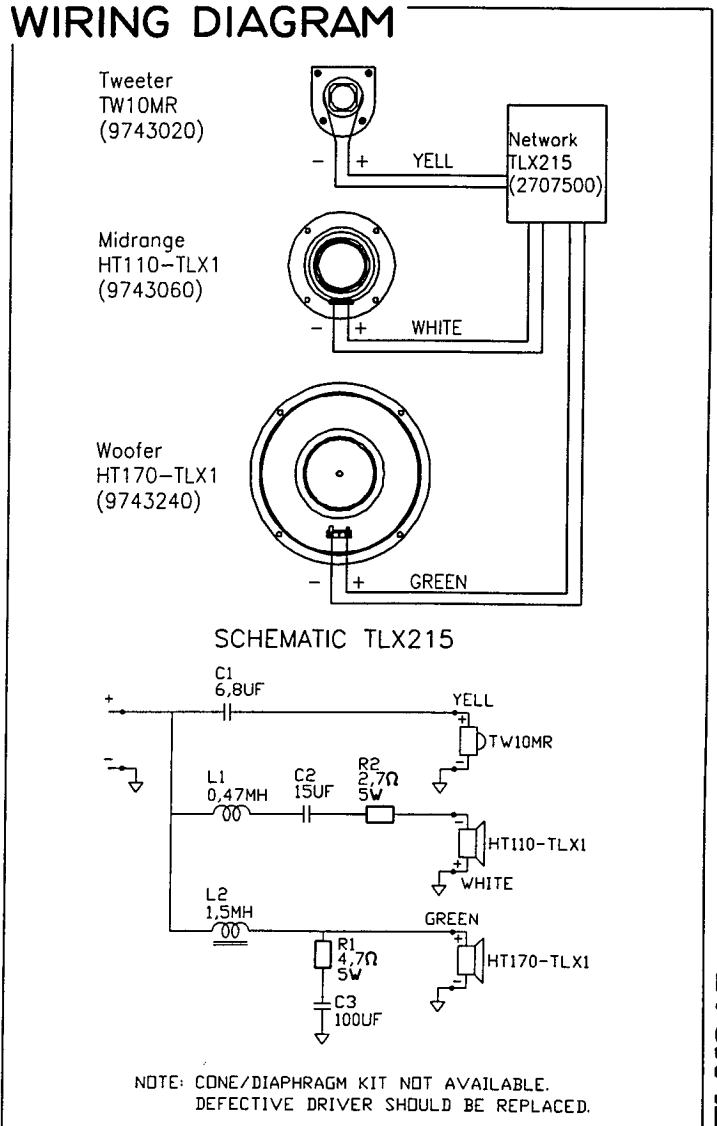
### WARRANTY INFORMATION:

- \* Refer to the Warranty Statement packed with each product

## PACKAGE



## WIRING DIAGRAM

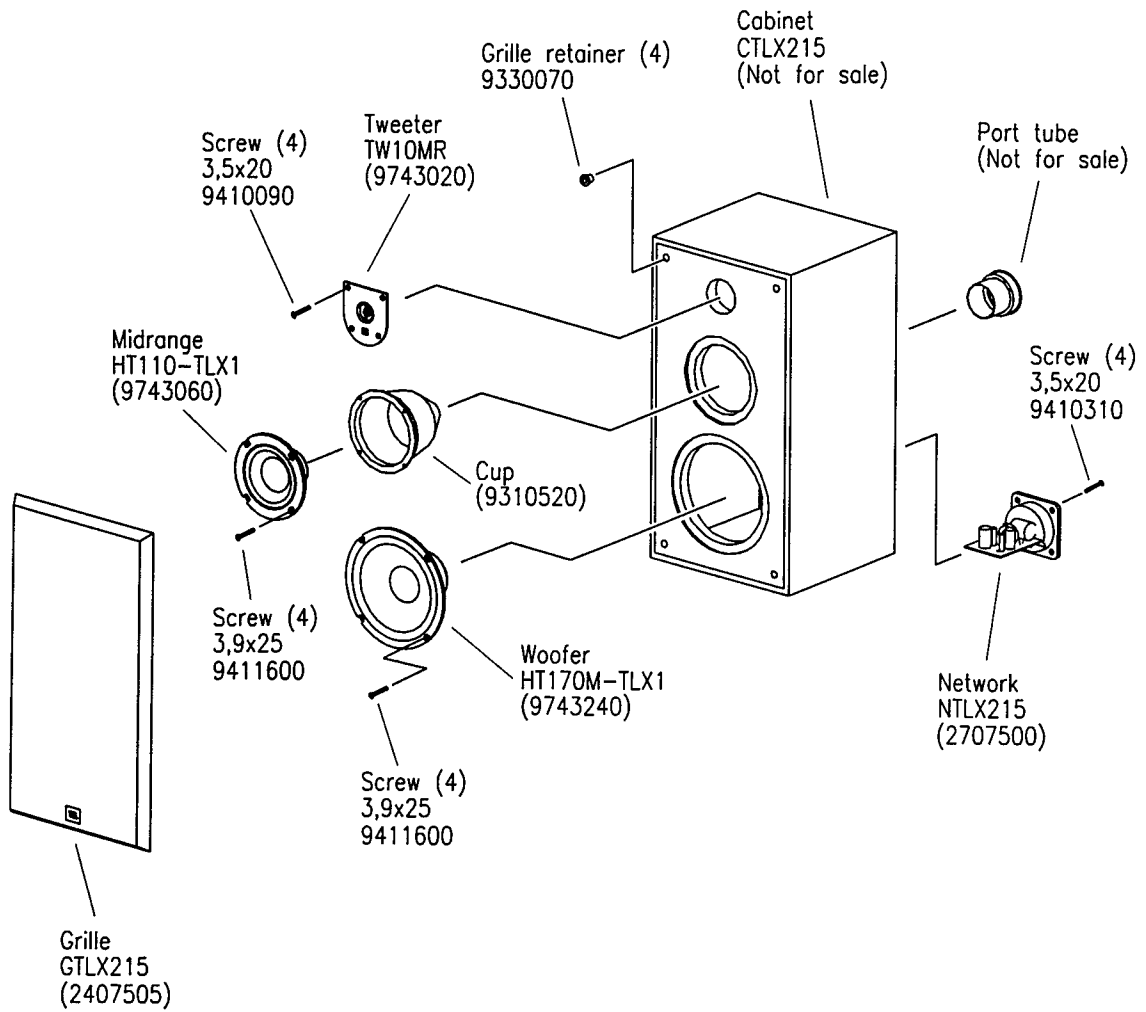


TLX215

Valid from serial no. 01001  
Rev. 8/1-1997

# TLX215

## COMPONENT EXPLODED VIEW



TLX215