

TLX255



SPECIFICATIONS

ACOUSTIC & ELECTRICAL SPECIFICATIONS:

- * Nominal Impedance: 4 ohm
- * Recommended Amp Power: 10-150W
- * Frequency Response: 50 Hz - 22 kHz (-6dB)
- * Sensitivity: 94 dB / 2,83V / 1 m
- * Crossover frequency: 900HZ / 4 kHz

SYSTEM COMPONENTS:

- * Cabinet: CTLX255 (Not for sale)
- * Grille: GTLX255 (2407525)
- * Woofer: AT170M-TLX3 170mm Woofer

SYSTEM COMPONENTS: (cont'd)

- * Tweeter: AW14MR 14mm Titanium Dome Tweeter
- * Crossover Network: NTLX255 (2707520)

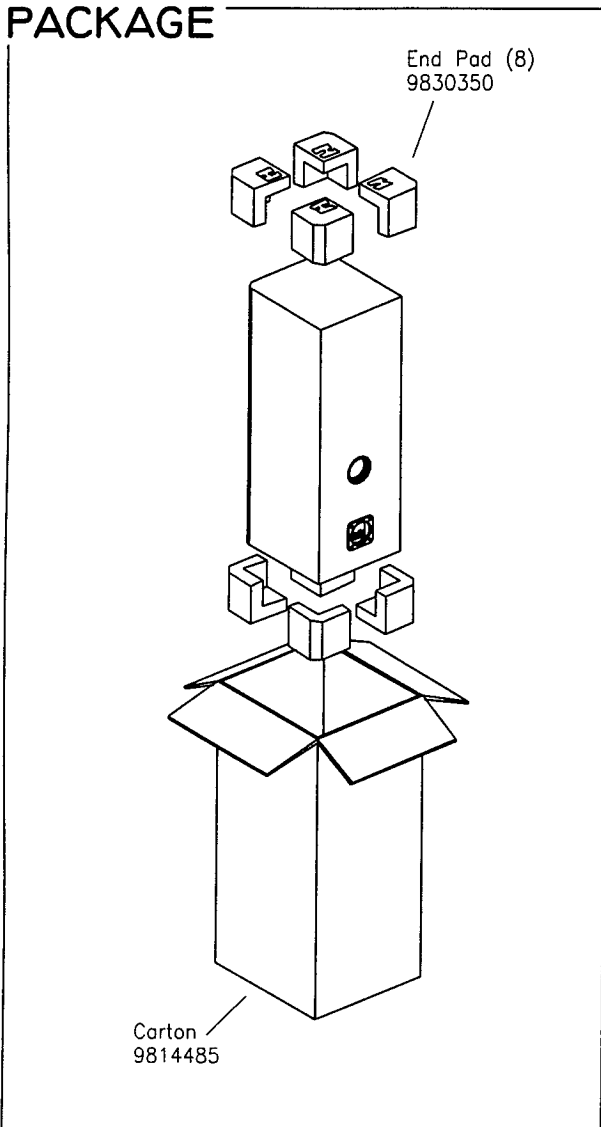
PHYSICAL SPECIFICATIONS:

- * Enclosure Dimensions (H.W.D): 28,7x10,2x12 in. D (730x260x306mm D)
- * Shipping Weight: 35 lbs. (16 kg.)

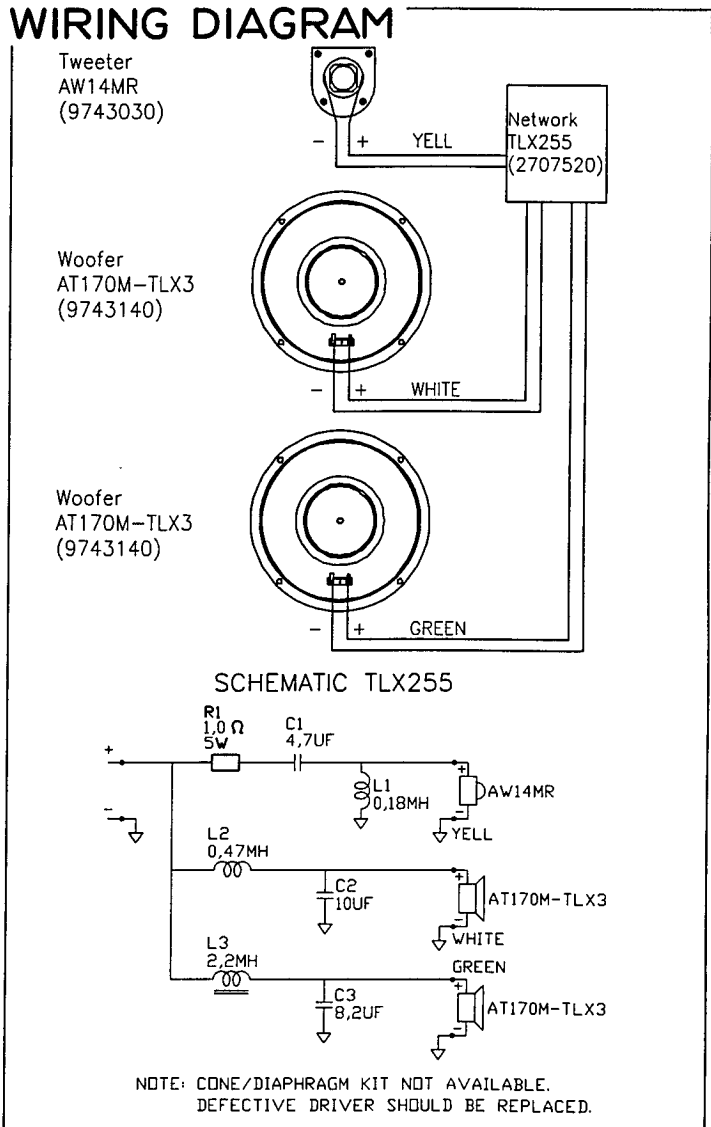
WARRANTY INFORMATION:

- * Refer to the Warranty Statement packed with each product

PACKAGE



WIRING DIAGRAM



TLX255

Valid from serial no. 01001
Rev. 14/1-1997

TLX255

COMPONENT EXPLODED VIEW

