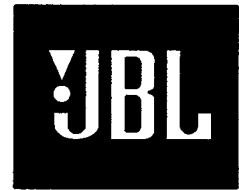


TLX275



SPECIFICATIONS

ACOUSTIC & ELECTRICAL SPECIFICATIONS:

- * Nominal Impedance: 8 ohm
- * Recommended Amp Power: 10-200W
- * Frequency Response: 30 Hz - 25 kHz (-6dB)
- * Sensitivity: 92 dB / 2,83V / 1 m
- * Crossover frequency: 600HZ / 3 kHz

SYSTEM COMPONENTS:

- * Cabinet: CTLX275 (Not for sale)
- * Grille: GTLX275 (2407530)
- * Woofer: A0110A 240mm Woofer
Polymer laminate cone
- * Midrange: A0102B 100mm Midrange

SYSTEM COMPONENTS: (cont'd)

- * Tweeter: TW10MR 10mm
- * Crossover Network: NTLX275 (2707760)

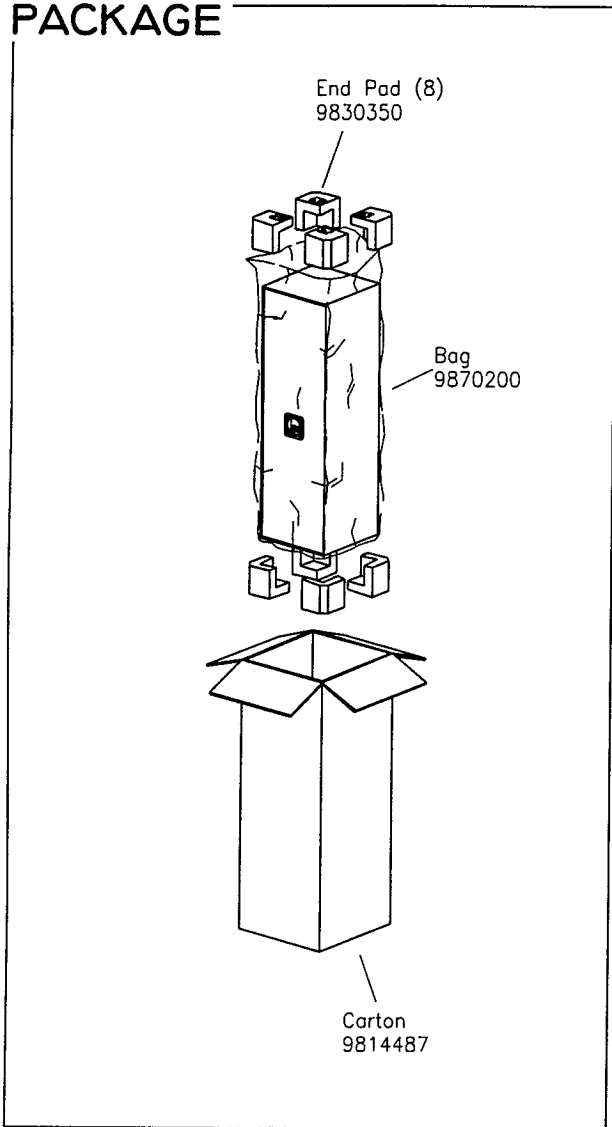
PHYSICAL SPECIFICATIONS:

- * Enclosure Dimensions (H.W.D): 37,4x11,8x12,4 in. D
(950x300x315mm D)
- * Shipping Weight: 43 lbs. (19.5 kg.)

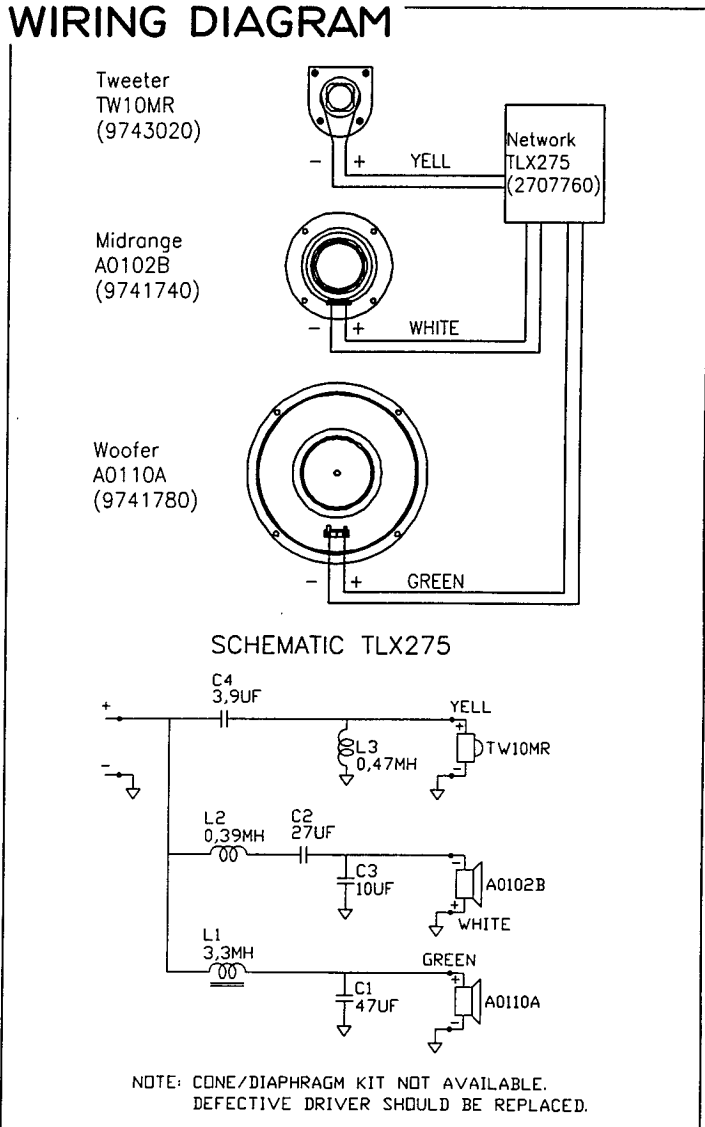
WARRANTY INFORMATION:

- * Refer to the Warranty Statement packed with each product

PACKAGE



WIRING DIAGRAM

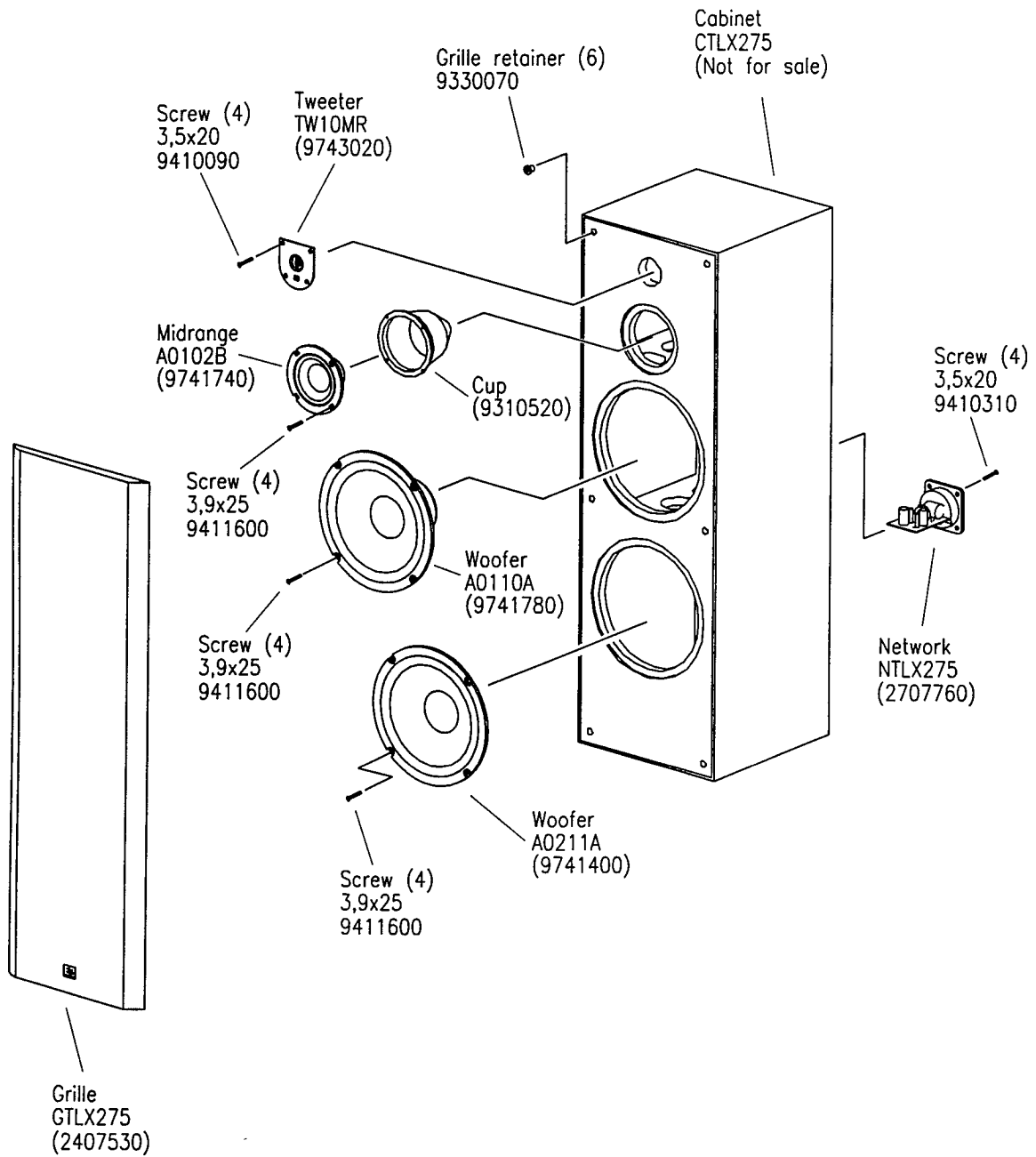


TLX275

Valid from serial no. 01001
Rev. 20/1-1997

TLX275

COMPONENT EXPLODED VIEW



TLX275