



JBL XPL160A

SPECIFICATIONS

ACOUSTIC & ELECTRICAL SPECIFICATIONS:

- Nominal Impedance: 6 ohm
- Max Recommended Amplifier Power: 600W
- Frequency Response: 40 Hz to 25 kHz ± 6 dB
- Sensitivity: 90 dB SPL*
- Crossover Frequencies: 800 Hz, 4 kHz

SYSTEM COMPONENTS:

- Cabinet: CXPL160A (Not For Sale)
- Grille: GXPL160
- Low Frequency Transducer: 127H-1 (10 in.) 250mm Composite Cone Transducer

*1 Watt (2.83 V RMS) @ 1 Meter

SYSTEM COMPONENTS: (cont'd)

- Mid Frequency Transducer: 093Ti (3 in.) 75mm Pure Titanium Dome
- High Frequency Transducer: 046Ti-1 (1 in.) 25mm Pure Titanium Dome
- Crossover Network: NXPL160A

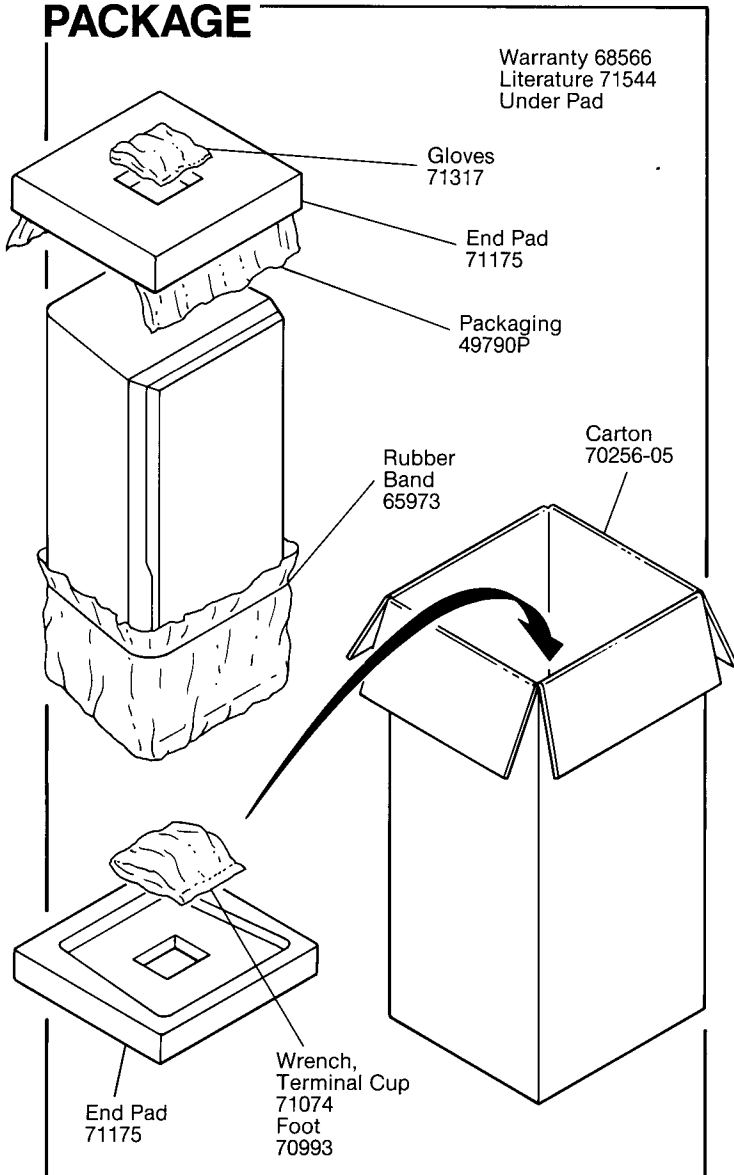
PHYSICAL SPECIFICATIONS:

- Enclosure Dimensions: 841mm x 375mm x 327mm D (33.12 x 14.75 x 12.87 in. D)
- Shipping Weight: 62 lbs. (28.12 kg) Each

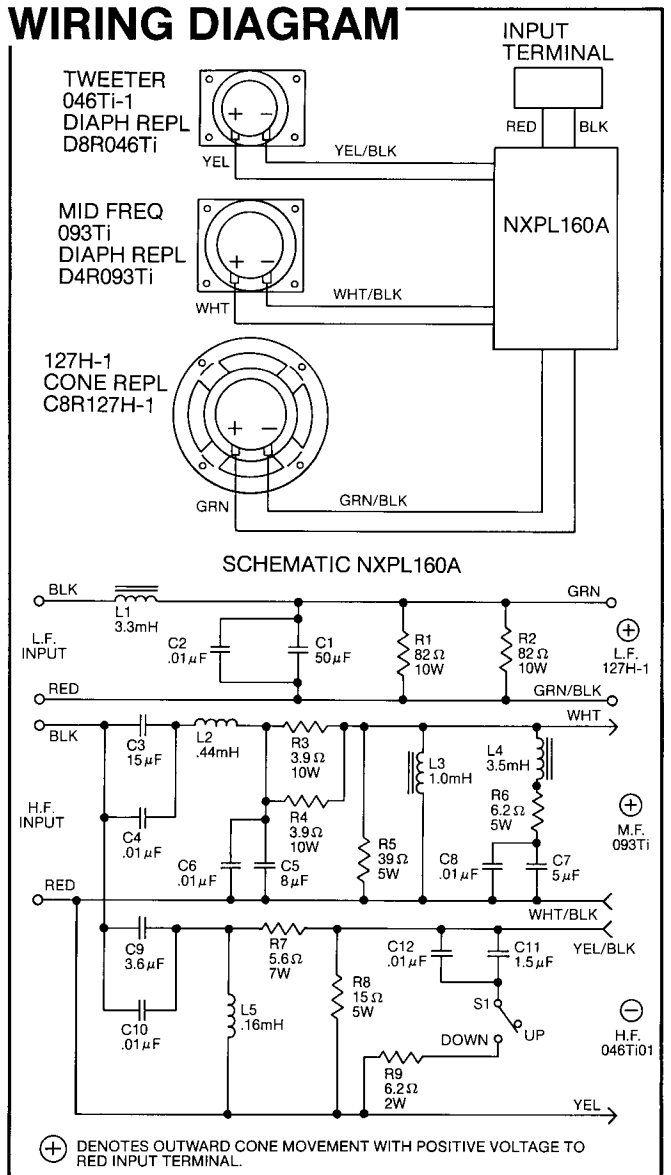
WARRANTY INFORMATION:

- Refer to the Warranty Statement packed with each product.

PACKAGE



WIRING DIAGRAM

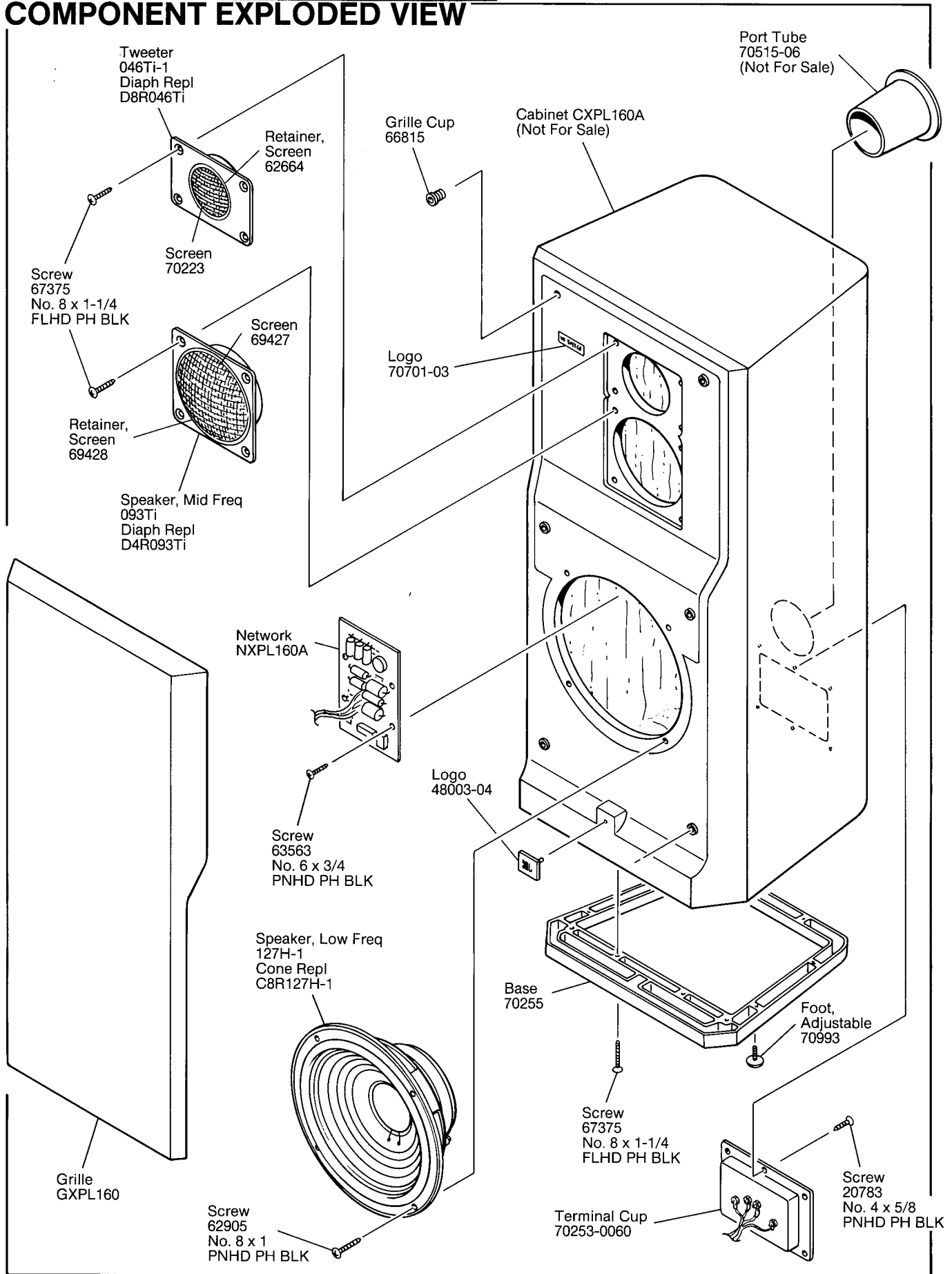


JBL XPL160A REV A

DRIVER	TEST VOLTAGE	SWEEP FREQUENCY	GAP GAUGE	DCR MIN-MAX.
046Ti-1	2.83	2KHZ-20KHZ	.031"	3.5-4.2 OHMS
093Ti	6	100HZ-20KHZ	.048"	3.8-4.2 OHMS
127H-1	6	20HZ-1.5KHZ	.053"	5.5-6.5 OHMS

JBL XPL160A

COMPONENT EXPLODED VIEW



JBL XPL160A