



JBL XPL90A

SPECIFICATIONS

ACOUSTIC & ELECTRICAL SPECIFICATIONS:

- Nominal Impedance: 6 ohm
- Max Recommended Amplifier Power: 400W
- Frequency Response: 50 Hz to 25 kHz ± 6 dB
- Sensitivity: 87 dB SPL*
- Crossover Frequencies: 3 kHz

SYSTEM COMPONENTS:

- Cabinet: CXPL90A (Not For Sale)
- Grille: GXPL90
- Low Frequency Transducer: 115H-1 (6.5 in.) 165mm Filled Polypropolene Transducer

SYSTEM COMPONENTS: (cont'd)

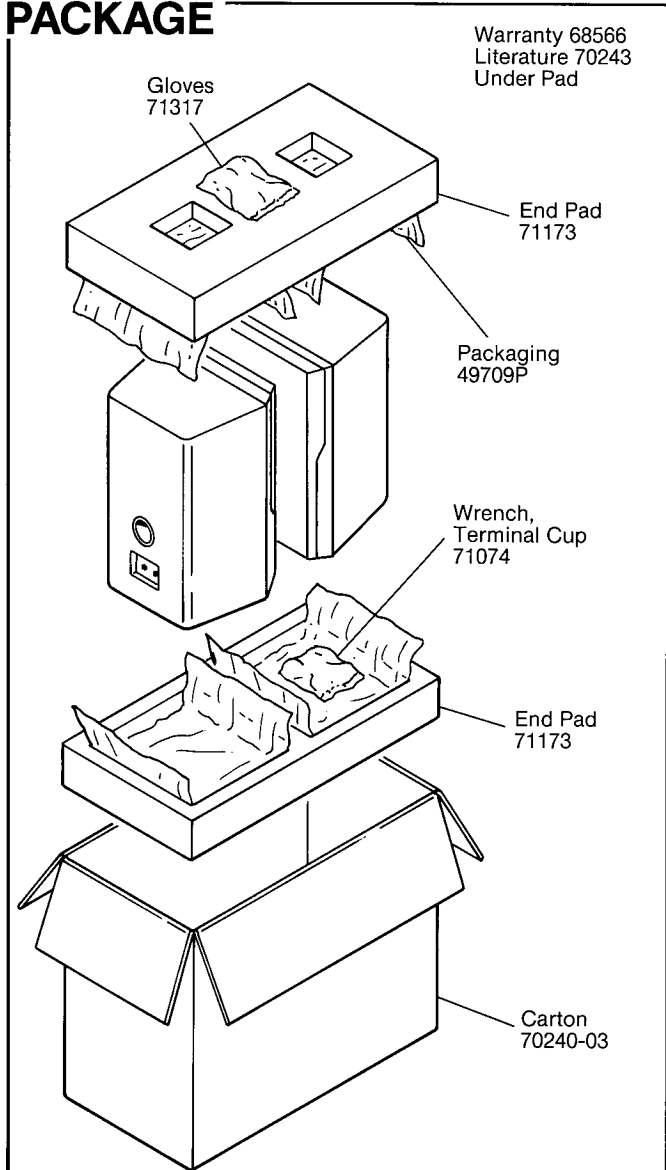
- High Frequency Transducer: 046Ti (1 in.) 25mm Pure Titanium Dome
- Crossover Network: NXPL90A
- Enclosure Dimensions: 394mm x 241mm x 248mm D (15.5 x 9.5 x 9.75 in. D)
- Shipping Weight: 40 lbs. (18.14 kg) Pair

WARRANTY INFORMATION:

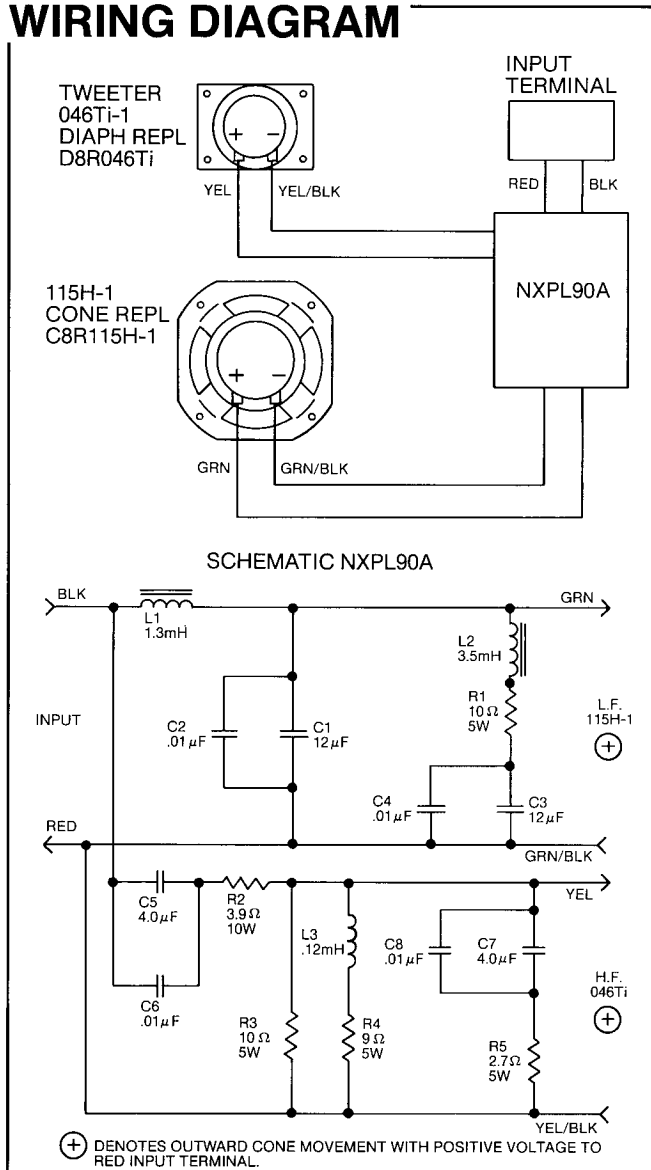
- Refer to the Warranty Statement packed with each product.

*1 Watt (2.83 V RMS) @ 1 Meter

PACKAGE



WIRING DIAGRAM



JBL XPL90A REV A

DRIVER	TEST VOLTAGE	SWEEP FREQUENCY	GAP GAUGE	DCR MIN-MAX.
046Ti-1	2.83	2KHZ-20KHZ	.031"	3.5-4.2 OHMS
115H-1	6	20HZ-1.2KHZ	.057"	3.8-4.6 OHMS

JBL XPL90A

COMPONENT EXPLODED VIEW

