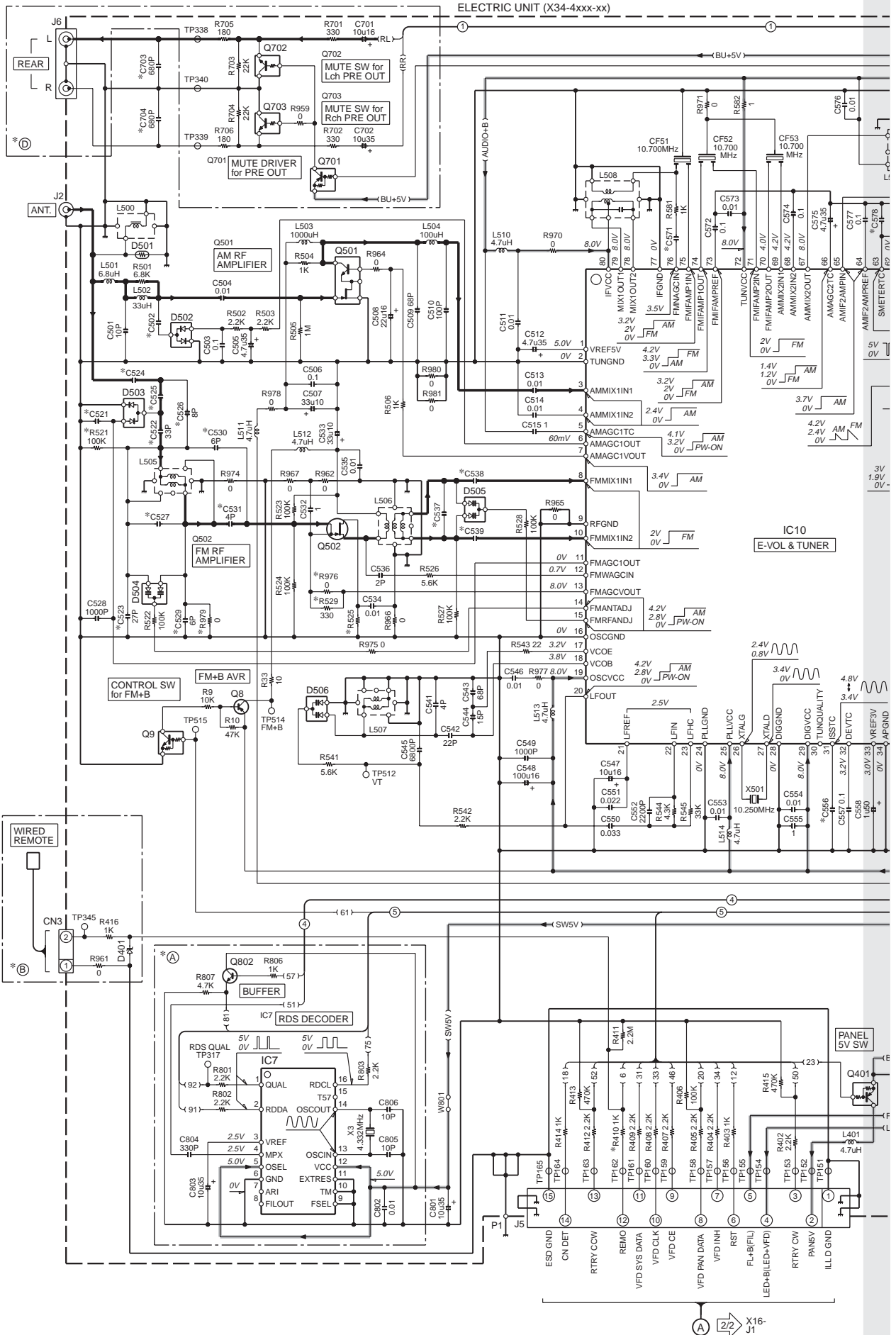
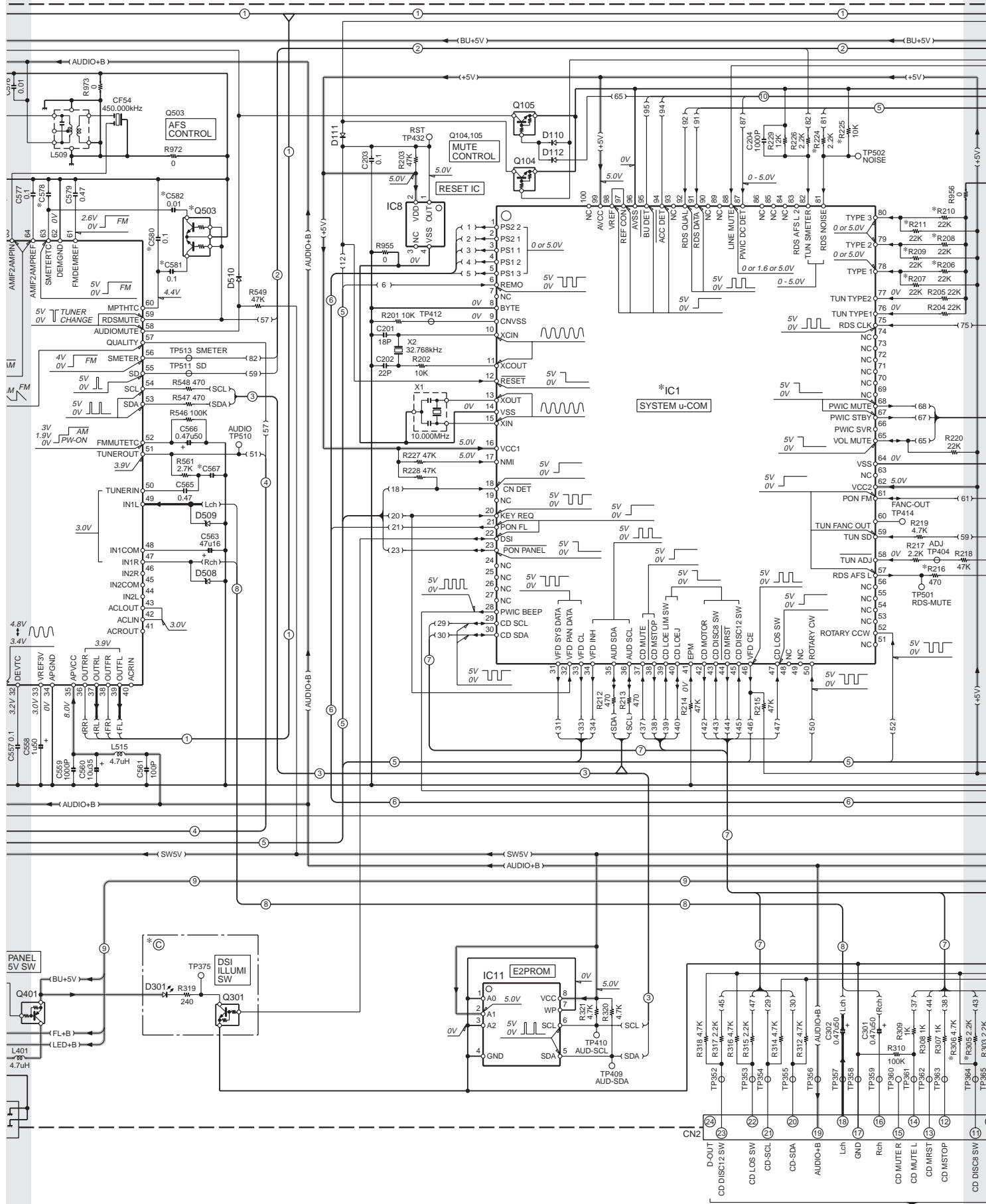


KDC-W40GY/W434A
KDC-W434G/W434GY

ELECTRIC UNIT (X34-4xxx-xx)

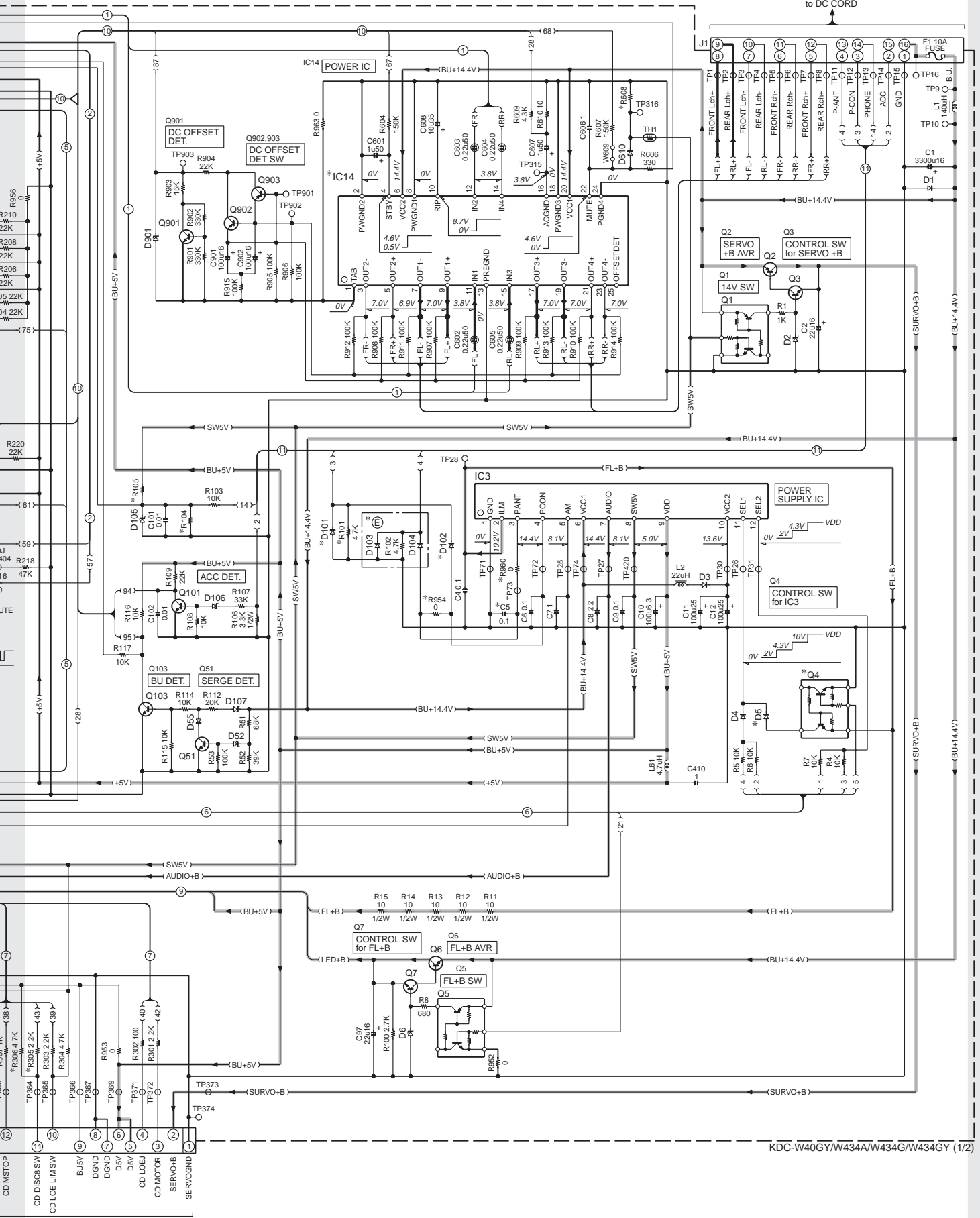


KDC-W40GY/W434A KDC-W434G/W434GY



to MECHANISM ASS'Y

KDC-W40GY/W434A
KDC-W434G/W434GY

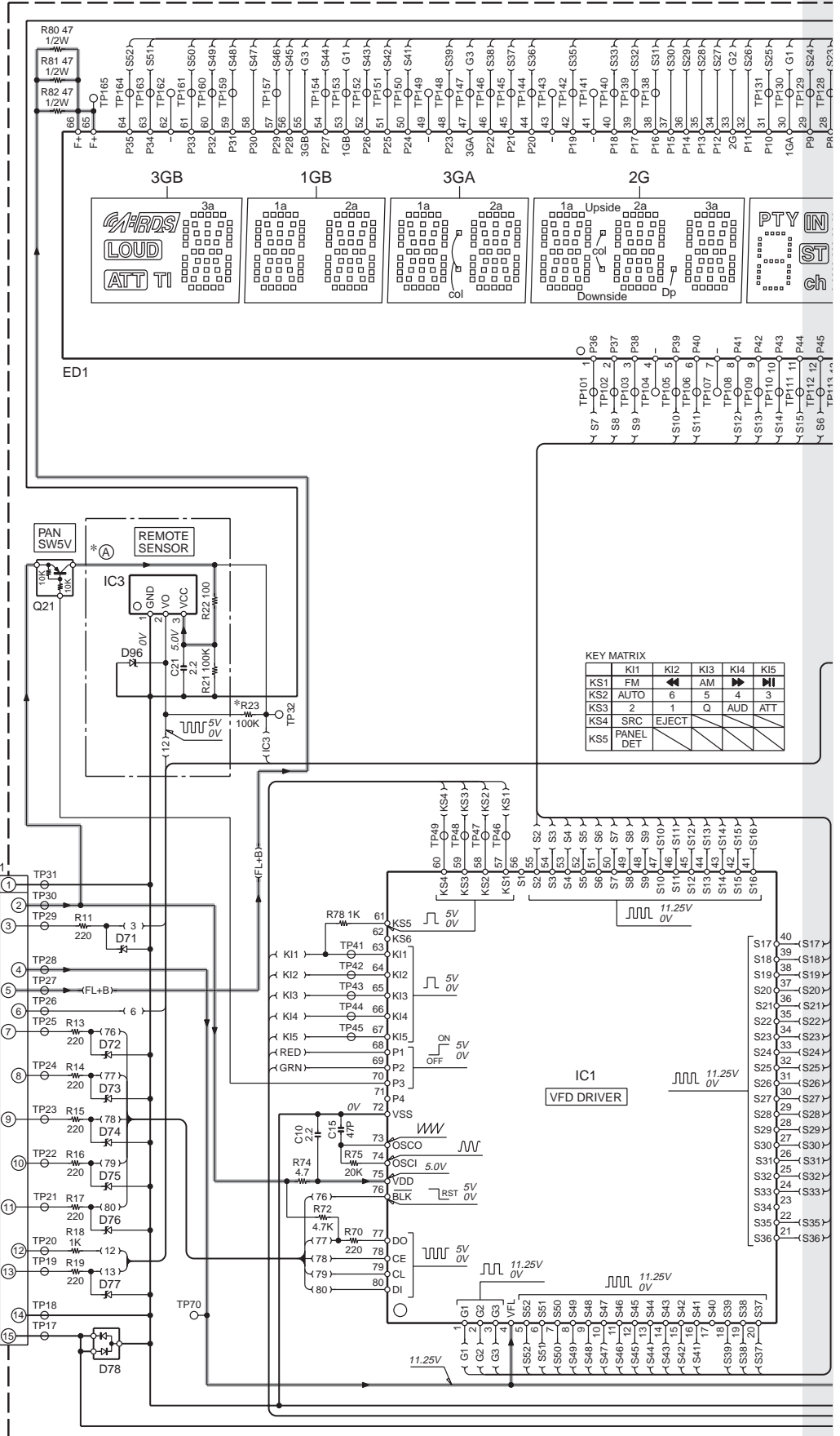


KDC-W40GY/W434A/W434G/W434GY (1/2)

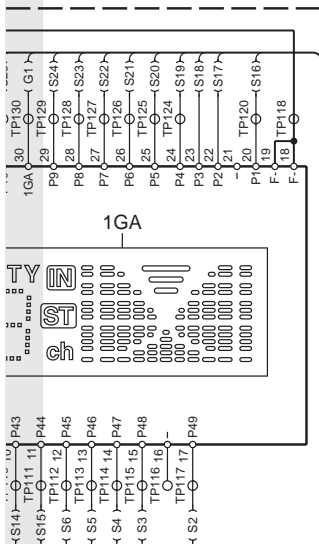
ANODE CONNECTION

PIN NAME	3GA,3GB	2G	1GA,1GB
P1	—	col (Downside)	S1
P2	2d	2d	2d
P3	1d	1d	1d
P4	2n	2n	2n
P5	1n	1n	1n
P6	2p	2p	2p
P7	1p	1p	1p
P8	2r	2r	2r
P9	1r	1r	1r
P10	2e	2e	2e
P11	1e	1e	1e
P12	2c	2c	2c
P13	1c	1c	1c
P14	2g	2g	2g
P15	1g	1g	1g
P16	2m	2m	2m
P17	1m	1m	1m
P18	2f	2f	2f
P19	1f	1f	1f
P20	2a	2a	2a
P21	1a	1a	1a
P22	2h	2h	2h
P23	1h	1h	1h
P24	2j	2j	2j
P25	1j	1j	1j
P26	2k	2k	2k
P27	1k	1k	1k
P28	2b	2b	2b
P29	1b	1b	1b
P30	3A/HS	col (Upside)	S2
P31	LOUD	—	S3
P32	ATT	—	S4
P33	TI	—	S5
P34	—	—	S6
P35	col	Dp	S7
P36	3d	3d	S8
P37	3n	3n	S9
P38	3p	3p	S10
P39	3r	3r	PTY
P40	3e	3e	IN
P41	3c	3c	ST
P42	3g	3g	ch
P43	3m	3m	d
P44	3f	3f	e
P45	3b	3b	c
P46	3k	3k	g
P47	3j	3j	f
P48	3h	3h	b
P49	3a	3a	a

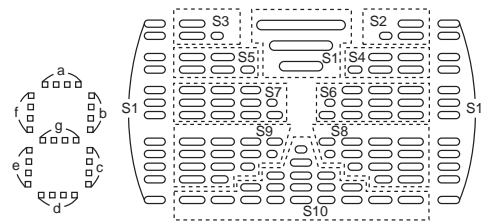
SWITCH UNIT (X16-350x-xx)



KDC-W40GY/W434A KDC-W434G/W434GY



(3GB/1GB/3GA/2G)

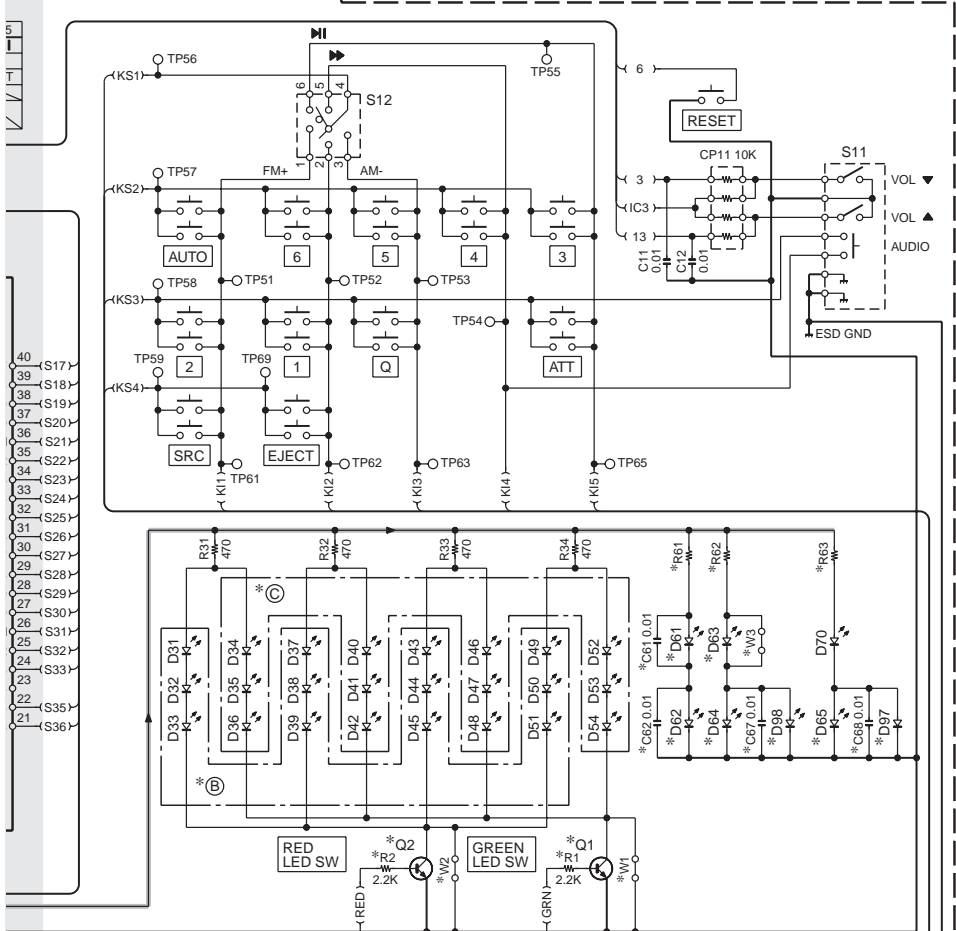


(1GA)

(X16-350x-xx)

MODEL NAME	DESTINATION	UNIT No.	(A)	(B)	(C)	C61,62,67,68	D61,62	D63-65	D97,98	Q1,2	R1,2	R23	R61	R62	R63	W1	W2	W3
E212/S	JJ1	0-01	—	—	B30-1575-05	YES	B30-1729-05	—	B30-1729-05	—	—	YES	300	680	470	YES	—	YES
E313S	J2	—	—	—	—	—	—	—	—	—	—	—	—	—	—	—	—	—
KDC-232MR	K2	0-11	—	YES	—	YES	B30-1729-05	—	B30-1729-05	—	—	YES	300	680	470	—	YES	YES
KDC-MP202	K1	2-72	—	YES	—	—	B30-1567-05	—	B30-1567-05	—	—	—	—	—	—	—	—	—
KDC-MP2032	K	0-10	YES	YES	—	YES	B30-1729-05	—	B30-1729-05	—	—	—	—	—	—	—	—	—
KDC-MP2032CR	K2	0-21	YES	—	B30-1533-05	—	B30-1533-05	YES	—	—	—	—	—	—	—	620	620	680
KDC-MP232	K1	0-10	YES	YES	—	YES	B30-1729-05	—	B30-1729-05	—	—	—	—	—	—	—	—	—
KDC-MP333/RC	M1/M3	0-21	YES	—	B30-1533-05	—	B30-1533-05	YES	—	—	—	—	—	—	—	620	620	680
KDC-MP4033/S	M1/M2	0-22	YES	—	B30-1533-05	YES	B30-1729-05	—	B30-1729-05	—	—	—	—	—	—	300	680	470
KDC-MP433	M2	0-21	YES	—	B30-1533-05	—	B30-1533-05	YES	—	—	—	—	—	—	—	—	—	—
KDC-MP4533	M3	0-22	YES	—	B30-1533-05	YES	B30-1729-05	—	B30-1729-05	—	—	—	—	—	—	300	680	470
KDC-3034A/Y	E2/E4	2-72	—	YES	—	—	B30-1567-05	—	B30-1567-05	—	—	—	YES	680	820	680	—	YES
KDC-3034G/Y	E3/E5	2-73	—	—	B30-1533-05	—	B30-1533-05	YES	—	—	—	—	YES	620	620	680	YES	—
KDC-W40GY	E9	2-73	—	—	B30-1533-05	—	B30-1533-05	YES	—	—	—	—	YES	620	620	680	YES	—
KDC-W4034A/Y	E/E2	2-72	—	YES	—	—	B30-1567-05	—	B30-1567-05	—	—	—	YES	680	820	680	—	YES
KDC-W4034G/Y	E1/E3	2-73	—	—	B30-1533-05	—	B30-1533-05	YES	—	—	—	—	YES	620	620	680	YES	—
KDC-W410A/Y	E4/E6	2-72	—	YES	—	—	B30-1567-05	—	B30-1567-05	—	—	—	YES	680	820	680	—	YES
KDC-W410G/Y	E5/E7	2-73	—	—	B30-1533-05	—	B30-1533-05	YES	—	—	—	—	YES	620	620	680	YES	—
KDC-W434A	E6	2-72	—	YES	—	—	B30-1567-05	—	B30-1567-05	—	—	—	YES	680	820	680	—	YES
KDC-W434G/Y	E7/E8	2-73	—	—	B30-1533-05	—	B30-1533-05	YES	—	—	—	—	YES	620	620	680	YES	—
KDC-W4534Y	E1/E2	2-71	—	YES	B30-1533-05	YES	B30-1729-05	—	B30-1729-05	YES	YES	YES	300	680	470	—	—	—

- ED1 : HNR-03SS09T D31-33,37-39,43-45,49-51,70
- IC1 : LC75756W : B30-1567-05
- IC3 : PNA4S22M02KW D34-36,40-42,46-48,52-54
- Q1,2 : 2SC5383(E,F) D61-65 : *
- Q21 : RT1P141U D71-77 : UDZS5.6B
- D78 : DA204U
- D96 : UDZS5.6B
- D97,98 : *



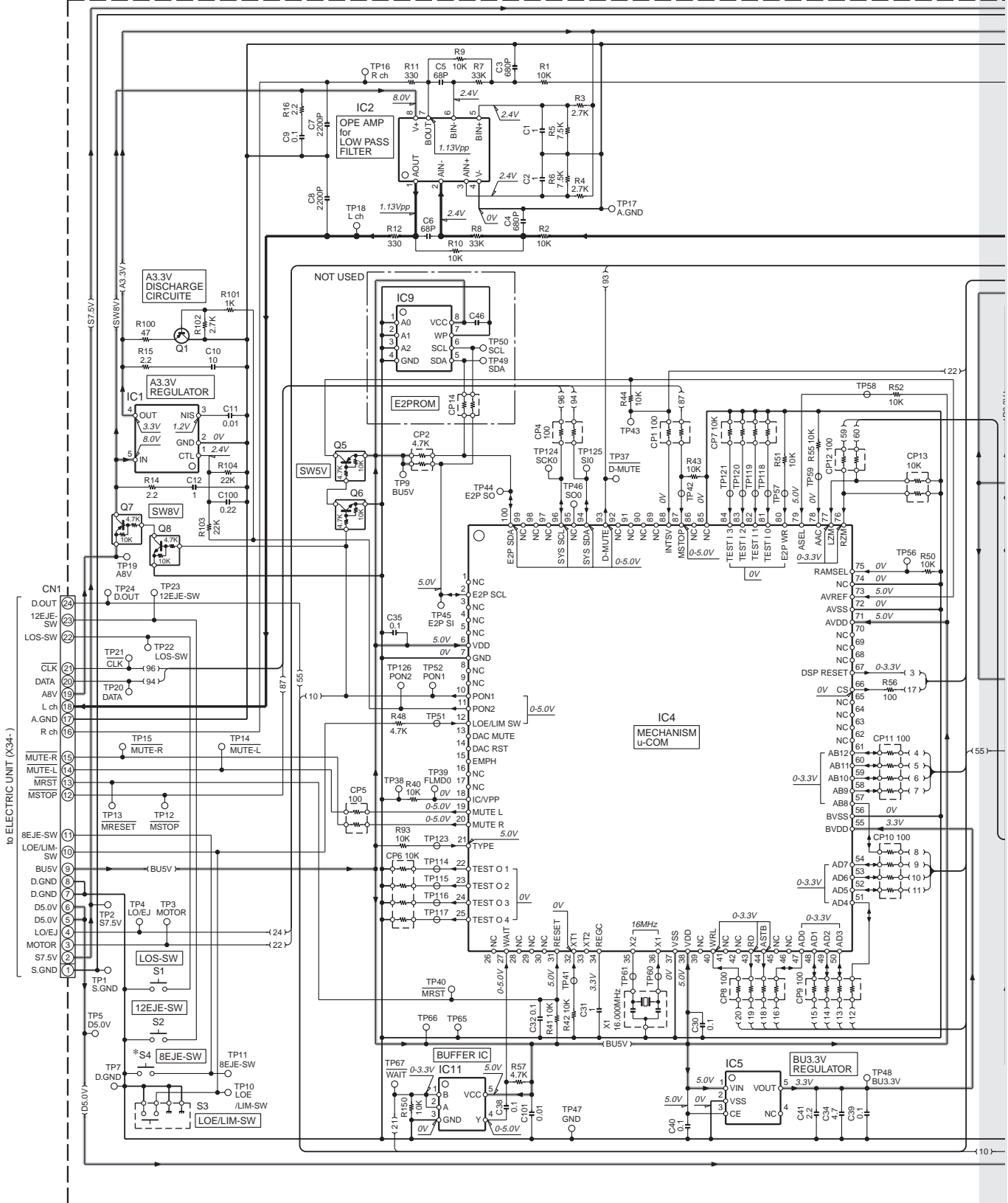
CAUTION : For continued safety, replace safety critical components only with manufacturer's recommended parts (refer to parts list).
 ⚠ Indicates safety critical components. To reduce the risk of electric shock, leakage-current or resistance measurements shall be carried out (exposed parts are acceptably insulated from the supply circuit) before the appliance is returned to the customer.

- DC voltages are as measured with a high impedance voltmeter. Values may vary slightly due to variations between individual instruments or/and units.

KDC-W40GY/W434A/W434G/
W434GY (2/2)

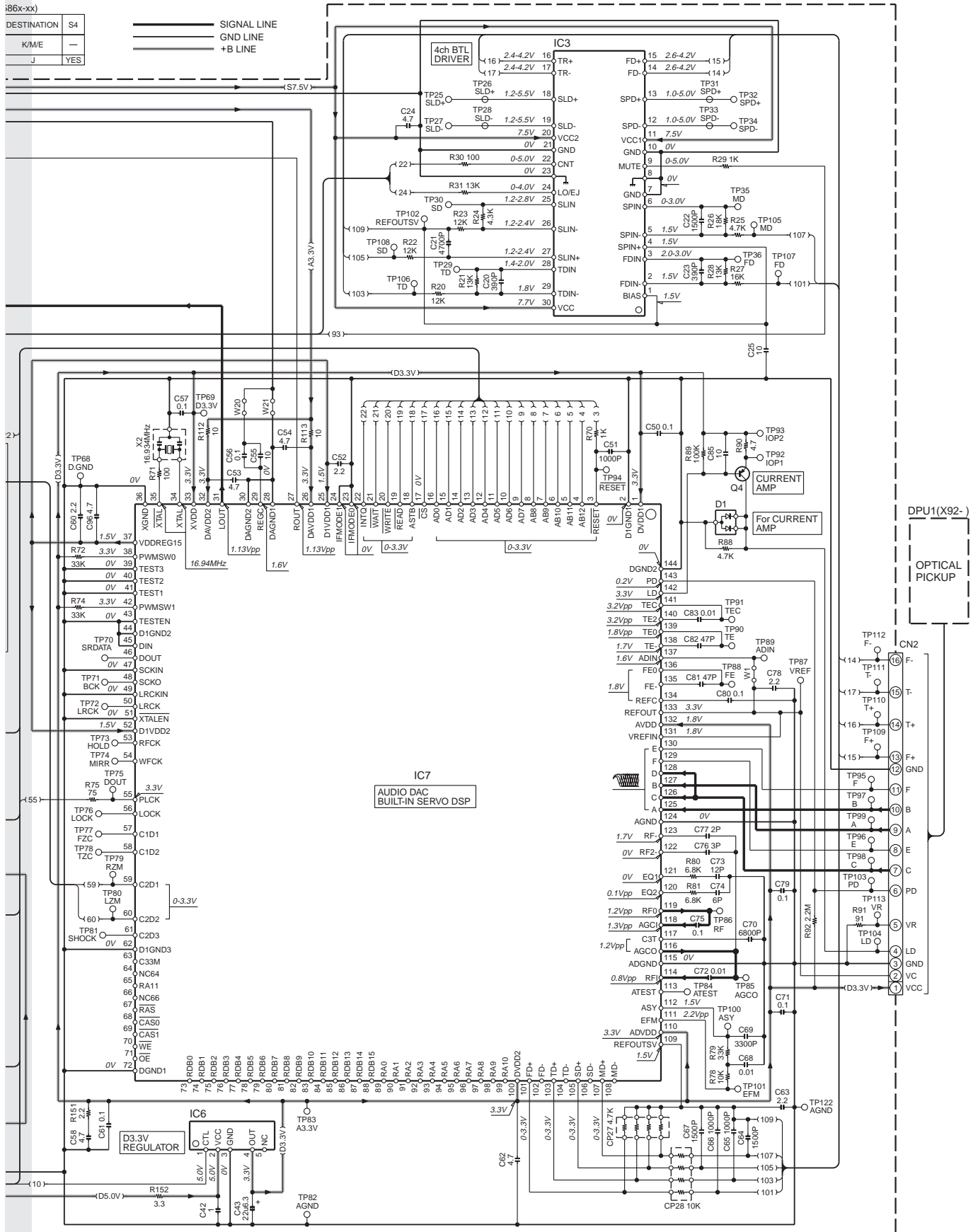
IC1 : TAR5S33-F	IC7 : UPD63763CGJ	D1 : DAP202U	(X32-586x-xx)
IC2 : NJM4580V-ZB	IC9 : NOT USED	Q1 : 2SA1576A	UNIT No.
IC3 : BA5324FP	IC11 : TC7SET32FU-F	Q4 : 2SB0970	DESTINATION
IC4 : 703030BYGCJ21A		Q5,7 : DTA143XUA	0-00
IC5 : XC6219B332MR		Q6,8 : DTC143XUA	0-02
IC6 : BA33BC0WFP			0-01
			J

CD PLAYER UNIT (X32-5860-0x)



CAUTION : For continued safety, replace safety critical components only with manufacturer's recommended parts (refer to parts list).
 ⚠ Indicates safety critical components. To reduce the risk of electric shock, leakage-current or resistance measurements shall be carried out (exposed parts are acceptably insulated from the supply circuit) before the appliance is returned to the customer.

186x-xx)	
DESTINATION	S4
K/M/E	—
J	YES



- DC voltages are as measured with a high impedance voltmeter. Values may vary slightly due to variations between individual instruments or/and units.