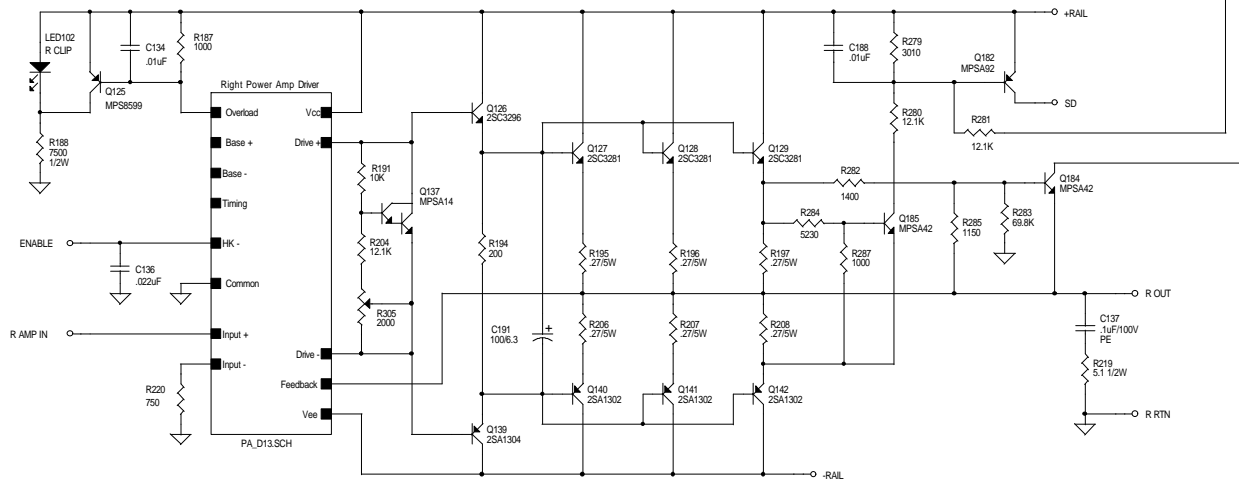
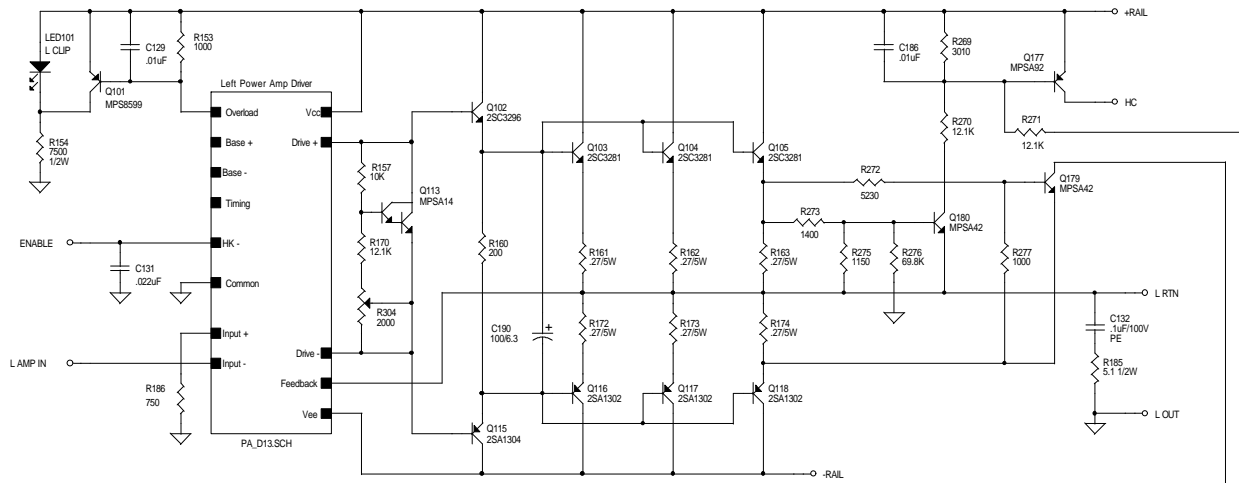
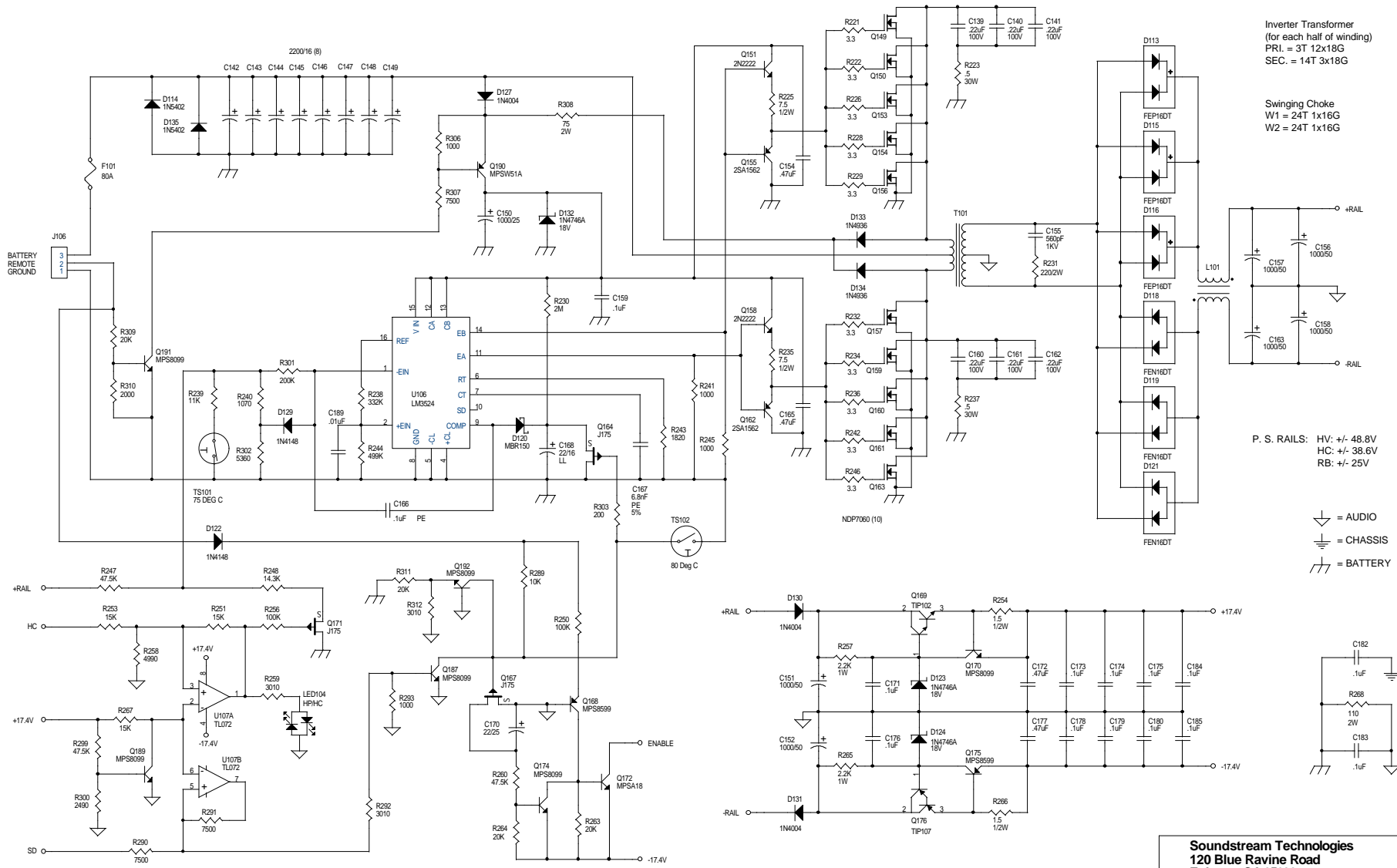


|   |                                |     |
|---|--------------------------------|-----|
| <b>Soundstream Technologies</b><br>120 Blue Ravine Road<br>Folsom, CA 95630 |                                |     |
| Title<br>Rubicon 1002 Preamp  |                                |     |
| Size<br>Custom  | Document Number<br>7400-001-06 | Rev |
| Date: Thursday, February 12, 1998   | Sheet 1 of 3                   |     |



|   |                                 |     |
|---|---------------------------------|-----|
| <b>Soundstream Technologies</b><br>120 Blue Ravine Road<br>Folsom, CA 95630 |                                 |     |
| Title<br>Rubicon 1002 Power Amps  |                                 |     |
| Size<br>Custom  | Document Number<br>7400-0001-06 | Rev |
| Date: Thursday, February 12, 1998   | Sheet 2 of 3                    |     |

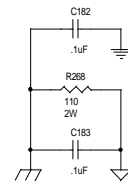


Inverter Transformer  
(for each half of winding)  
PRI. = 3T 12x18G  
SEC. = 14T 3x18G

Swinging Choke  
W1 = 24T 1x16G  
W2 = 24T 1x16G

P. S. RAILS: HV: +/- 48.8V  
HC: +/- 38.6V  
RB: +/- 25V

- ⏏ = AUDIO
- ⏏ = CHASSIS
- ⏏ = BATTERY



|   |                                |     |
|---|--------------------------------|-----|
| <b>Soundstream Technologies</b><br>120 Blue Ravine Road<br>Folsom, CA 95630 |                                |     |
| Title<br>Rubicon 1002 Power Supply  |                                |     |
| Size<br>Custom  | Document Number<br>7400-001-06 | Rev |
| Date: Tuesday, September 22, 1998   | Sheet 3 of 3                   |     |